



0910 ASL 134

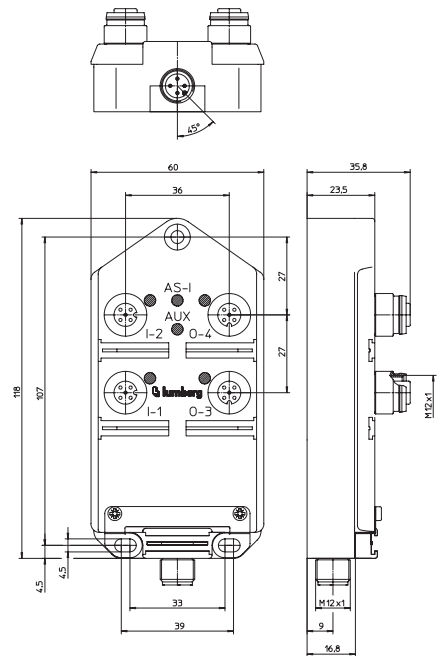


AS-Interface Module with 2-Digital Inputs and 2-Digital Outputs

2 IN / 2 OUT

AS-Interface module with 2 digital inputs to connect standard sensors and 2 digital outputs to connect standard actuators, combined M12 socket, M12 bus connection.

- Replaces module 0910 ASL 110 -




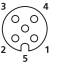
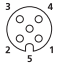
Bit Assignment

Bit	-	-	-	-	3	2	1	0
M12 Input								
Byte 0	-	-	-	-	-	-	I-2	I-1/2
M12 Output								
Byte 0	-	-	-	-	O-4	O-3	-	-

Diagnostic Indication

LED	Indication	Condition
0-1..4 / 0-3..4	yellow	channel status
U-AS-i	green	AS-Interface power supply active
AUX	green	actuator supply active

Pin Assignments

Bus connection M12	Input M12	Output M12
 <p>1 = AS-Interface + 2 = 0 V AUX 3 = AS-Interface - 4 = +24 V AUX</p>	 <p>1 = +24 V 2 = IN 3 = GND (0 V) 4 = IN 5 = n.c.</p>	 <p>1 = n.c. 2 = n.c. 3 = GND (0 V) 4 = OUT 5 = earth</p>



Be Certain with Belden

AS-Interface Module with 2-Digital Inputs and 2-Digital Outputs

0910 ASL 134

Technical Data

Environmental

Degree of protection	IP 67
Operating temperature range	-25°C (-13°F) to +80°C (+176°F)
Weight	200 g
Housing material	PUR

Bus system

AS-Interface profile	AS-Interface Version 2.1
I/O configuration	S 3.F.E
ID code	3 hex
ID2 code (extended ID-code)	0 hex
Support A/B addressing	F hex
	no

Electronics power supply

Rated voltage	AS-Interface
Voltage range	AS-Interface net
Power consumption	26.5–31.6 V DC
Reverse polarity protection	max. 250 mA
Indication	yes
	LED green

Input power supply

Voltage range (AS-Interface net)	17–30 V
Total current of all sensors	max. 200 mA
Short circuit-proof	yes

Inputs

Rated input voltage	Type 2 acc. to IEC 61131-2
Signal state "1"	24 V DC
Signal state "0"	Us > 11 V / Is > 6 mA
Input current at 24 V	Is < 2 mA
Input circuit	15 mA
Number of digital channels	p-switching
Channel status indicator	2
	LED yellow per channel

Output power supply

Rated voltage	AUX
Voltage range	24 V DC
Potential separation	10–30 V
Reverse polarity protection	present
Indication	yes/electronic
	LED green

Outputs

Rated output current	Type 2 A acc. to IEC 61131-2
Short circuit-proof	2 A per channel
Max. output current	yes
Overload-proof	4 A per module
Number of digital channels	yes
Channel type N.O.	2
Channel status indicator	p-switching
	LED yellow per channel

Diagnostic

Indication	LED red
------------	---------

Connection via cordset, double-ended

M12 / M12	0915 034 101/... M
-----------	--------------------

Included in delivery / Accessories

Dust covers M12	2 pieces
Attachable label	10 pieces

Part Number

0910 ASL 134



The application of these products in harsh environments should always be checked before use. Specifications subject to alteration.