



Important notes about Classic Panel Mount Indicator Catalog Pages

SCROLL DOWN TO VIEW CATALOG PAGE

This catalog page is out-of-print and is used with the understanding that the information shown could be out-of-date. In many cases, part numbers shown on this page are discontinued. Most notably, many "Complete Assembly" parts, which consist of a cap and a base, can no longer be ordered by the 14-digit ordering code. To obtain these parts, please order the cap and base part numbers separately. This process provides the components contained with the original "Complete Assembly" part number.

All Dialight Classic Panel Mount Indicators need a leading 3-digit numerical series. In some cases, this catalog will show a 2-digit series. In this case, please add a leading zero. For example, 81-0211-300 becomes 081-0211-300.

Part numbers listed on Dialight catalog pages designate parts with Red lenses. For ordering lens colors other than red, consult the chart below. In most cases, the color is dictated by the 7th digit. For example, 095-0932-003 for a green cap.

Lens Colors	
1 - Red	5 - White
2 - Green	6 - Light Yellow
3 - Yellow	7 - Clear
4 - Blue	

[Click here for a cross reference guide to assembly part numbers.](#)

[Click here to view Frequently Asked Questions concerning Panel Mount Indicators.](#)

SCROLL DOWN TO VIEW CATALOG PAGE

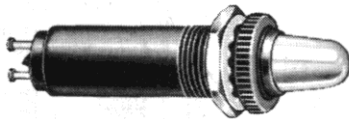
Neon Indicator Lights

It is possible to provide indicator lights of very small dimensions, that may be applied directly to commercial voltage circuits when T-2 neon lamps are used as the light sources.

These neon glow lamps are very uniform in their performance and exceptionally free of early failures. When recommended series resistors are used, very long minimum life ratings apply. High lamp reliability makes it reasonable to offer these lights with non-replaceable lamps.

Lamp C2A (NE-2H) is used in these lights for all applications on 110-125 volts, alternating current. The necessary current-limiting

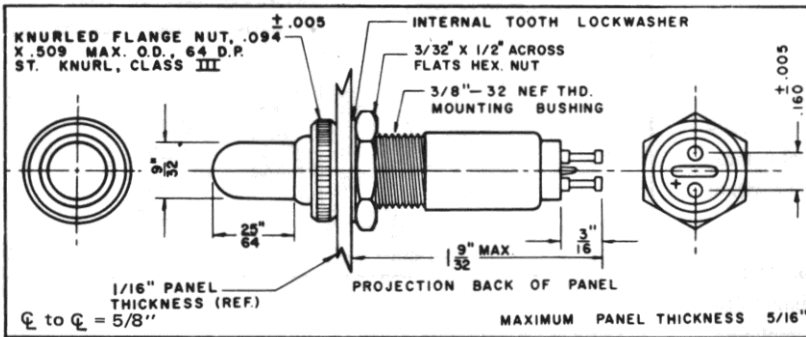
resistor is built into the light housing so that the full voltage may be applied to the terminals. Two levels of operation are provided by the choice of the resistor value—either 22K or 33K ohms. Higher light output is provided by the 22K option and minimum life is still long—5,000 hours. For DC circuits of 105-125 volts, the neon lamp used is A9A (NE-2E). Even lower voltages may be accommodated by the use of selected lamps. Data will be provided on application.



249-7866-0931-514

MOUNT FROM REAR IN 3/8" CLEARANCE HOLE

WITH BUILT-IN RESISTOR



In this series of assemblies, the non-replaceable neon lamp is combined with a built-in current-limiting resistor. Indicator lights are offered with a choice of stovepipe, flat or short cylindrical lens. The latter two may be hot-stamped or engraved if desired. See "Hot-Stamped or Engraved Legends" on Page 25B

See "Materials and Finishes" on facing page.

Hot-Stamped or Engraved Legends: See description on Page 25B.

PERMANENT LAMP INDICATOR LIGHTS WITH BUILT-IN RESISTOR

Lens Color	With Stovepipe Lens Shape		With Short Cylindrical Lens Shape		With Flat Lens Shape	
	Standard Brightness 56K*	High Brightness 22K*	Standard Brightness 56K*	High Brightness 22K*	Standard Brightness 56K*	High Brightness 22K*
Red	249-7841-0931-544	249-7866-0931-514	249-7841-1431-544	249-7866-1431-514	249-7841-0331-544	249-7866-0331-514
Yellow (Amber)	249-7841-0933-544	249-7866-0933-514	249-7841-1433-544	249-7866-1433-514	249-7841-0333-544	249-7866-0333-514
White (Translucent)	249-7841-0935-544	249-7866-0935-514	249-7841-1435-544	249-7866-1435-514	249-7841-0335-544	249-7866-0335-514
Clear (Colorless)	249-7841-0937-544	249-7866-0937-514	249-7841-1437-544	249-7866-1437-514	249-7841-0337-544	249-7866-0337-514

*See recommended resistance values and appropriate part number designations on facing page.

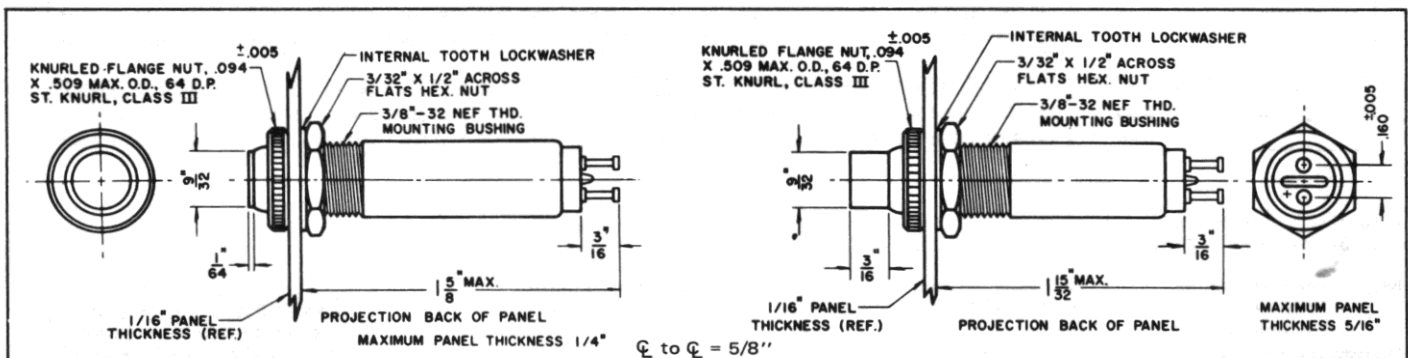


249-7866-0331-514



249-7841-1431-544

WITH BUILT-IN RESISTOR



For 110-125V AC or 105-125V DC

RECOMMENDED RESISTANCE VALUES

Neon Lamp	Volts Applied to Terminals	Bright Light		Long Life	
		Resistor and Approx. Life		Resistor and Approx. Life	
C2A (NE-2H) High Brightness	110-125 Volts AC	22K	5,000 hrs.	33K	25,000 hrs.
A9A (NE-2E) Standard Brightness	105-125 Volts DC	56K	5,000 hrs.	100K	25,000 hrs.

Change the second digit in the part number suffix to designate the appropriate built-in resistor. See chart at the right.

How to designate the three digit part number suffix (-XXX)

Finish	Resistor	Hardware
5-black anodize	0-none	0-none
6-clear anodize	1-22K	4-aluminum
	3-33K	
	4-56K	
	7-100K	

Note: The part numbers given indicate Standard indicator lights. The above table provides the Standard and Optional designations for finish, resistor and hardware (where applicable).

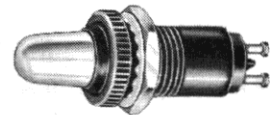
MOUNT FROM REAR IN 3/8" CLEARANCE HOLE

This series of Permanent Lamp Indicator Lights is similar to those on the facing page—except that they do not contain built-in resistor. The necessary current-limiting resistor must be added externally. See the chart with recommended resistance values above.

Legends: See description on page 25B.

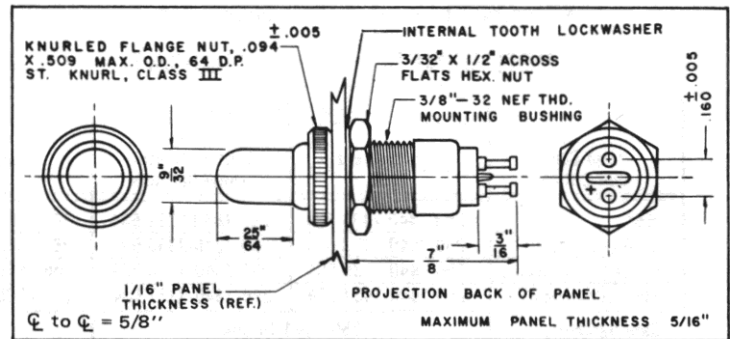
MATERIALS AND FINISHES

- Mounting bushing and flange ring: Standard—Aluminum, black anodize finish. Optional—clear anodize finish.
- Mounting nut: Brass, white nickel finish.
- Internal-tooth Lockwasher: Phosphor bronze, white nickel finish.
- Terminals: Low carbon steel, solder plated.



249-7840-0931-504

WITHOUT BUILT-IN RESISTOR

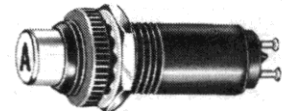


PERMANENT LAMP INDICATOR LIGHTS WITHOUT BUILT-IN RESISTOR

Lens Color	With Stovepipe Lens Shape		With Short Cylindrical Lens Shape		With Flat Lens Shape	
	Standard Brightness	High Brightness	Standard Brightness	High Brightness	Standard Brightness	High Brightness
Red	249-7840-0931-504	249-7865-0931-504	249-7840-1431-504	249-7865-1431-504	249-7840-0331-504	249-7865-0331-504
Yellow (Amber)	249-7840-0933-504	249-7865-0933-504	249-7840-1433-504	249-7865-1433-504	249-7840-0333-504	249-7865-0333-504
White (Translucent)	249-7840-0935-504	249-7865-0935-504	249-7840-1435-504	249-7865-1435-504	249-7840-0335-504	249-7865-0335-504
Clear (Colorless)	249-7840-0937-504	249-7865-0937-504	249-7840-1437-504	249-7865-1437-504	249-7840-0337-504	249-7865-0337-504



249-7840-0331-504



249-7865-1431-504

WITHOUT BUILT-IN RESISTOR

