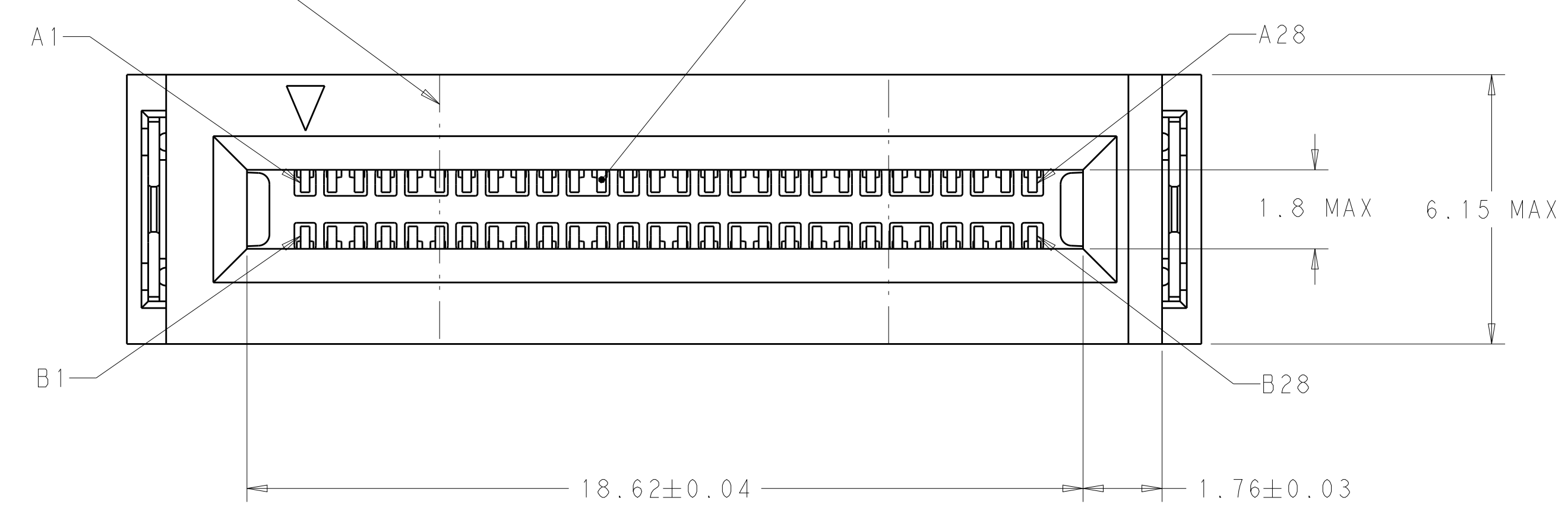


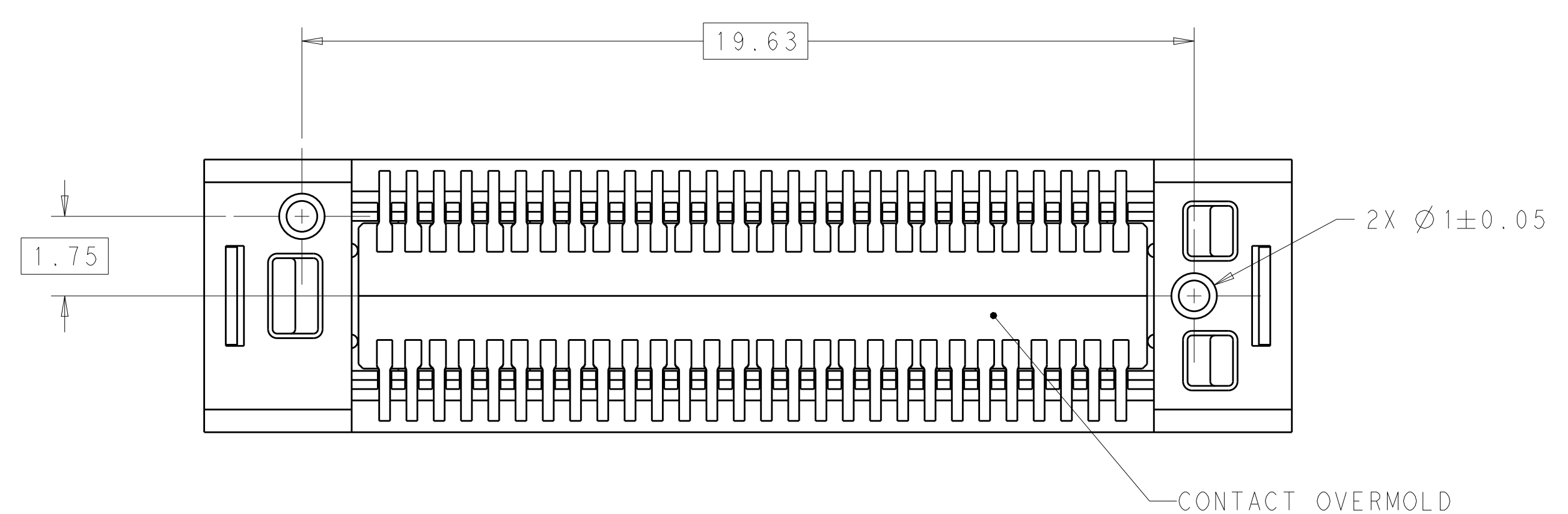
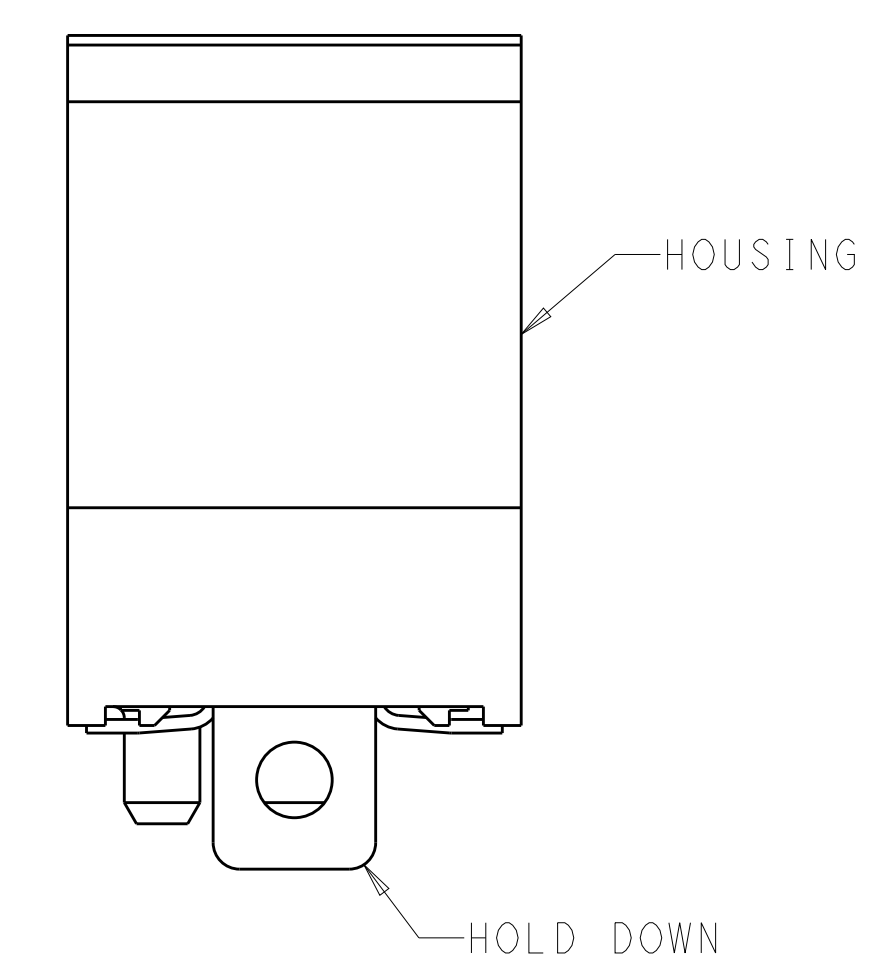
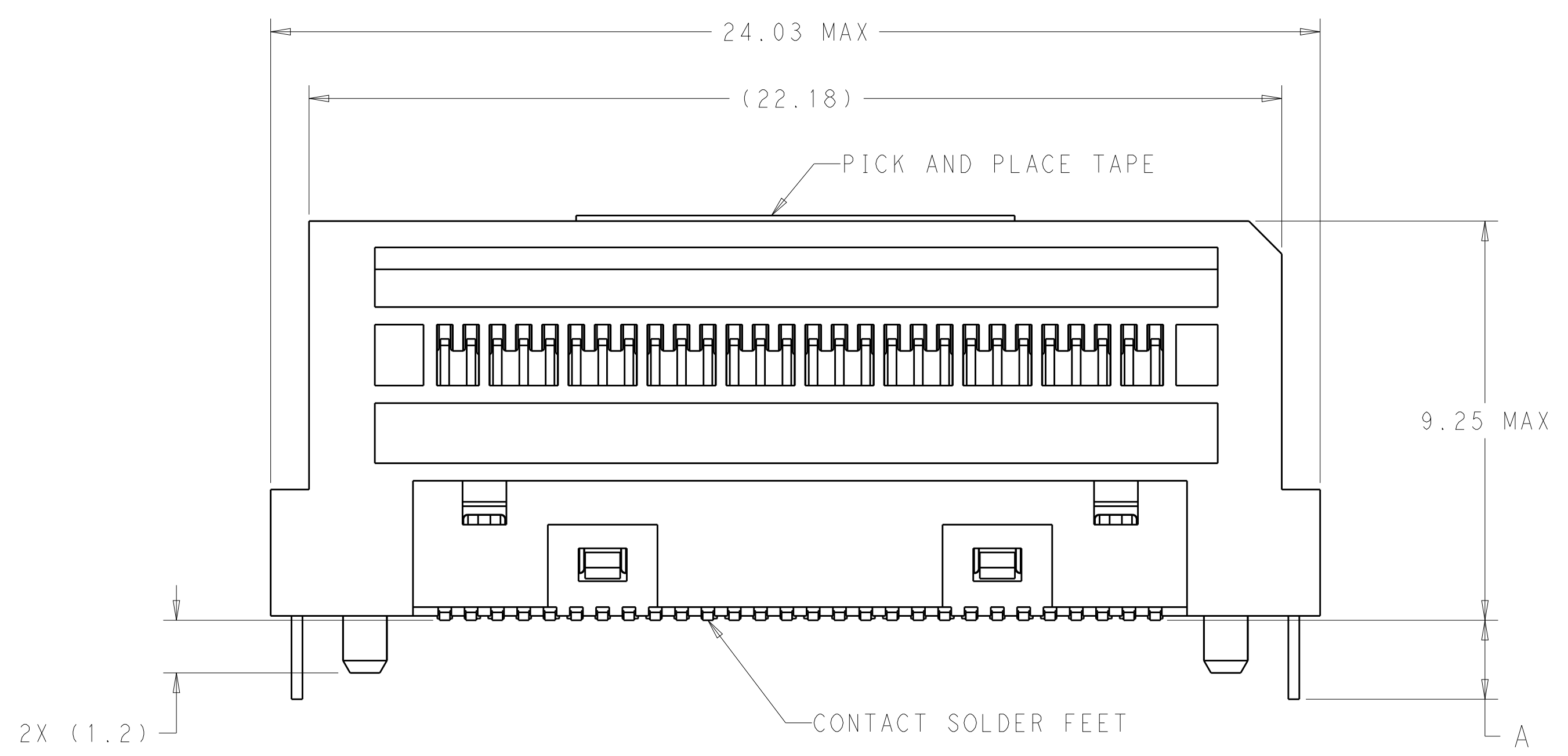
REVISIONS				
P.	LTN.	DESCRIPTION	DATE	APVD.
A		RELEASED	11MAY2019	CJV JW

PICK AND PLACE TAPE SHOWN AS TRANSPARENT FOR CLARITY

CONTACT MATING SURFACES

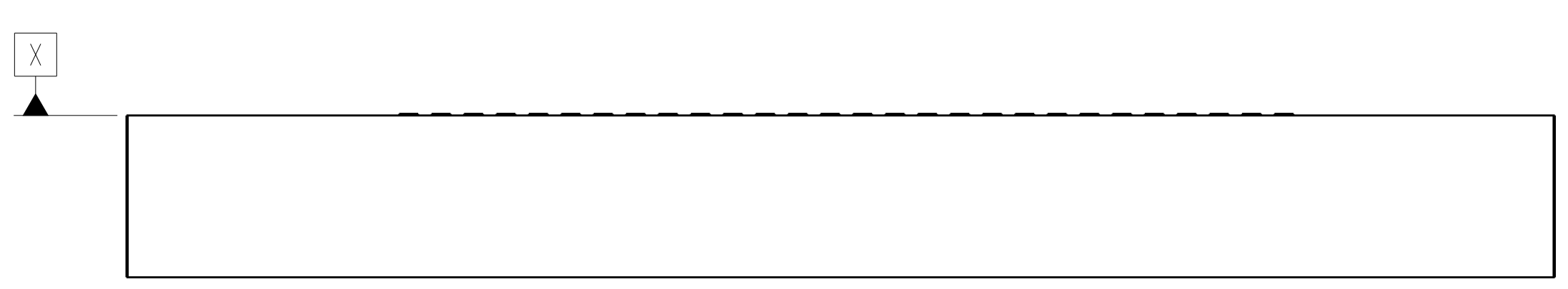
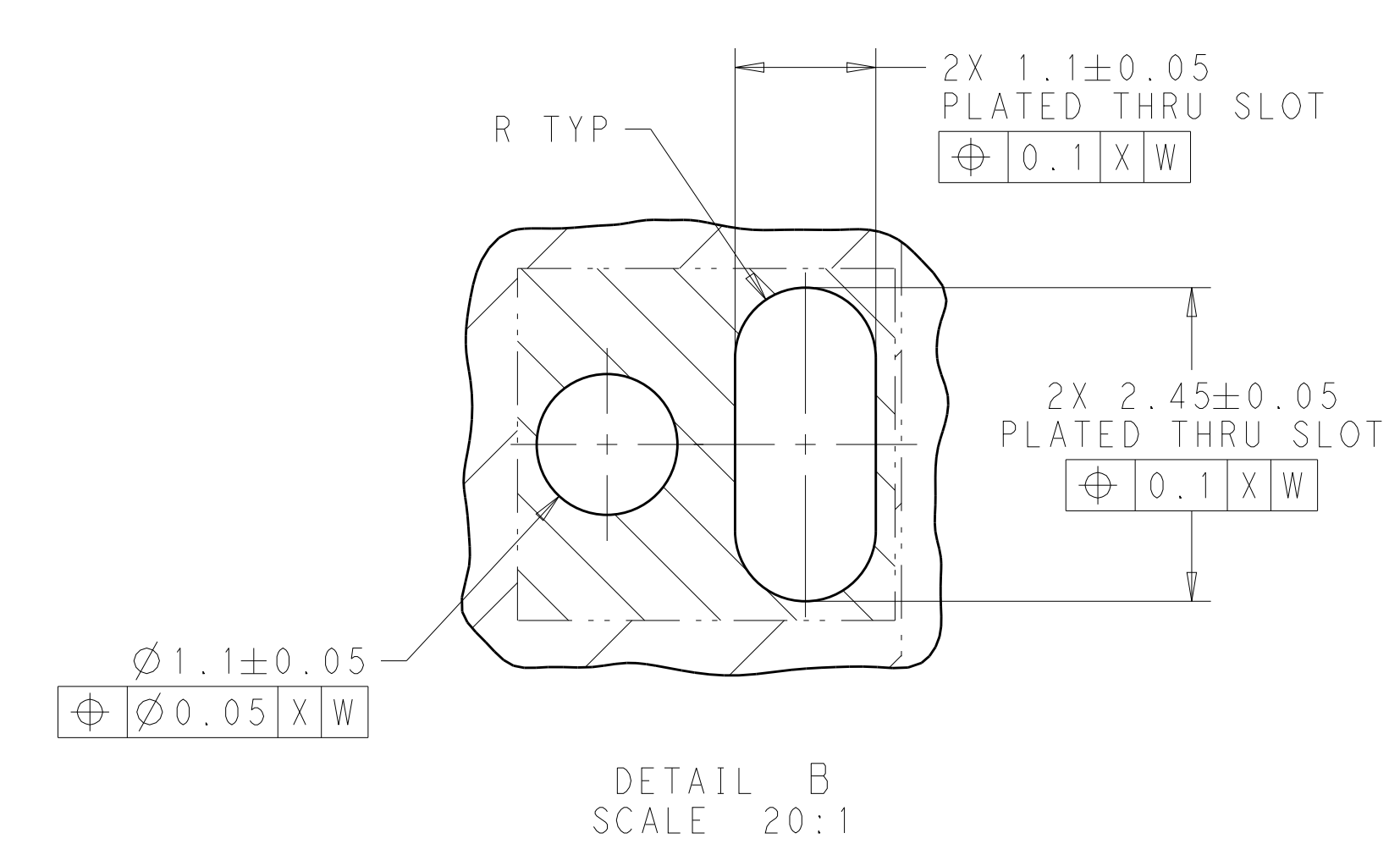
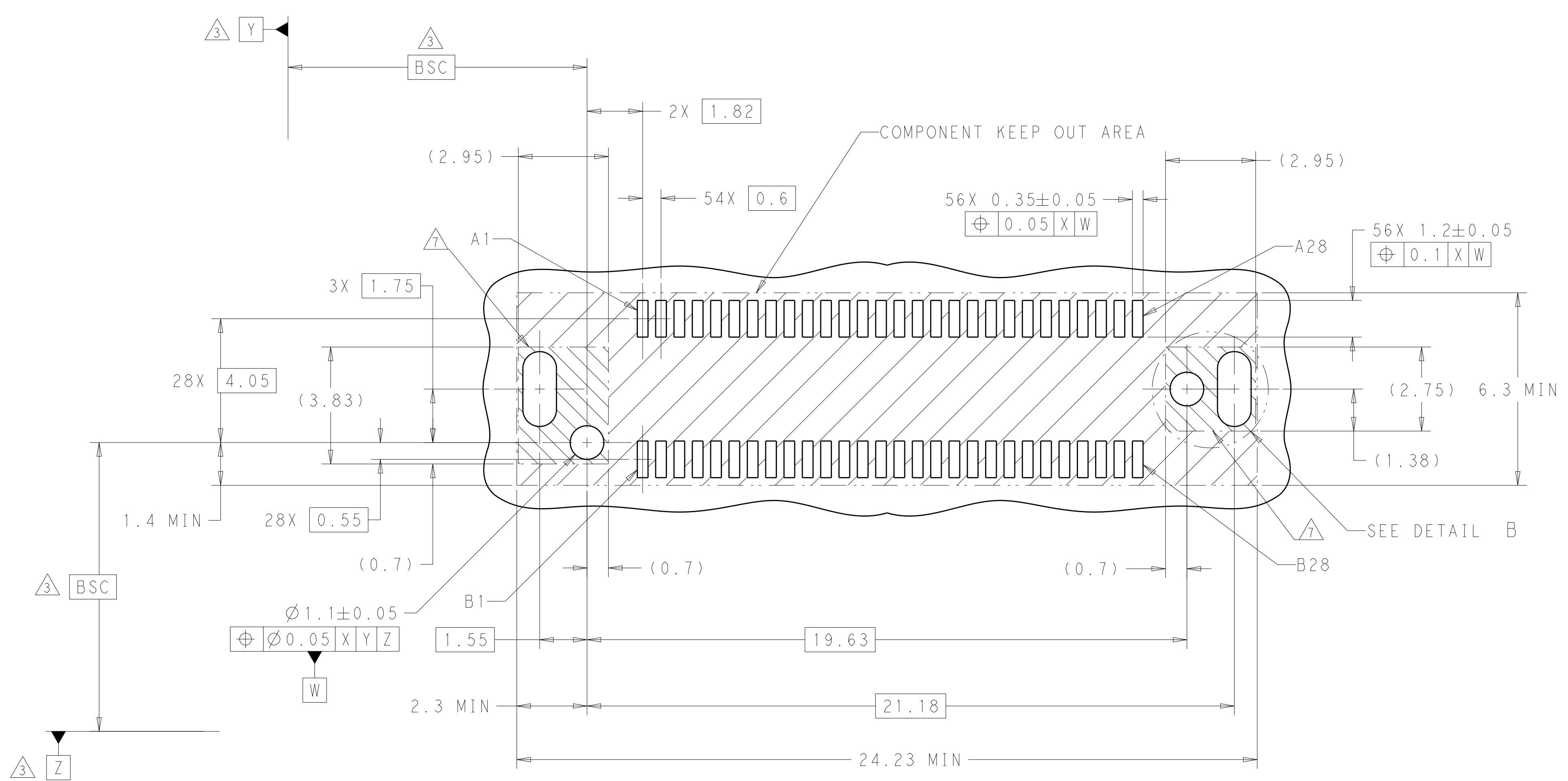


- 1 HOUSING AND CONTACT OVERMOLDS - LCP, UL94-V0, BLACK. CONTACTS AND HOLD DOWNS - COPPER ALLOY. PICK AND PLACE TAPE - POLYIMIDE FILM.
- 2 CONTACTS - GOLD PLATE ON MATING SURFACES, TIN PLATE ON SOLDER FEET. HOLD DOWNS - TIN PLATE.
- 3 DATUMS AND BASIC DIMENSIONS ESTABLISHED BY CUSTOMER.
- 4. MINIMUM HOST PCB THICKNESS: 1.5.
- 5 SEE MSA SPECIFICATION FOR ADDITIONAL PADDLE CARD LAYOUTS COMPATIBLE WITH THIS RECEPTACLE AND FOR OPTIONAL SPLIT CONTACT PAD LAYOUTS FOR THE PADDLE CARD. SPECIFICATION PINOUT MAY ALSO DESIGNATE PAD SEQUENCE DIFFERENT FROM ILLUSTRATION.
- 6 POSITIONS DESIGNATED AS "SIGNAL" ARE REQUIRED LOCATIONS FOR HIGH SPEED DIFFERENTIAL PAIR SIGNALING. THESE LOCATIONS MAY ALSO BE USED FOR SUPPORTING SIDEBAND SIGNALS OR OTHER UTILITY PURPOSES. POSITIONS DESIGNATED AS "GROUND" ARE REQUIRED WHEN SUPPORTING HIGH SPEED DIFFERENTIAL SIGNALS. THESE LOCATIONS MAY ALSO BE USED FOR SIDEBAND SIGNALS OR OTHER UTILITY PURPOSES.
- 7 COMPONENT AND TRACE KEEP OUT AREA. EACH EDGE 0.15 MIN FROM EDGE OF HOLE.
- 8 TAPE AND REEL PACKAGED FOR PICK AND PLACE SMT PROCESSING, SEE FIGURE 1. POCKET TAPE WIDTH = 44.



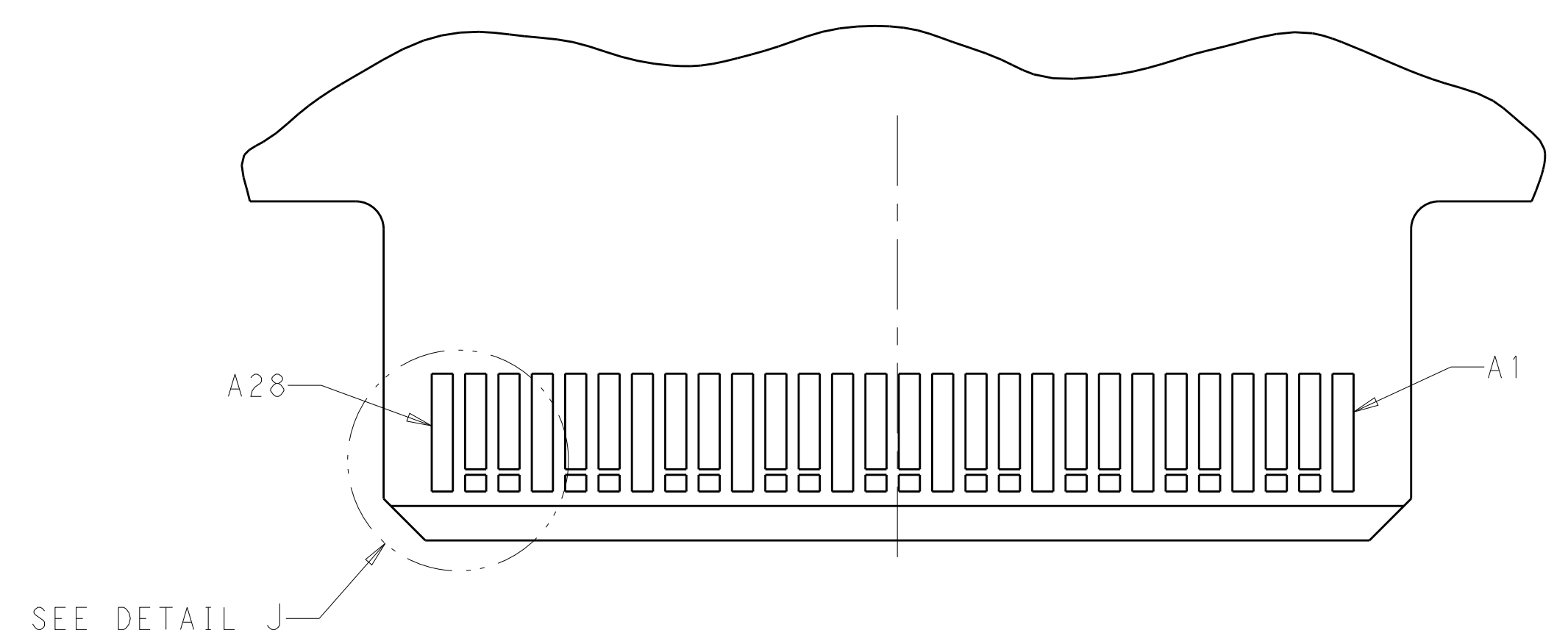
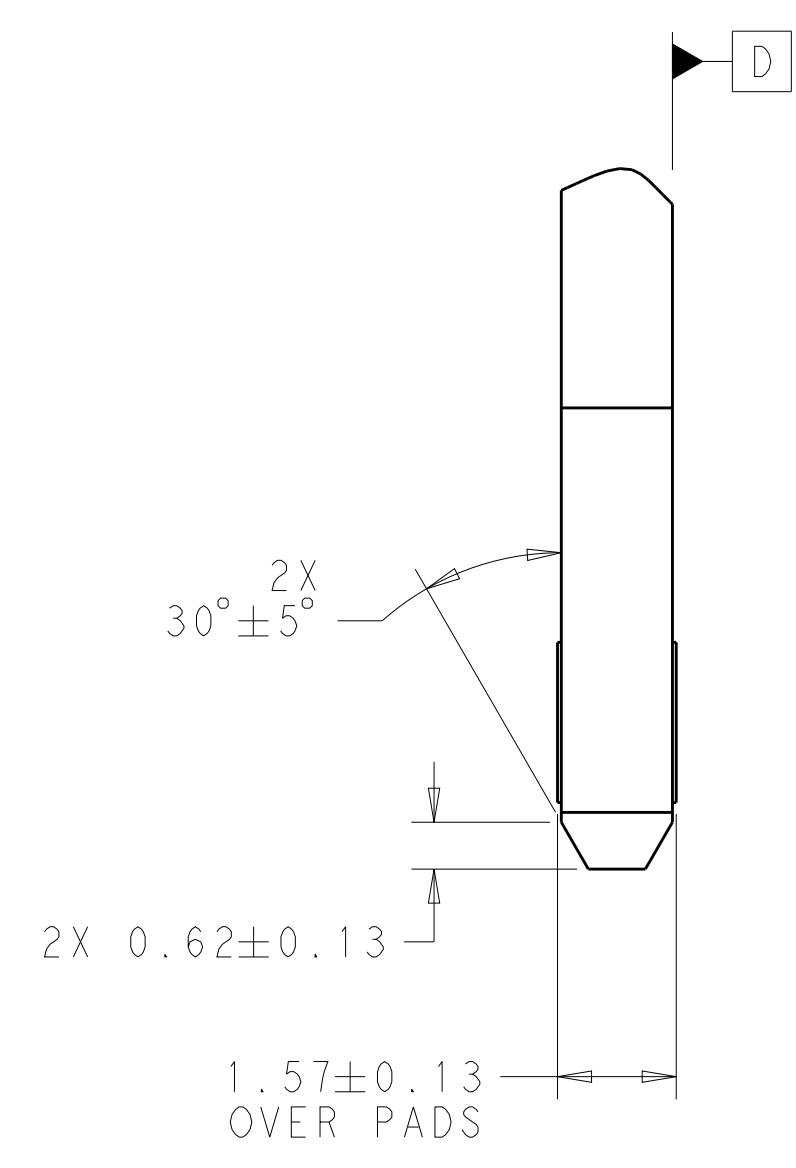
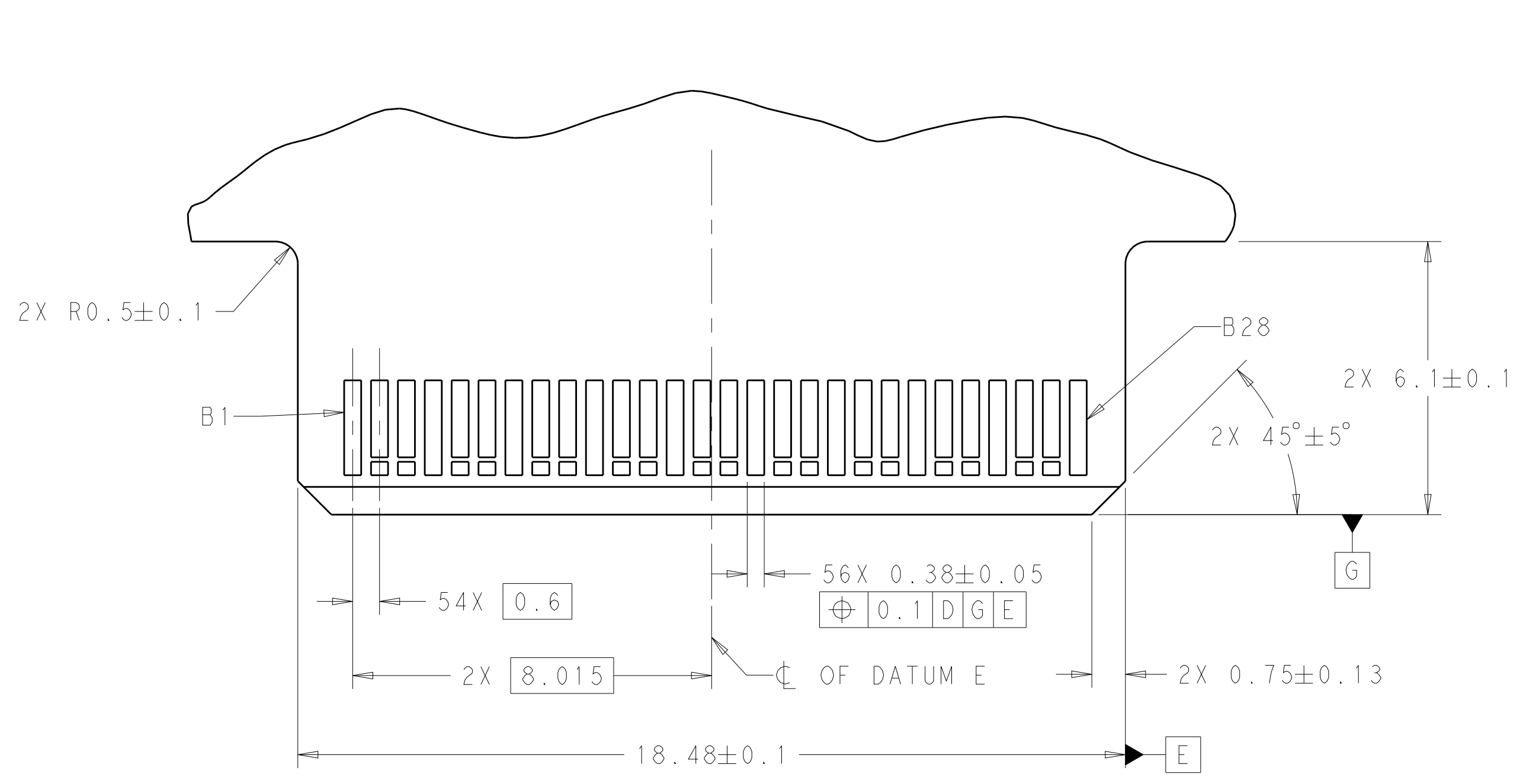
THIS DRAWING IS A CONTROLLED DOCUMENT.		OWN C. VALENTINE 16 JAN 2018	TE Connectivity NAME RECEPTACLE ASSEMBLY, VERTICAL, 56 POSITION, SLIVER 2.0	
DIMENSIONS:		CHK D. HARMON 16 JAN 2018		
mm	TOLERANCES UNLESS OTHERWISE SPECIFIED:	APVD D. HARMON 16 JAN 2018	PRODUCT SPEC	RESTRICTED TO
0 PLC ± 1 PLC ± 2 PLC ± 3 PLC ± 4 PLC ± ANGLES ±	± ± ± ± ±	PRODUCT SPEC 108-130021 APPLICATION SPEC 114-130008	SIZE CAGE CODE DRAWING NO A1 00779 C=2327679	WEIGHT -
MATERIAL	FINISH	WEIGHT	CUSTOMER DRAWING	SCALE 10:1 SHEET 1 OF 4 REV A

REVISIONS				
P.	LTN	DESCRIPTION	DATE	APVD
-	-	SEE SHEET 1	-	-

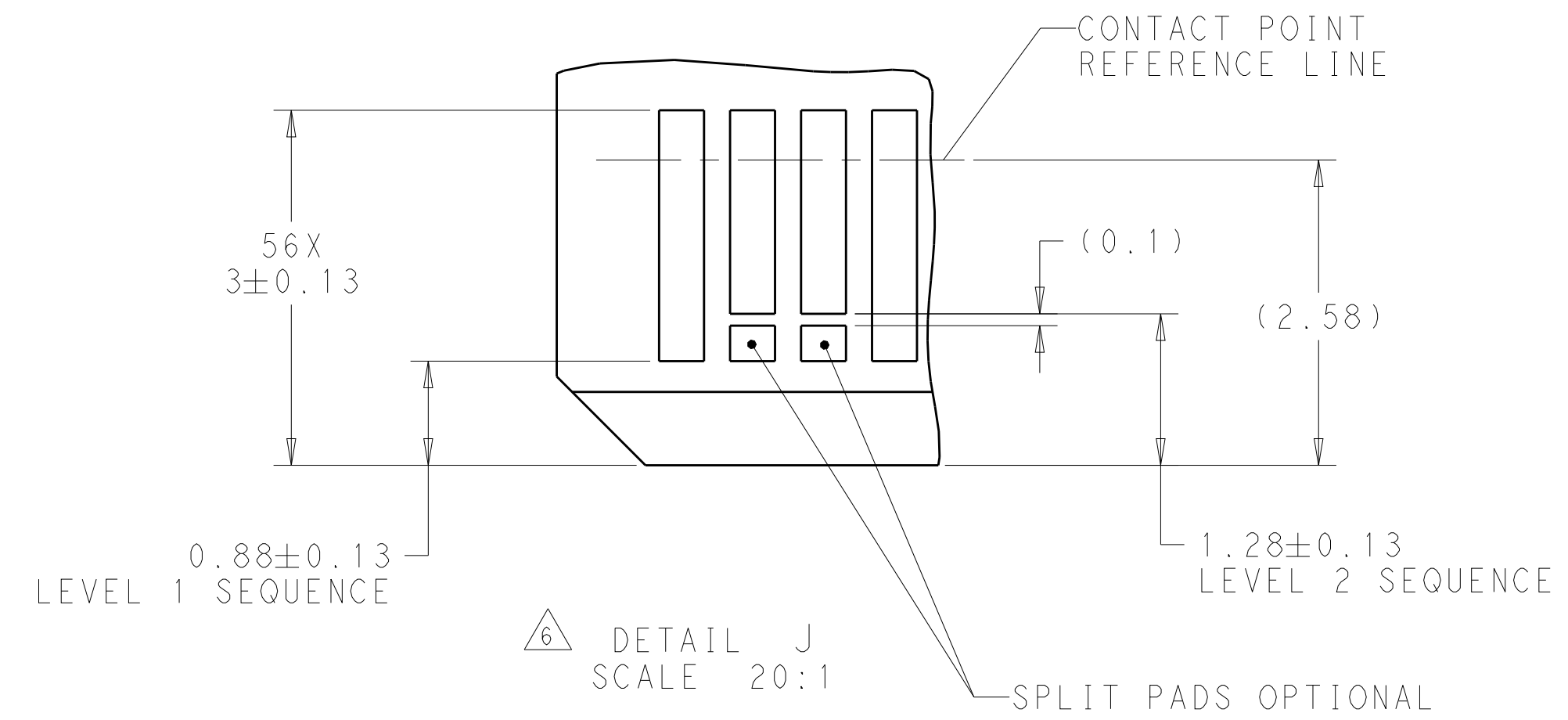


THIS DRAWING IS A CONTROLLED DOCUMENT.		DWN C. VALENTINE 16 JAN 2018	TE Connectivity
DIMENSIONS:		CHK D. HARMON 16 JAN 2018	
mm	TOLERANCES UNLESS OTHERWISE SPECIFIED:	APVD D. HARMON 16 JAN 2018	NAME RECEPTACLE ASSEMBLY, VERTICAL, 56 POSITION, SLIVER 2.0
	0 PLC ± 1 PLC ± 2 PLC ± 3 PLC ± 4 PLC ± ANGLES ±	PRODUCT SPEC 108-130021	APPLICATION SPEC -
MATERIAL	FINISH	WEIGHT 114-130008	SIZE A100779
CUSTOMER DRAWING		SCALE 10:1	SHEET 2 OF 4 REV A

REVISIONS				
P.	LTN	DESCRIPTION	DATE	APVD
-	-	SEE SHEET 1	-	-



RECOMMENDED PCB OUTLINE DIMENSIONS.  
 TOLERANCE VALUES ARE CRITICAL. PLEASE BE SURE TO DESIGNATE  
 TOLERANCES TO PCB SUPPLIER TO ENSURE OPTIMIZED FUNCTIONALITY.

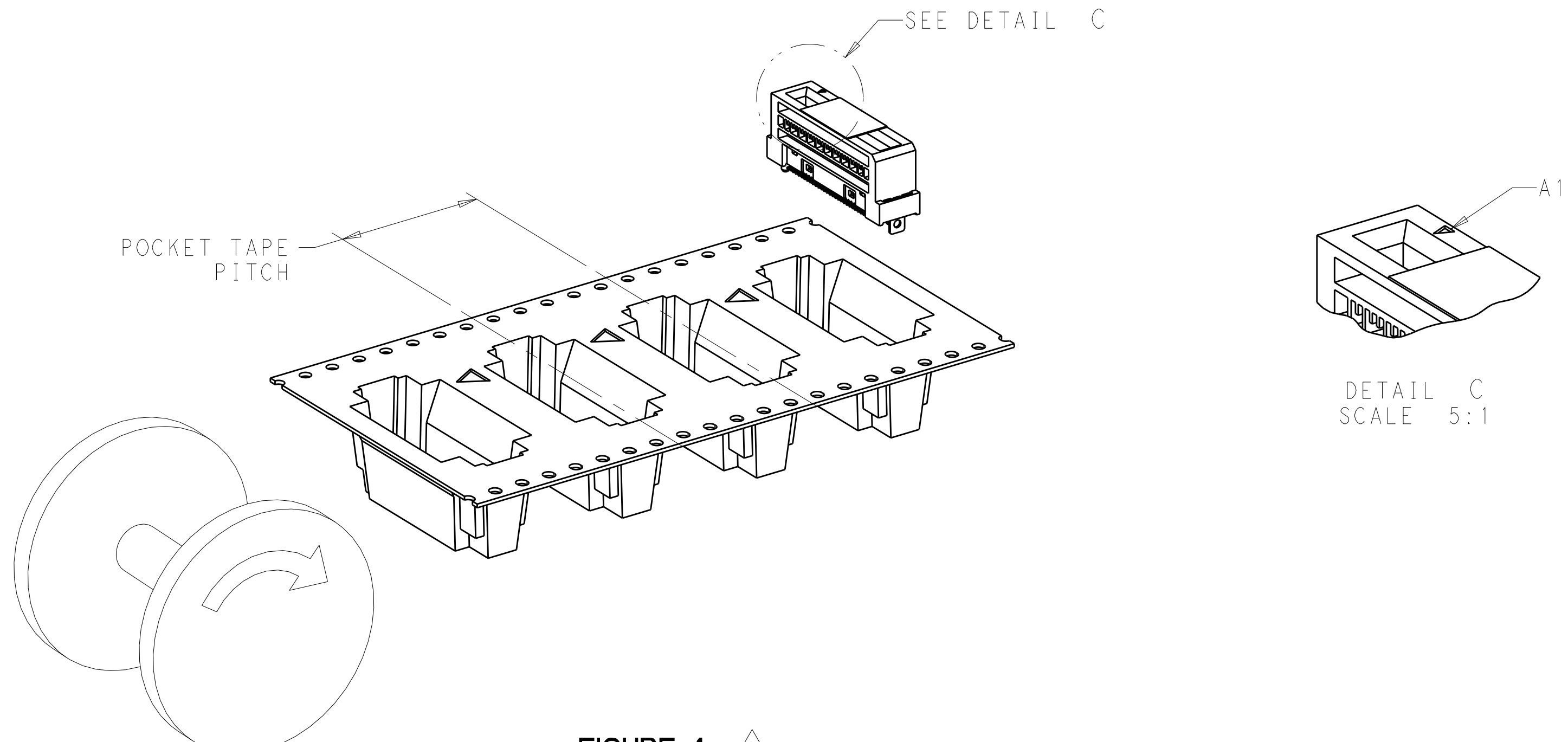


THIS DRAWING IS A CONTROLLED DOCUMENT.		DWN C. VALENTINE 16 JAN 2018	TE Connectivity
DIMENSIONS:		CHK D. HARMON 16 JAN 2018	
mm	TOLERANCES UNLESS OTHERWISE SPECIFIED:	APVD D. HARMON 16 JAN 2018	NAME RECEPTACLE ASSEMBLY, VERTICAL, 56 POSITION, SLIVER 2.0
	0 PLC ± 1 PLC ± 2 PLC ± 3 PLC ± 4 PLC ± ANGLES ± FINISH ±	PRODUCT SPEC 108-130021	SIZE A1
MATERIAL		APPLICATION SPEC 114-130008	CAGE CODE 2327679
		WEIGHT	RESTRICTED TO
		CUSTOMER DRAWING	SCALE 10:1 SHEET 3 OF 4 REV A

REVISIONS					
P.	LTN	DESCRIPTION	DATE	OWN	APVD
-	-	SEE SHEET 1	-	-	-

TABLE 1: CONNECTOR CONTACT IDENTIFICATION

CONTACT NUMBER	SIDE A	SIDE B
1	GROUND	GROUND
2	SIGNAL	SIGNAL
3	SIGNAL	SIGNAL
4	GROUND	GROUND
5	SIGNAL	SIGNAL
6	SIGNAL	SIGNAL
7	GROUND	GROUND
8	SIGNAL	SIGNAL
9	SIGNAL	SIGNAL
10	GROUND	GROUND
11	SIGNAL	SIGNAL
12	SIGNAL	SIGNAL
13	GROUND	GROUND
14	SIGNAL	SIGNAL
15	SIGNAL	SIGNAL
16	GROUND	GROUND
17	SIGNAL	SIGNAL
18	SIGNAL	SIGNAL
19	GROUND	GROUND
20	SIGNAL	SIGNAL
21	SIGNAL	SIGNAL
22	GROUND	GROUND
23	SIGNAL	SIGNAL
24	SIGNAL	SIGNAL
25	GROUND	GROUND
26	SIGNAL	SIGNAL
27	SIGNAL	SIGNAL
28	GROUND	GROUND



**FIGURE 1**   
 DIRECTION OFF TOP OF REEL  
 FOR USER UNREELING  
 SHOWN AS 2327679-1 THRU 2327679-9  
 AND 2-2327679-0  
 SCALE 2:1

3.7±0.1	0.76µm Au	20	250	YES	200	2-2327679-0
3±0.1	0.76µm Au	24	TBD	NO	200	1-2327679-9
	0.38µm Au				100	1-2327679-8
	FLASH Au/PdNi				50	1-2327679-7
1.4 MAX	0.76µm Au	24	250	NO	200	1-2327679-6
	0.38µm Au				100	1-2327679-5
	FLASH Au/PdNi				50	1-2327679-4
1.7 MIN	0.76µm Au	24	250	NO	200	1-2327679-3
	0.38µm Au				100	1-2327679-2
	FLASH Au/PdNi				50	1-2327679-1
3±0.1	0.76µm Au	20	250	YES	200	2327679-9
	0.38µm Au				100	2327679-8
	FLASH Au/PdNi				50	2327679-7
1.4 MAX	0.76µm Au	20	350	YES	200	2327679-6
	0.38µm Au				100	2327679-5
	FLASH Au/PdNi				50	2327679-4
1.7 MIN	0.76µm Au	20	350	YES	200	2327679-3
	0.38µm Au				100	2327679-2
	FLASH Au/PdNi				50	2327679-1
A	PLATING	POCKET TAPE PITCH	REEL QUANTITY	PICK AND PLACE TAPE	MATING CYCLES	PART NUMBER

THIS DRAWING IS A CONTROLLED DOCUMENT.

OWN: C. VALENTINE 16 JAN 2018  
 CHK: D. HARMON 16 JAN 2018  
 APVD: D. HARMON 16 JAN 2018

**STE** TE Connectivity

NAME: RECEPTACLE ASSEMBLY, VERTICAL, 56 POSITION, SLIVER 2.0

PRODUCT SPEC: 108-130021  
 APPLICATION SPEC: 114-130008

SIZE: A1 CAGE CODE: 00779 DRAWING NO: 2327679

RESTRICTED TO: -

CUSTOMER DRAWING SCALE: 10:1 SHEET: 4 OF 4 REV: A