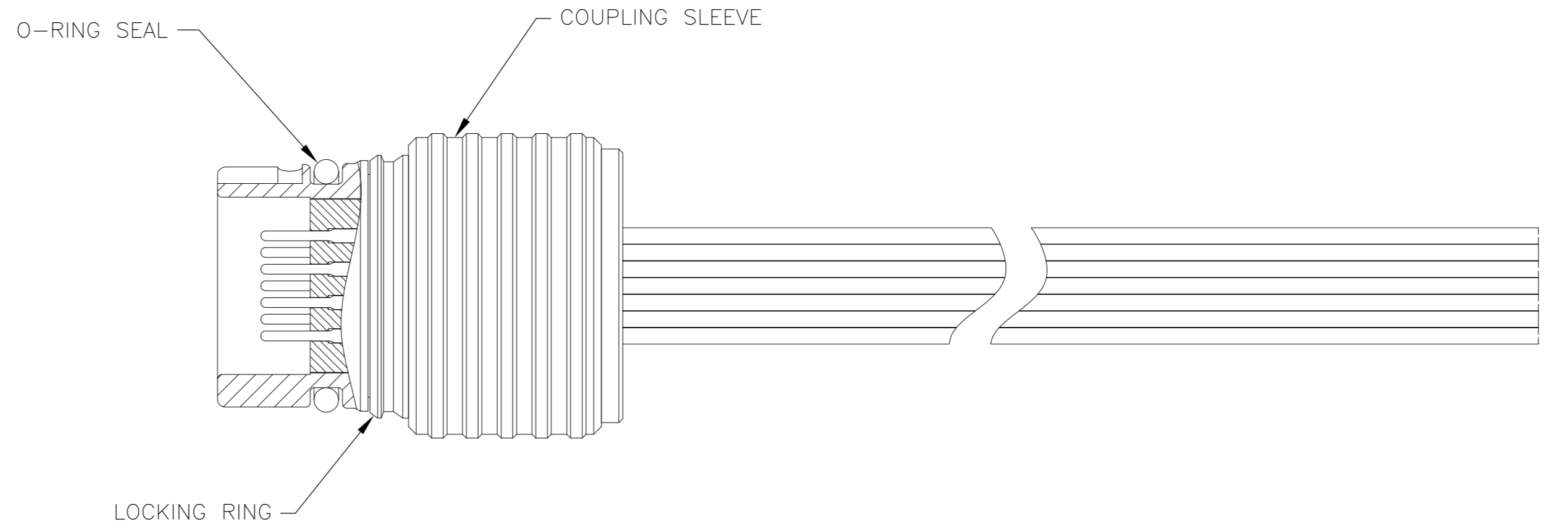
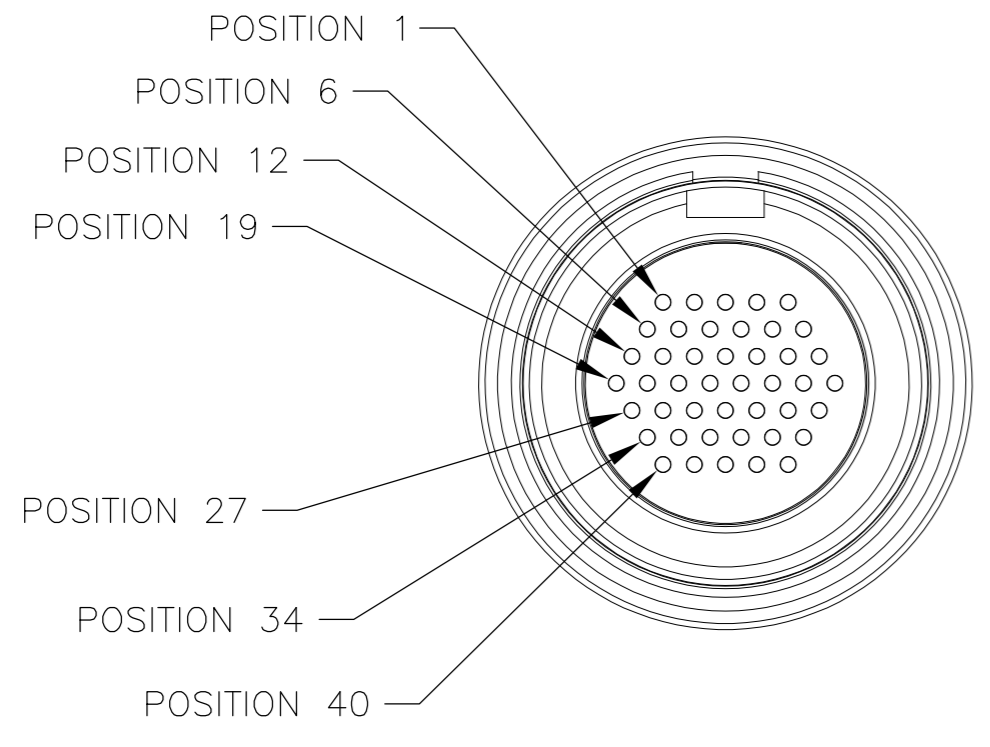
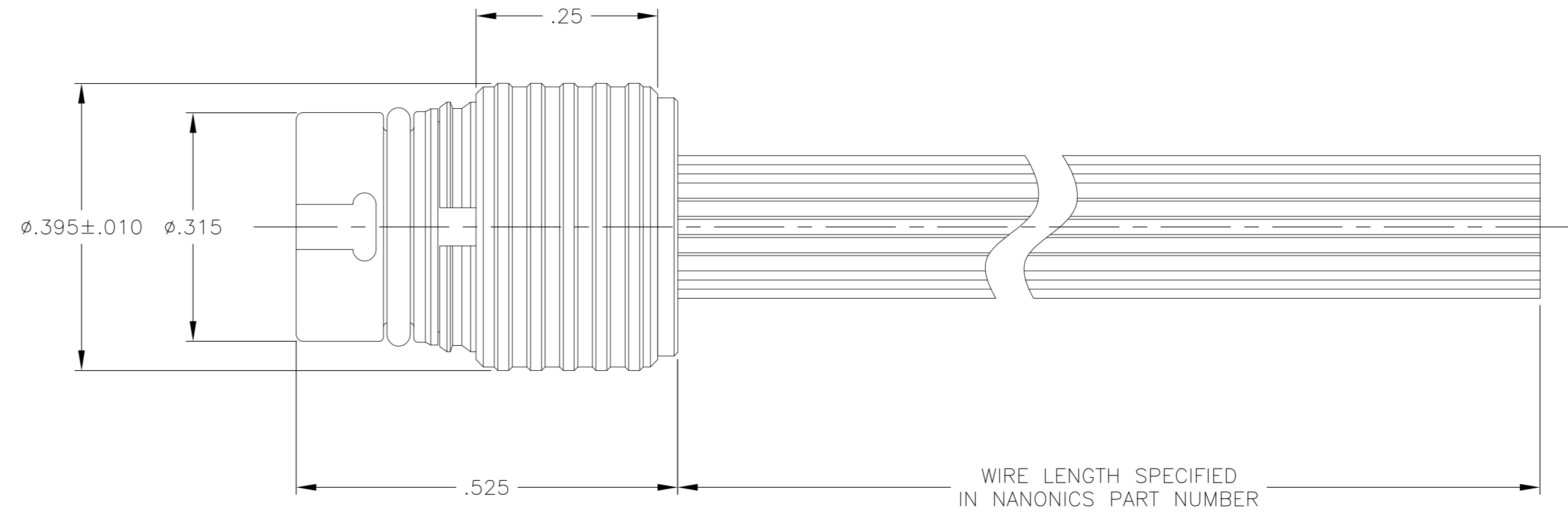
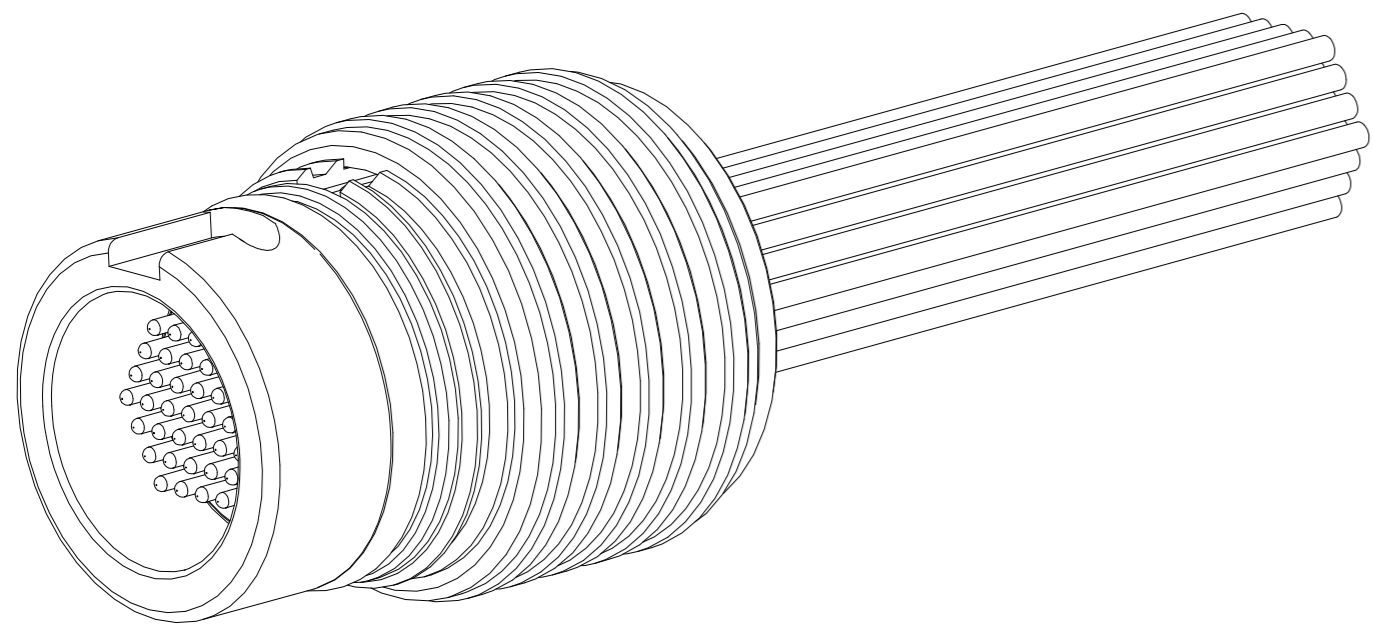


THIS DRAWING IS UNPUBLISHED. RELEASED FOR PUBLICATION
 © COPYRIGHT - By - ALL RIGHTS RESERVED.

LOC		DIST		REVISIONS			
P	LTR	DESCRIPTION		DATE	DWN	APVD	
	G	UPDATE PER ECO-11-013056		23 JUN 11	CAS	MKS	



- 1 CONNECTOR BODY AND COUPLING SLEEVE MATERIAL: 6061-T6 ALUMINUM, ELECTROLESS NICKEL PLATED PER SAE-AMS-C-26074 OR SAE-AMS-2404E
 LOCKING RING MATERIAL: BERYLLIUM COPPER, ELECTROLESS NICKEL PLATED PER SAE-AMS-C-26074 OR SAE-AMS-2404E
 INSULATOR MATERIAL: LIQUID CRYSTAL POLYMER (LCP) PER ASTM D5138 OR POLYPHENYLENE SULFIDE (PPS) PER ASTM D4067
 O-RING MATERIAL: FLUOROSILICONE
- 2 WIRE TERMINATION: 28 AWG SOLID, 30 AWG STRANDED WIRE OR SMALLER
- 3 LUBRICATE O-RING WITH PARKER SUPER-O-LUBE PRIOR TO INSTALLATION
- 4 THIS DRAWING ALSO IDENTIFIED AS NANONICS 303-0027

THIS DRAWING IS A CONTROLLED DOCUMENT.		DWN M. STORRY 8 APR 99																		
DIMENSIONS: INCHES		CHK E. PAULUS 8 APR 99																		
TOLERANCES UNLESS OTHERWISE SPECIFIED:		APVD S. KAIN 27 JAN 00																		
<table border="1"> <tr><td>0 PLC</td><td>±</td><td>-</td></tr> <tr><td>1 PLC</td><td>±</td><td>-</td></tr> <tr><td>2 PLC</td><td>±</td><td>.010</td></tr> <tr><td>3 PLC</td><td>±</td><td>.005</td></tr> <tr><td>4 PLC</td><td>±</td><td>-</td></tr> <tr><td>ANGLES</td><td>±</td><td>1°</td></tr> </table>		0 PLC			±	-	1 PLC	±	-	2 PLC	±	.010	3 PLC	±	.005	4 PLC	±	-	ANGLES	±
0 PLC	±	-																		
1 PLC	±	-																		
2 PLC	±	.010																		
3 PLC	±	.005																		
4 PLC	±	-																		
ANGLES	±	1°																		
MATERIAL SEE NOTES		FINISH SEE NOTES	PRODUCT SPEC -	APPLICATION SPEC -	SIZE A2	CAGE CODE 0PJN9	DRAWING NO C-1589059	RESTRICTED TO -												
CUSTOMER DRAWING		WEIGHT -	SCALE 6:1	SHEET 1 of 1	REV G															