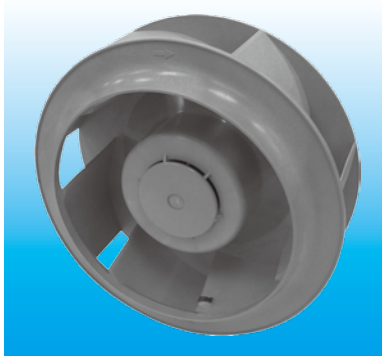


KFB $\phi 175 \times 69$ MM SERIES

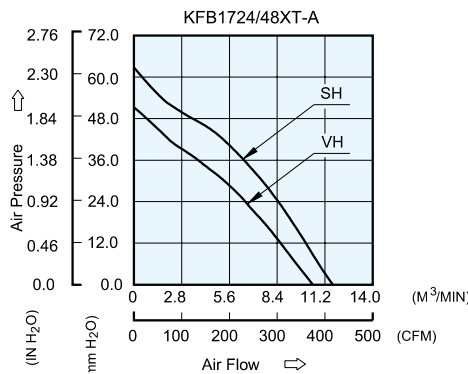
DIMENSIONS DRAWING



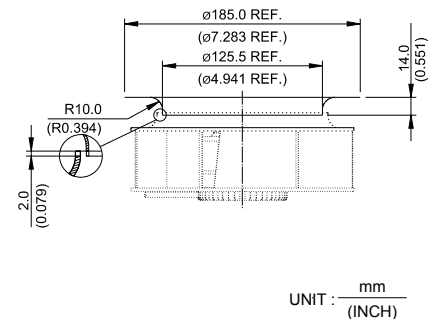
UNIT : $\frac{\text{mm}}{\text{(INCH)}}$

- * Bearing Type
Ball Bearings
- * Material
Impeller : Plastic (UL 94V-0)
Pillow : Die-Cast Aluminum
- * Lead Wires :
UL 1430 AWG #22 OR Equivalent
Red Wire Positive(+)
Black Wire Negative(-)
- * Weight : 670g (23.62 oz)

P & Q CURVE (AT RATED VOLTAGE)



MOUNTING PANEL CUTOUT



UNIT : $\frac{\text{mm}}{\text{(INCH)}}$

MODEL			Rated Voltage	Operating Voltage Range	Input Current	Input Power	Speed	Maximum Air Flow		Maximum Air Pressure		Noise
PART NO.	REV.	FUNCTION	VDC	VDC	Amp	Watt	R.P.M.	m ³ /min	CFM	mmH ₂ O	IN H ₂ O	dB-A
KFB1724VHT	-A	-R00/-F00	24	14.0 to 27.6	2.27	54.48	3600	10.609	374.67	49.88	1.964	70.0
KFB1748VHT	-A	-R00/-F00	48	28.0 to 60.0	1.13	54.24						
KFB1724SHT	-A	-R00/-F00	24	14.0 to 27.6	3.14	75.36	4000	11.688	412.78	61.03	2.403	73.0
KFB1748SHT	-A	-R00/-F00	48	28.0 to 53.0	1.45	69.60						

* Function type is optional.
 * The max. air flow and the speed are measured in free air ; max. air pressure is measured at zero air flow.
 * Noise is measured in anechoic chamber in free air, one meter from intake side.
 * All readings are typical values at rated voltage.
 * Specifications are subject to change without notice.