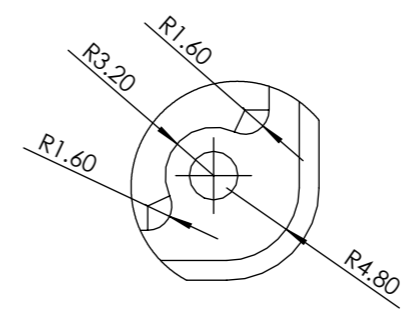
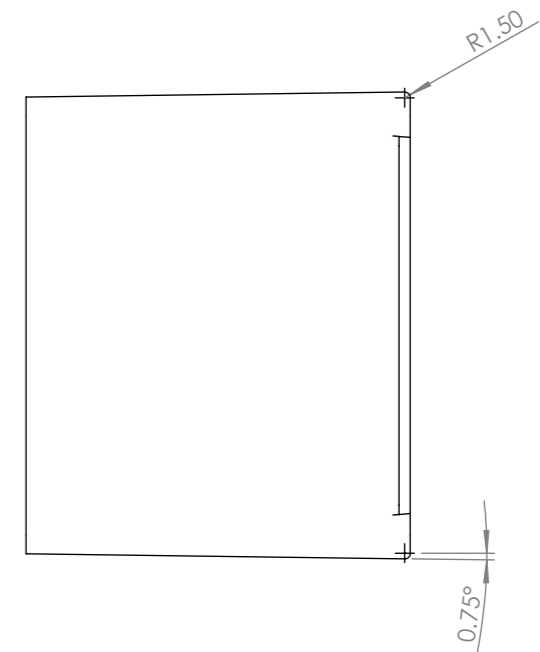
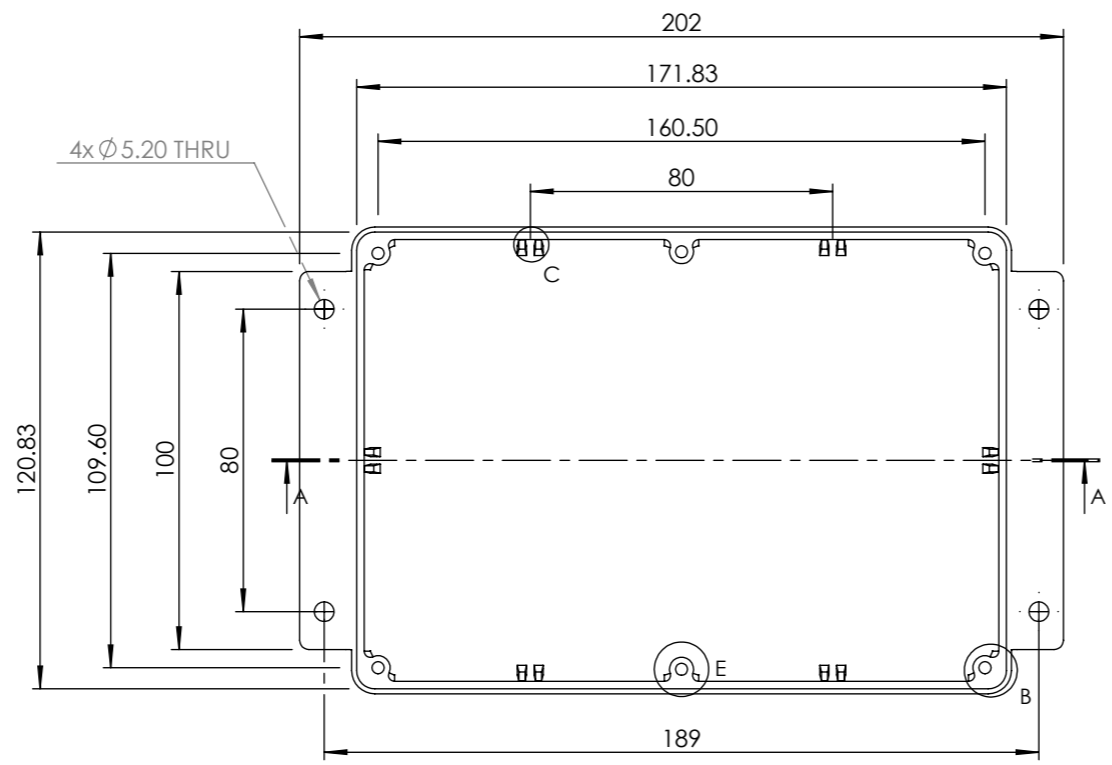
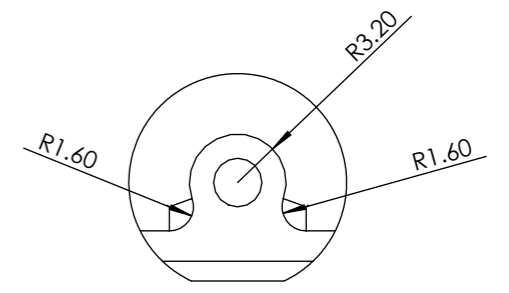


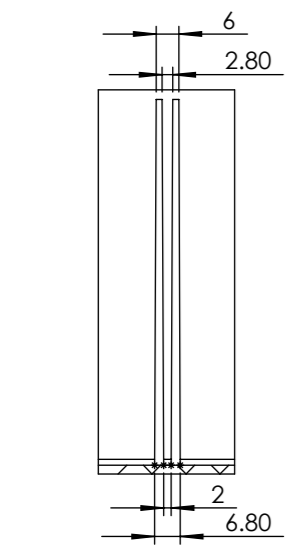
DETAIL C  
SCALE 4 : 1



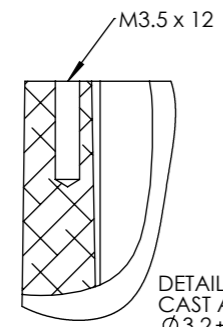
DETAIL B  
SCALE 2 : 1



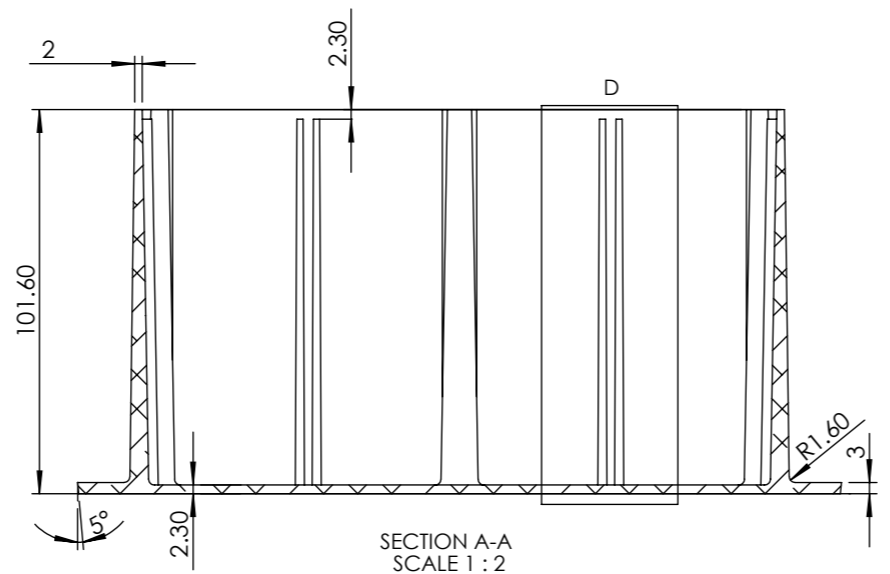
DETAIL E  
SCALE 2 : 1



DETAIL D  
SCALE 1 : 2



DETAILS OF HOLES:  
CAST AS SHOWN, DRILL  
Ø3.2±0.05 X 13.0±0.5 DEEP



SECTION A-A  
SCALE 1 : 2

		FLANGED	
SIZE	PLAIN	POWDER COATED	NYLON COATED
F	455-0060	457-0060	458-0060
	SEALED	FLANGED	
F	456-0060	463-0060	464-0060

Tel No.+44(0)1724273200 Website www.dem-uk.com



**PROPRIETARY AND CONFIDENTIAL**  
THE INFORMATION CONTAINED IN THIS DRAWING IS THE SOLE PROPERTY OF ALPHA 3 MANUFACTURING.  
ANY REPRODUCTION IN PART OR AS A WHOLE WITHOUT THE WRITTEN PERMISSION OF ALPHA 3 MANUFACTURING IS PROHIBITED.

**DEM** Manufacturing, Deltron Emcon House  
Hargreaves Way, Sawcliffe Ind. Park,  
Scunthorpe, North Lincolnshire, DN15 8RF, UK

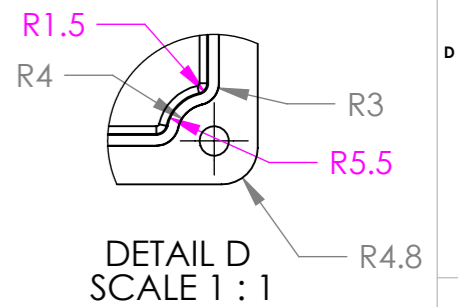
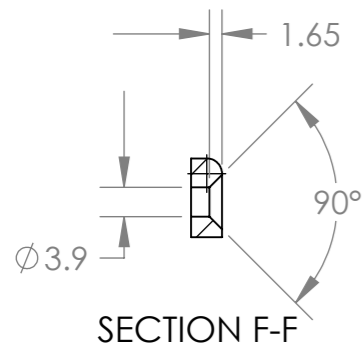
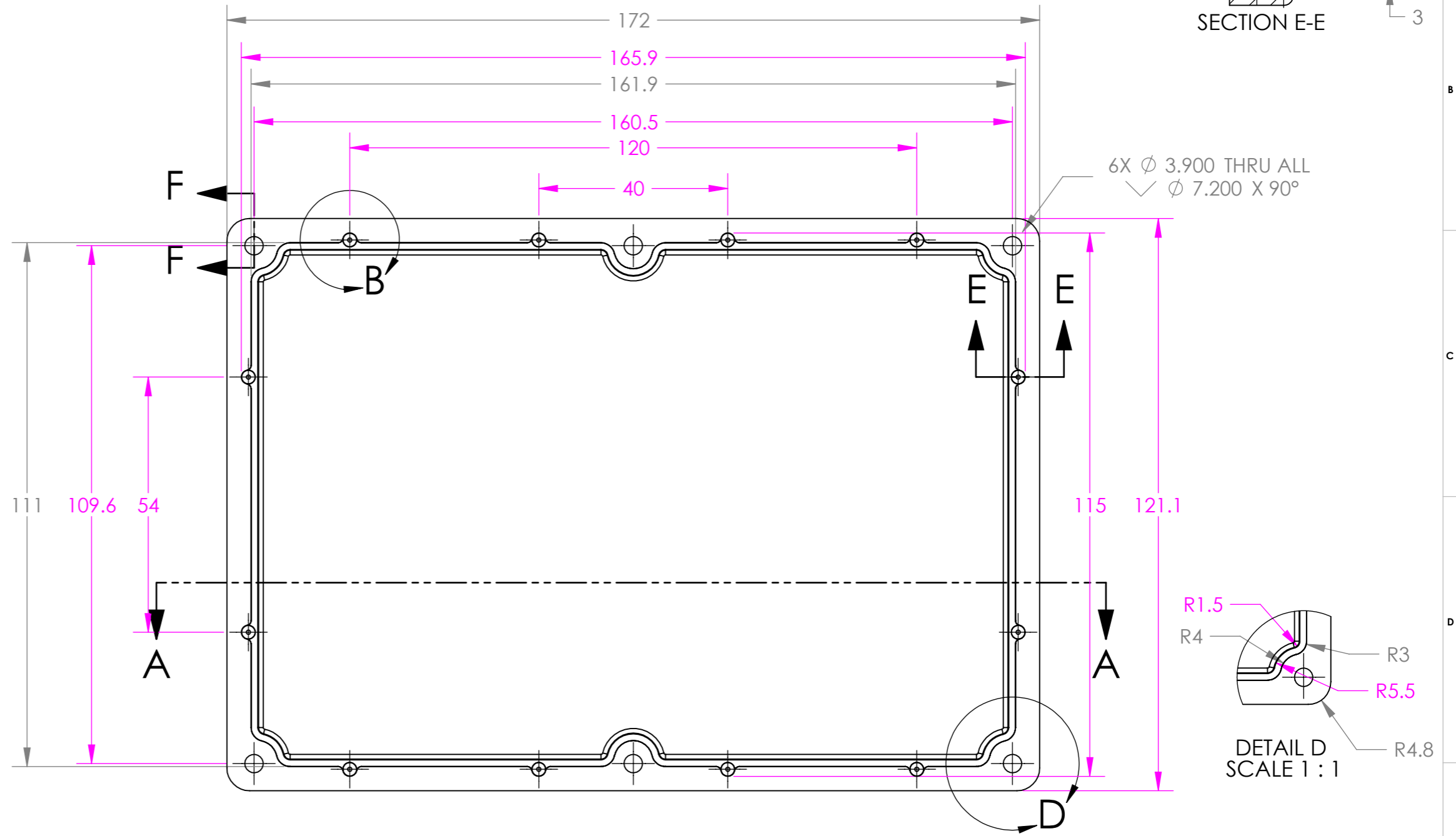
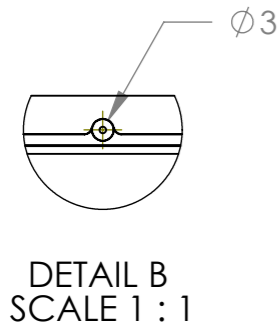
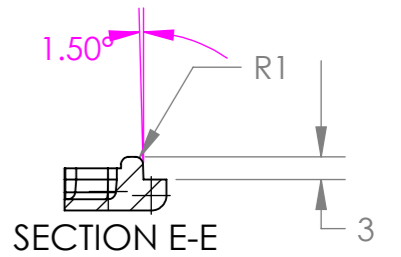
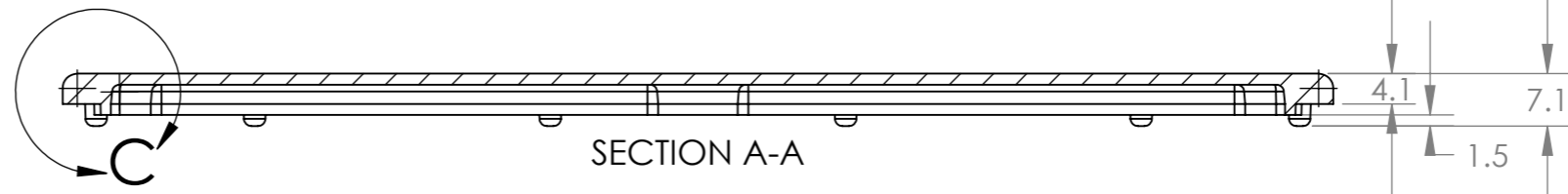
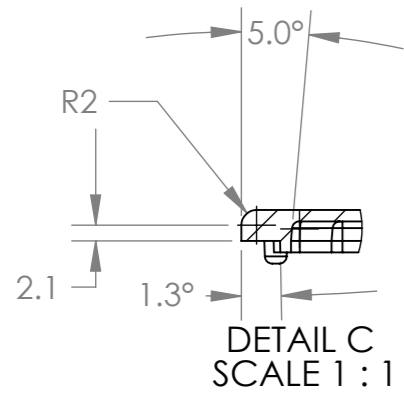
UNLESS OTHERWISE SPECIFIED:  
DIMENSIONS ARE IN MILLIMETRES  
LINEAR TOLERANCE:  
**NO DECIMAL PLACES ±0.5mm**  
**1 DECIMAL PLACE ±0.25mm**  
**2 DECIMAL PLACES ±0.125mm**  
ANGULAR TOLERANCE: ±1°

FINISH .  
DEBURR AND BREAK SHARP EDGES  
DRAWN BY B.SILLENCE  
APPROVED BY B.SILLENCE  
THIRD ANGLE PROJECTION  
IF IN DOUBT ASK DO NOT SCALE DRAWING  
MATERIAL DieCast Aluminium Alloy

DRAWING NO. F BOX FLANGED  
ISSUE 01  
Release

SHEET 1 OF 1  
SCALE 1:1  
A3

TITLE  
**PROCUREMENT SPECIFICATION FOR 'F' SIZE FLANGED BOX**



Tel No.+44(0)1724273200 Website www.dem-uk.com



**PROPRIETARY AND CONFIDENTIAL**  
THE INFORMATION CONTAINED IN THIS DRAWING IS THE SOLE PROPERTY OF ALPHA 3 MANUFACTURING.  
ANY REPRODUCTION IN PART OR AS A WHOLE WITHOUT THE WRITTEN PERMISSION OF ALPHA 3 MANUFACTURING IS PROHIBITED.

DEM Manufacturing, Deltron Emcon House  
Hargreaves Way, Sawcliffe Ind. Park,  
Scunthorpe, North Lincolnshire, DN15 8RF, UK

UNLESS OTHERWISE SPECIFIED:  
DIMENSIONS ARE IN MILLIMETRES  
LINEAR TOLERANCE:  
**NO DECIMAL PLACES  $\pm 0.5\text{mm}$**   
**1 DECIMAL PLACE  $\pm 0.25\text{mm}$**   
**2 DECIMAL PLACES  $\pm 0.125\text{mm}$**   
ANGULAR TOLERANCE:  $\pm 1^\circ$

FINISH .  
DEBURR AND BREAK SHARP EDGES  
DRAWN BY B.SILLENC  
APPROVED BY B.SILLENC  
THIRD ANGLE PROJECTION  
IF IN DOUBT ASK DO NOT SCALE DRAWING  
MATERIAL DieCast Aluminium Alloy

SHEET 1 OF 1  
SCALE 1:1  
A3

TITLE **PROCUREMENT SPECIFICATION FOR E/F SIZE BOX LID**  
DRAWING NO. **E / F LID**  
ISSUE **04**  
Release