

REVOLUTIONS		変更	ECN	DATE	DWN	APVD
J						
P	LTR	DESCRIPTION	ECN	DATE	DWN	APVD
	M	REDRAWN W/CHANGE	FJ00-0601-98	30 MAR 98	AY	AB
	M1	ECO-10-000030		05 JAN 10	KK	AEG

AMP PARTS NUMBER 型番	DIA 束線径 mm	Fig 図	DIMENSION 寸法												
			A	B	C	D	E	F	G	H	J	K	L	M	
1	171353-1	1~21	3	4.4	4.1	4.3	2.5	1.5	1.15	0.7	5.0	100.0	19.0	82.0	75.0
2	171353-2	2~32	2	6.8	4.5	5.0	3.3	∅0.9	1.3	∅0.9	∅2.5	154.0	—	—	—
3	171353-3	3~37	4	6.0	5.0	5.0	3.4	2.4	1.2	0.4	7.0	145.0	—	—	—
4	171353-4	3~44	2	7.5	5.8	5.8	4.0	∅1.0	1.2	∅1.0	∅2.8	186.0	—	—	—
5	171353-5	3~50	1	7.0	4.0	5.5	4.0	2.0	1.15	0.3	7.0	185.0	—	—	—
6	171353-6	3~50	1	7.6	5.5	5.5	4.5	3.0	1.3	0.4	10.0	185.0	—	—	—
7	171353-7	10~100	4	8.0	5.5	5.5	5.0	3.0	1.3	0.4	12.0	365.0	—	—	—
8	171353-8	10~100	4	11.8	7.3	7.0	7.8	5.0	2.0	0.6	10.0	365.0	—	—	—
9	171353-9	3~50	4	7.6	5.5	5.5	4.5	3.0	1.3	0.4	10.0	185.0	—	—	—
10	1-171353-1	1~21	3	4.4	4.1	4.3	2.5	1.5	1.15	0.7	5.0	100.0	19.0	82.0	75.0
11	1-171353-2	1~21	3	4.4	4.1	4.3	2.5	1.5	1.15	0.7	5.0	100.0	19.0	82.0	75.0
12	1-171353-3	1.6~19	3	4.8	4.0	4.4	2.5	—	1.2	—	—	101.5	—	—	—

△4 OBSOLETE

Fig-1
☒-1

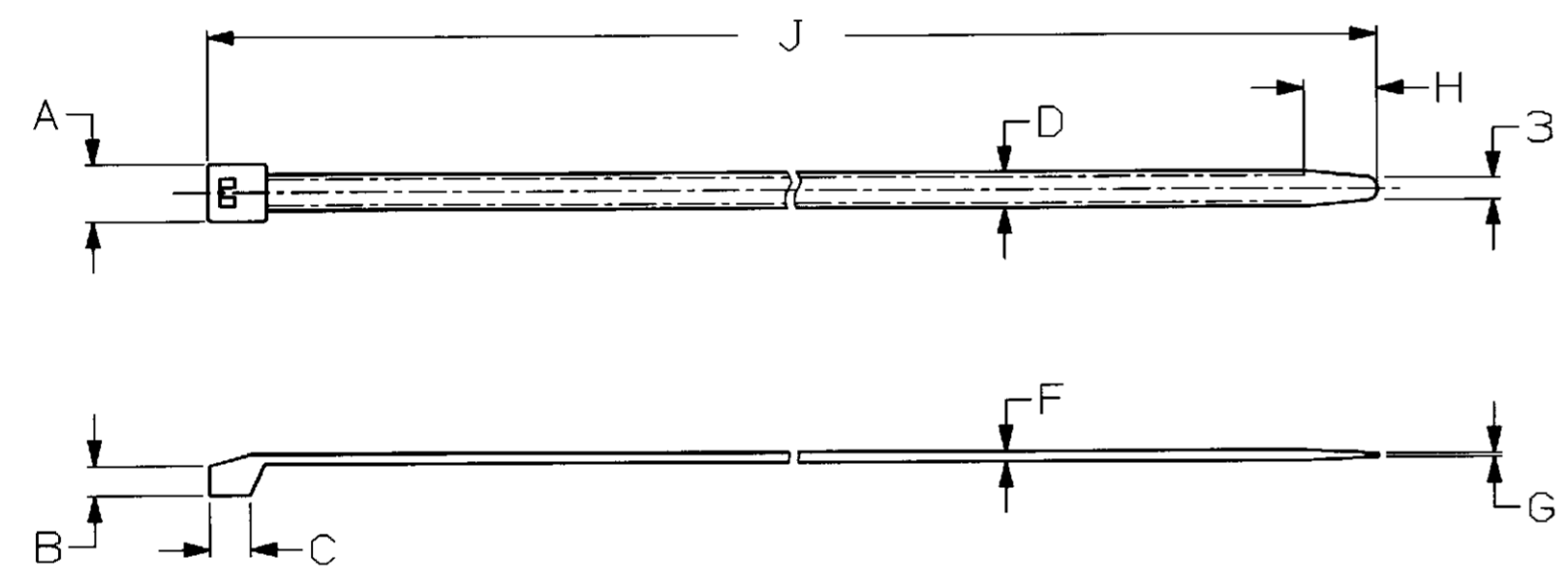


Fig-3
☒-3

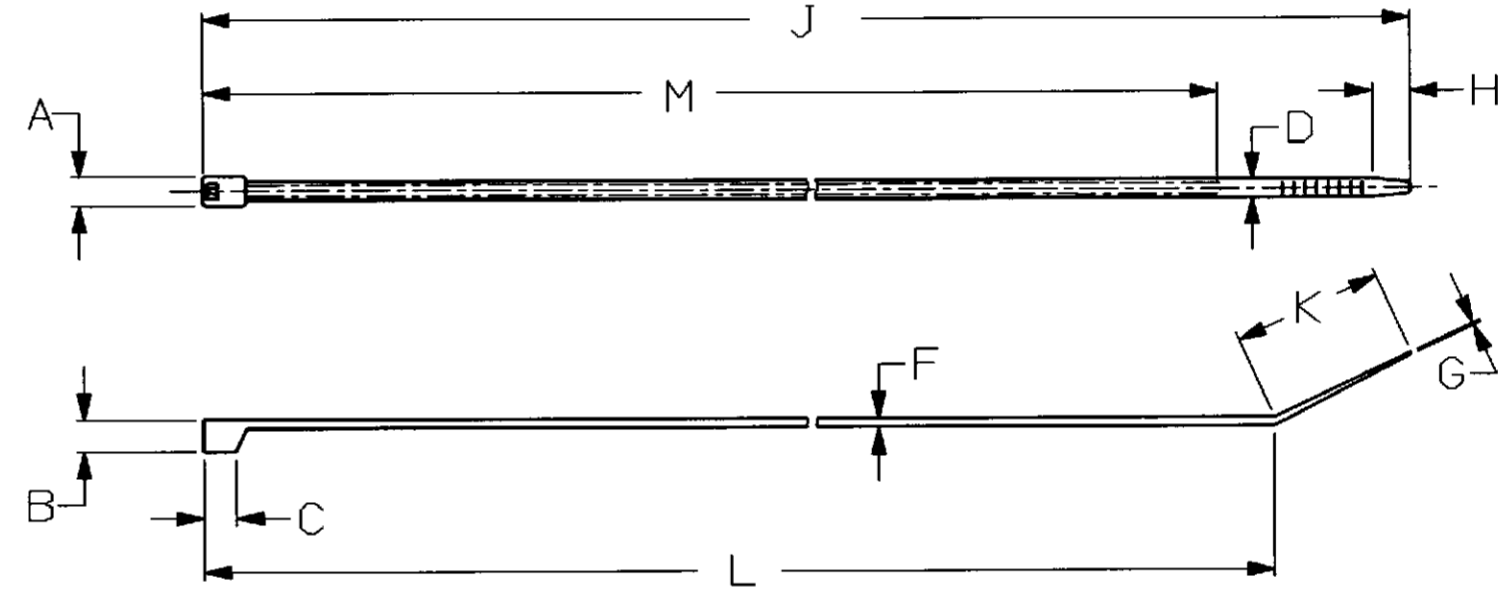


Fig-2
☒-2

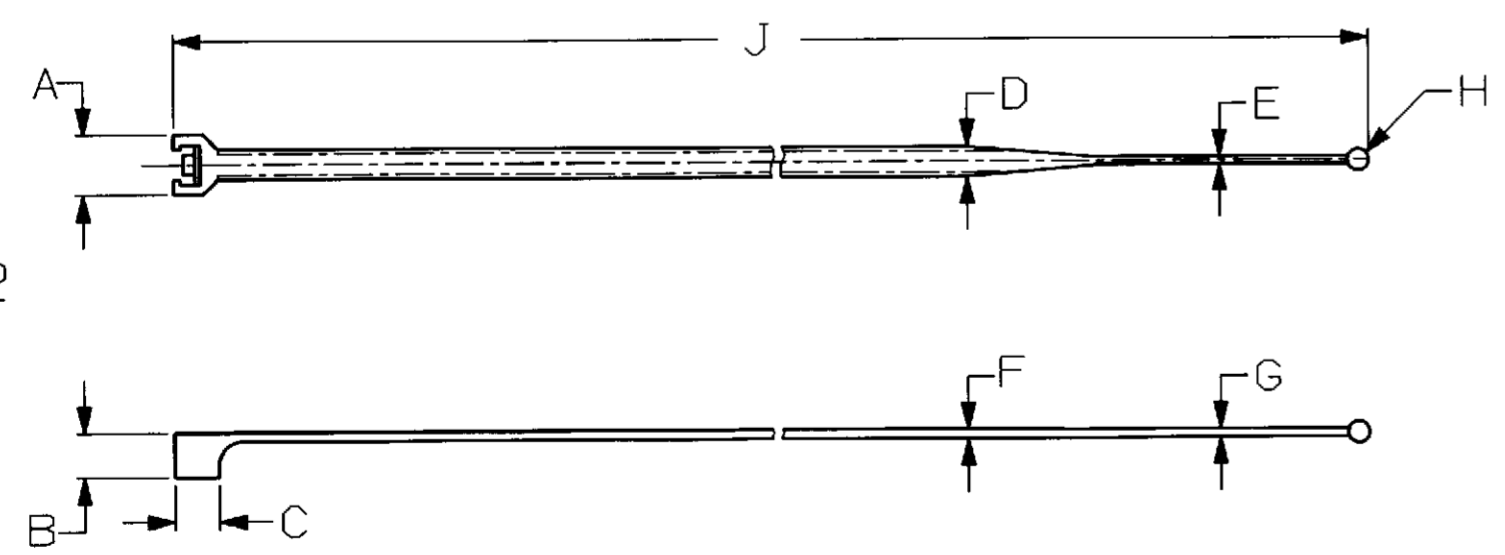
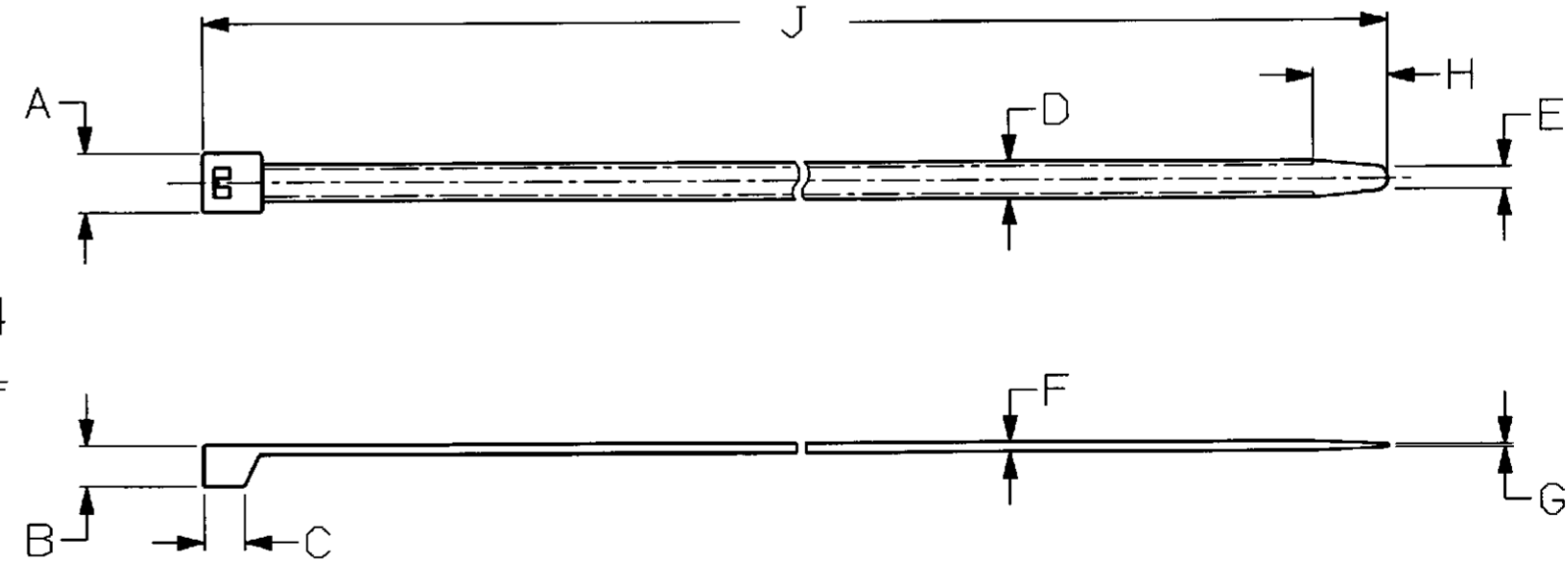


Fig-4
☒-4



- △1 1-171353-1 : DYED BLACK
- △2 1-171353-2 : UL94V-0
- △4 OBSOLETE PARTS: OBSOLETE CIS STREAMLINING PER D.RENAUD/D.SINISI
- △1 1-171353-1は 黒色に染色。
- △2 1-171353-2は 難燃性 UL-94V-0。

THIS DRAWING IS A CONTROLLED DOCUMENT FOR AMP INCORPORATED. IT IS SUBJECT TO CHANGE AND THE CONTROLLING ENGINEERING ORGANIZATION SHOULD BE CONTACTED FOR THE LATEST REVISION.		CHK A. Yamaguchi 30 MAR 98	INSULATION DIA 絶縁外径
DIMENSIONS 単位 純 mm		TOLERANCES UNLESS OTHERWISE SPECIFIED 一般公差 ±0.4	AMP 日本エーエムピー株式会社 Kawasaki, Japan
MATERIAL 材料 66 ナイロン	FINISH 仕上	NAME 名称 SK バインダー ケーブル タイ SK BINDER CABLE TIE	RESTRICTED TO ---
CUSTOMER DRAWING		SIZE A2	CAGE CODE 00779
		DRAWING NO. 171353	SCALE 1:1
		SHEET OF	REV M1