

RP110 Series

Compact Single Stage Power Line Filters



3A to 30 A Chassis Mount Filter

Specifications

Operating Frequency	50/60 Hz
Usable Frequency	DC - 400 Hz
Max. Operating Voltage*	250 V +10%
Ambient Temperature	-25 to 40°C
Climatic Category	25/100/21
Hipot Rating (L-G)	2700 VDC
Terminals (-T)	QD: 0.25 Tabs S: 30A (M4)
Safety Approvals	cURus, EN60939
Typ. Weight, lbs (kg)	0.4 (0.2)

*Available up to 300 VAC. Please contact us to verify specifications.

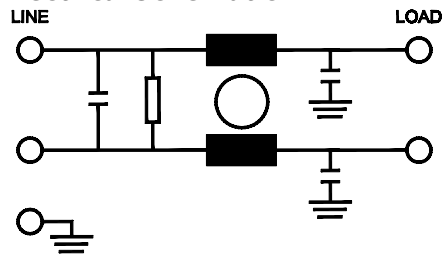
Part Number/Ordering

RP110	-X (Amps)	-Y (Ycap, nF)	-T
	3	0	QD
	6	0.47	QD
	10	1	QD
	20	2.2	QD
	30	4.7	S
		10	

Note: Use any combination of -Y with any -X (Amps) rating
e.g. RP110-3-2.2-QD (3 Amps with 2.2 nF Ycap)



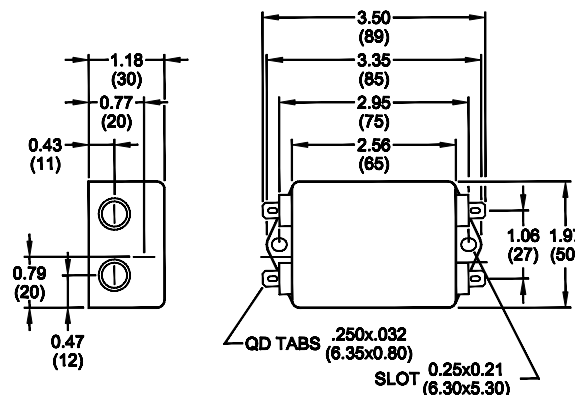
Electrical Schematic



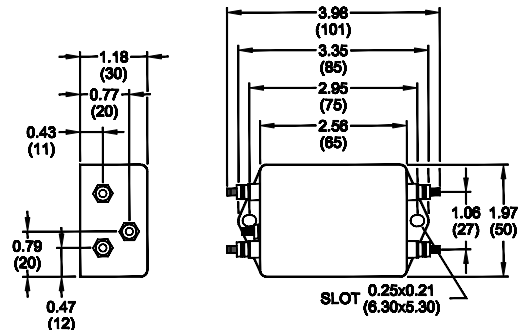
Mechanical Dimensions

TYPICAL TOLERANCE: +/-0.02" (0.50 mm)

3/6/10/20A



30A



Specifications are subject to change. Consult factory to verify specifications.

For more information on our filter products call us at: (800) 527-4362 or (714) 289-0055
LCR, Radius Power, and Filter Concepts are now part of Astrodyne TDI

RP110 Series

Compact Single Stage Power Line Filters



3 A to 30 A Chassis Mount Filter

Typical Insertion Loss, dB (50/50 Ohm)

Freq (MHz)	0.15	0.5	1.0	10	30
3 Amp					
CM(dB)	48	45	40	40	40
DM(dB)	30	48	60	55	55
6 Amp					
CM(dB)	40	40	40	40	40
DM(dB)	28	40	50	70	60
10 Amp					
CM(dB)	28	40	40	40	34
DM(dB)	28	40	54	70	66
20 Amp					
CM(dB)	15	24	30	54	54
DM(dB)	28	38	50	54	70
30 Amp					
CM(dB)	13	22	30	52	50
DM(dB)	20	32	50	55	60

Leakage Current

Y-cap, nF	mA, 120 V/60 Hz	mA, 250 V/60 Hz
0	0.0	0.0
0.47	0.04	0.08
1	0.09	0.18
2.2	0.2	0.4
4.7	0.4	0.8
10	0.9	1.8

Specifications are subject to change. Consult factory to verify specifications.

For more information on our filter products call us at: (800) 527-4362 or (714) 289-0055
LCR, Radius Power, and Filter Concepts are now part of Astrodyne TDI