

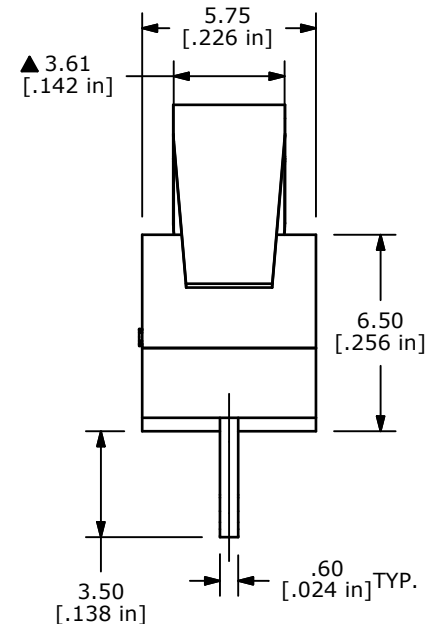
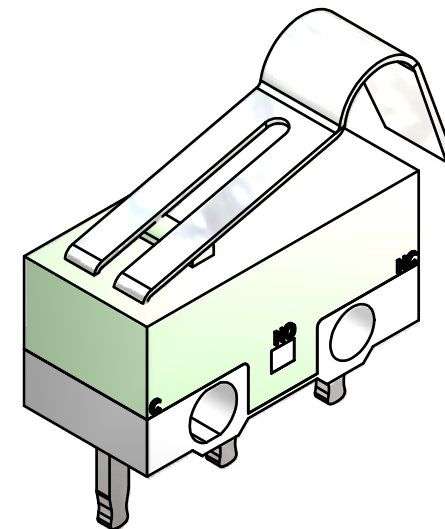
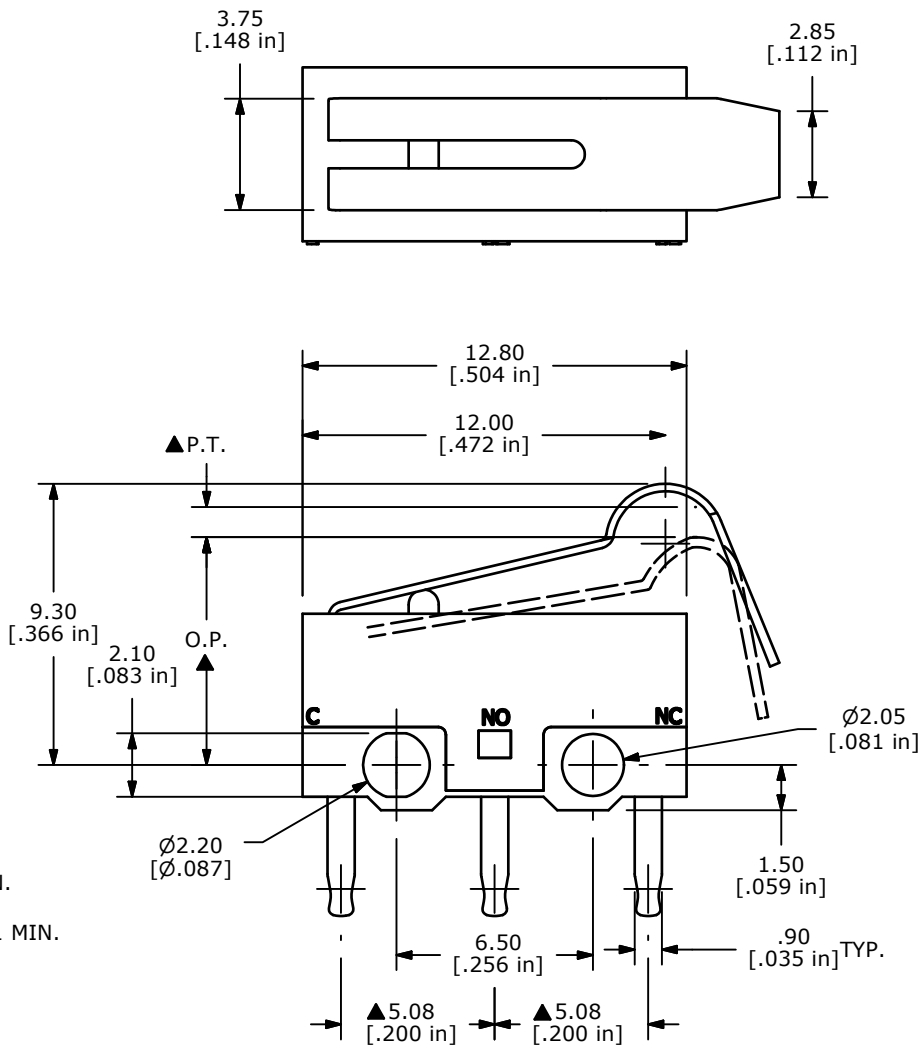
P.C. MOUNTING

O.P. (MM)	P.T. (MM)
7.75 +/-0.75	1.8 MAX.

O.P. = OPERATING POINT
P.T. = PRE-TRAVEL

NOTE:

- ALL DIMENSIONS IN MM [INCH]
- GENERAL TOLERANCE: X.X=±0.4
X.XX=±0.25
- TERM. NOS. FOR REFERENCE ONLY.
- ▲4. RATING: .1A @ 5V DC
- CONTACT MATERIAL: SILVER
- MECHANICAL LIFE: 300,000 CYCLES MIN.
- ELECTRICAL LIFE: 10,000 CYCLES MIN.
- DIELECTRIC STRENGTH: 1000VAC FOR 1 MIN.
- ▲9. OPERATING FORCE: 55gf
- OPERATING TEMP: -25° C TO 85° C
- ▲DENOTES CRITICAL PARAMETER
- 2002/95/EC (ROHS) COMPLIANT
- INSUL. RESISTANCE: 100 MEGA-OHMS MIN.



TITLE DM085Q103F055P1A				
SCALE	DATE	DR	DWG	REV
4:1	7/23/2007	BF	P030013	D

D	20203	UPDATE DRAWING	10/11/11	BMA
C	17500	REVISED AND REDRAWN	7/23/07	BF
REV	PCR NO	DESCRIPTION	DATE	BY

THE INFORMATION CONTAINED IN THIS DOCUMENT IS PROPRIETARY TO E-SWITCH AND IS NOT TO BE COPIED OR TRANSFERRED