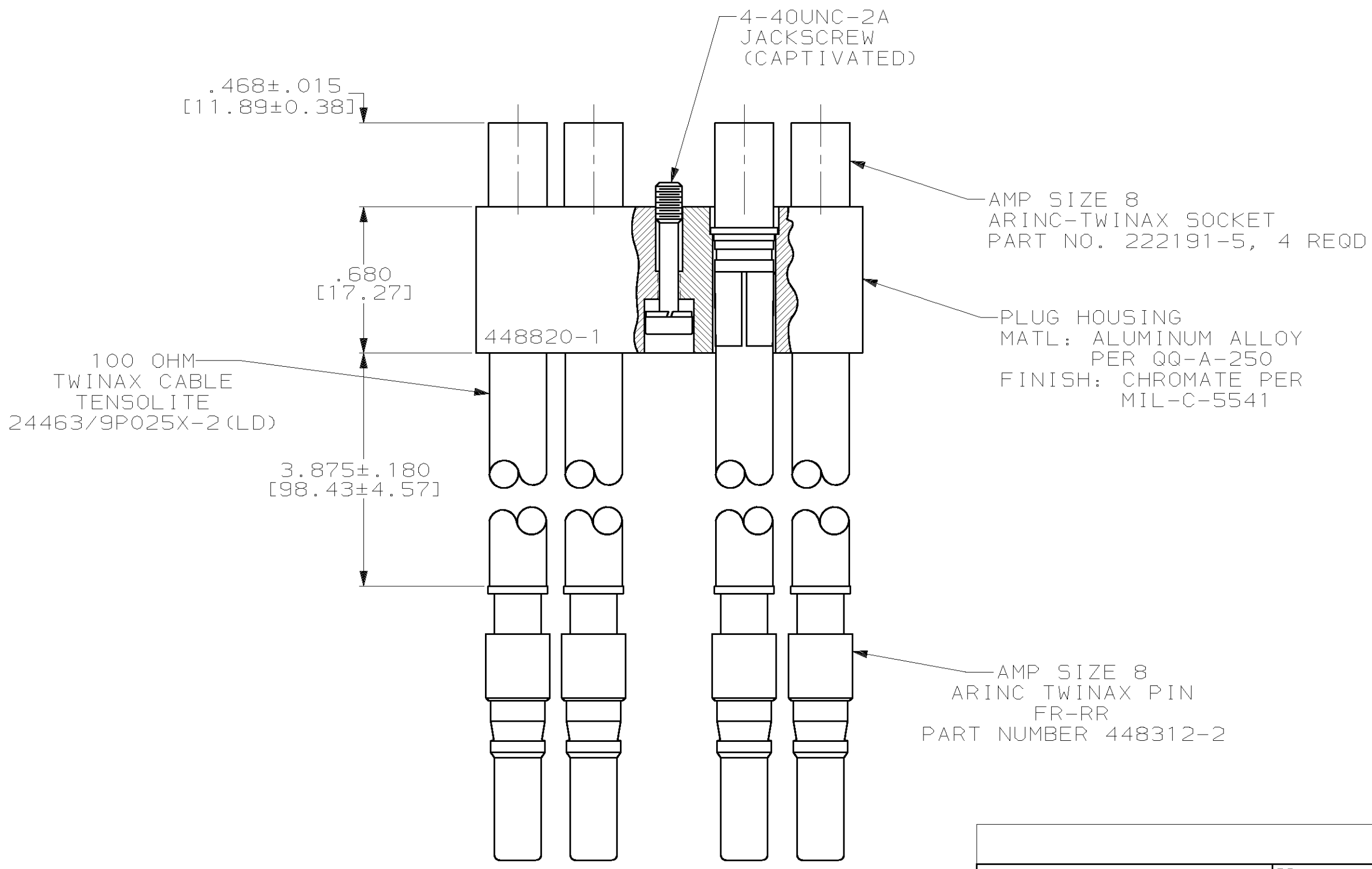
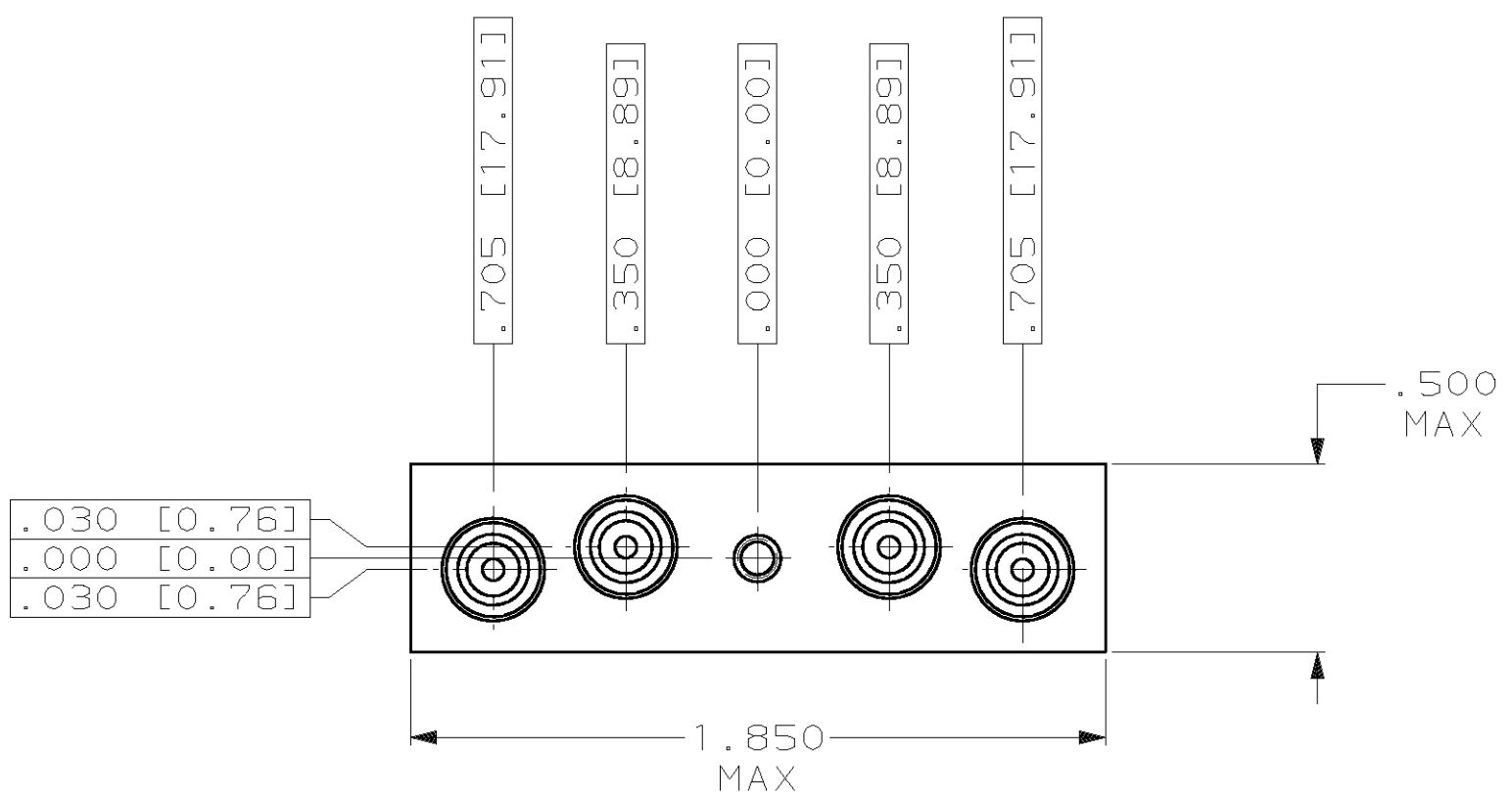


REVISIONS									
LOC	DIST	P	F	ZONE	LTR	DESCRIPTION	DATE	APPD	
DF	AO				F	REV PER 0G3D-0579-00	CT	1-01	SG



1 CONNECTOR IS SUPPLIED WITH TERMINATED CABLE INSTALLED.

THIS DRAWING IS A CONTROLLED DOCUMENT FOR AMP INCORPORATED. IT IS SUBJECT TO CHANGE AND THE CONTROLLING ENGINEERING ORGANIZATION SHOULD BE CONTACTED FOR THE LATEST REVISION.

		448820-1	
		PART NO	
DO NOT SCALE PRINT. UNLESS SPECIFIED DIMENSIONS IN INCHES [mm] TOLERANCES ON : 2 PLC DEC ± - 3 PLC DEC ±.005 [0.13] ANGLES ± -		DR 8-13-93 W.D.KISELA CHK 8-25-93 S.WRIGHT APPD 8-25-93 S.WRIGHT APPD 8-25-93 S.WRIGHT	
MATERIAL SEE CALLOUTS		NAME PLUG CONNECTOR KIT, 4 POSN, WITH SIZE 8 TWINAX CABLE ASSEMBLY	
FINISH SEE CALLOUTS		PRODUCT SPEC -	
		APPLICATION SPEC -	
		SIZE C	CAGE CODE 00779
		DRAWING NO C=448820	
		WEIGHT -	SCALE 2:1
		SHEET 1 OF 1	