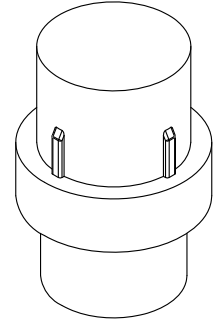
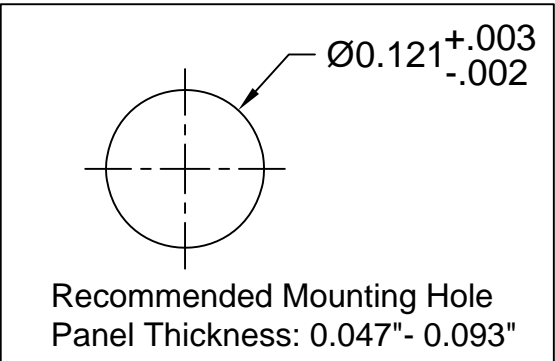
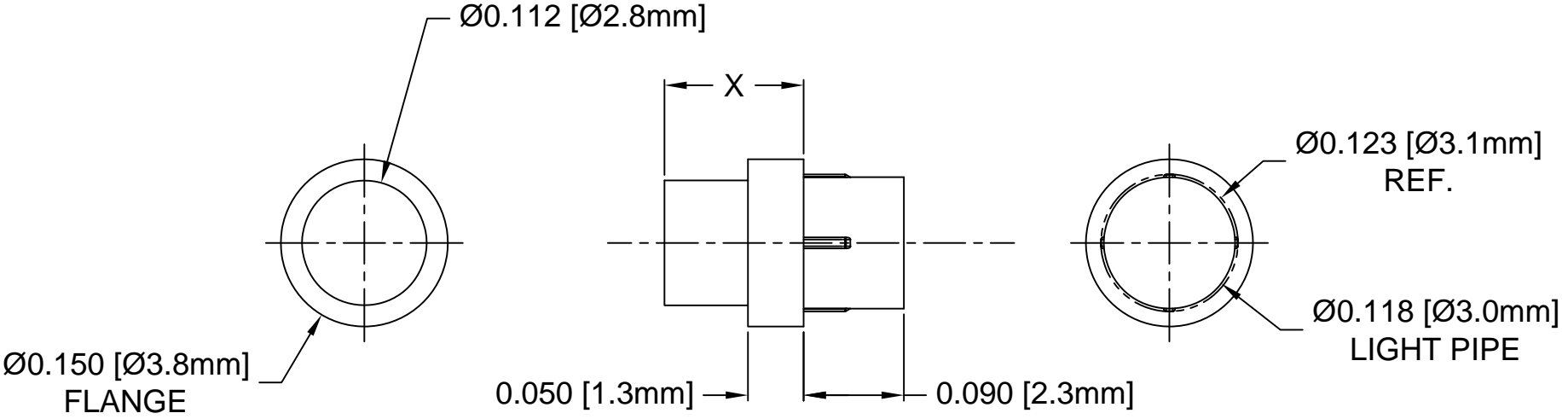


| Part No. | X = Body Length |
|---------------|------------------|
| PLP1-100-FD | 0.100 (2.5mm) |
| PLP1-125-FD | 0.125 (3.2mm) |
| PLP1-2.5MM-FD | 2.5mm (0.100") |
| PLP1-3MM-FD | 3mm (0.118") |

| REV. | DESCRIPTION | DATE | APPROVED |
|------|---------------------|----------|----------|
| A | Engineering Release | 07/15/15 | J. C. |
| | | | |
| | | | |
| | | | |



- 2. MATERIAL: POLYCARBONATE, 94V-0, WHITE DIFFUSED.
- 1. GENERAL SPECIFICATIONS: BIVAR MOLDED COMPONENT SPECIFICATION BV00-E101 and BSMC-1001.

| | | | |
|--|---|--|---|
| STANDARD TOLERANCE (UNLESS OTHERWISE SPECIFIED) | | 4 THOMAS, IRVINE, CA. 92618 TEL: (949) 951-8808 FAX: (949) 951-3974 | |
| DECIMALS | ANGULAR | | |
| .X ± .1 | X° ± 1° | | TITLE: PRESS-FIT, PANEL MOUNT, LIGHT PIPE, FLAT TOP, DIFFUSED |
| .XX ± .01 | | | |
| .XXX ± .005 | | DESIGNED: Brian Oliver DATE: 04/02/15 | PART NO: PLP1-XXX-FD REVISION: A |
| CHECKED: A. Wright DATE: 04/02/15 | CAGE CODE : 32559 SHEET # 1 OF 1 | CAD GENERATED DOCUMENT. DO NOT MEASURE DRAWING. | |