

4 3 2 1

THIS DRAWING IS UNPUBLISHED. RELEASED FOR PUBLICATION
 © COPYRIGHT - TE Connectivity Ltd. ALL RIGHTS RESERVED.

REVISIONS

| P | LTR | DESCRIPTION | DATE | DWN | APVD |
|---|-----|---------------|-----------|-----|------|
| | C | ECR-17-013893 | 10JAN2018 | FL | HL |

NOTE:

- MATERIAL:
 HOUSING: NY9T UL 94V-0, COLOR: (SEE TABLE).
 CAP: LCP UL 94V-0, COLOR: BLACK.
 CONTACTS: PHOSPHOR BRONZE.
- FINISH:
 CONTACTS: (SEE TABLE) GOLD PLATED ON CONTACT AREA, 2.54um [100u"] MIN. MATTE-TIN ON SOLDER TAIL, WITH ENTIRE CONTACT UNDERPLATED 1.27um [50u"] MIN. NICKEL.
- REFLOW SOLDER CAPABLE TO 260°C PER TEST SPEC. TEC-109-201, CONDITION B.
- WEIGHT:
 36 POS.: 2.9 GRAMS
 64 POS.: 4.0 GRAMS
 98 POS.: 5.4 GRAMS
 164 POS.: 9.1 GRAMS

⚠ FOR REFLOW PROCESS, THE CAP MUST BE ATTACHED, IT WILL PROTECT HOUSING WARPAGE.

| | | |
|----------|--------------------|-------------|
| | 0.762um[30u"] MIN. | X-1734857-5 |
| | 0.381um[15u"] MIN. | X-1734857-4 |
| OBSELETE | 0.254um[10u"] MIN. | X-1734857-3 |
| OBSELETE | -0.127um[5u"] MIN. | X-1734857-2 |
| | 0.0254um[1u"] MIN. | X-1734857-1 |
| | GOLD PLATING | PART NUMBER |

| COLOR | 87 | 70 | 71.65 | 89 | 164 | 8- | -X |
|----------------|----|----|-------|----|-----------------|-------------|----|
| BLACK | 54 | 37 | 38.65 | 56 | 98 | 7- | -X |
| | 37 | 20 | 21.65 | 39 | 64 | 6- | -X |
| | 23 | 6 | 7.65 | 25 | 36 | 5- | -X |
| WHITE (NATURE) | 87 | 70 | 71.65 | 89 | 164 | 4- | -X |
| | 54 | 37 | 38.65 | 56 | 98 | 3- | -X |
| | 37 | 20 | 21.65 | 39 | 64 | 2- | -X |
| | 23 | 6 | 7.65 | 25 | 36 | 1-1734857-X | |
| | D | C | B | A | POSITION NUMBER | PART NUMBER | |

THIS DRAWING IS A CONTROLLED DOCUMENT.

| | | | |
|-------------------|---|--|---|
| DIMENSIONS: mm | TOLERANCES UNLESS OTHERWISE SPECIFIED: 0 PLC ± - 1 PLC ± 0.3 2 PLC ± 0.2 3 PLC ± 0.15 4 PLC ± - ANGLES ± 3' | DWN B. HSING 05JUN2009 CHK S. CHIEN 05JUN2009 APVD W. KODAMA 05JUN2009 PRODUCT SPEC 108-57854 APPLICATION SPEC - | NAME PCI EXPRESS CARD EDGE CONNECTOR STRADDLE MOUNT TYPE |
| MATERIAL SEE NOTE | FINISH SEE NOTE | WEIGHT 0 | SIZE A3 CAGE CODE 00779 C=1734857 |
| CUSTOMER DRAWING | | SCALE 1:1 | SHEET 1 OF 4 REV C |

TE Connectivity Ltd.

1470-19 (1/15)

4

3

2

1

THIS DRAWING IS UNPUBLISHED.

RELEASED FOR PUBLICATION

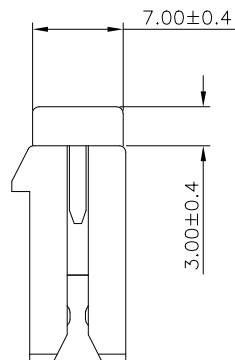
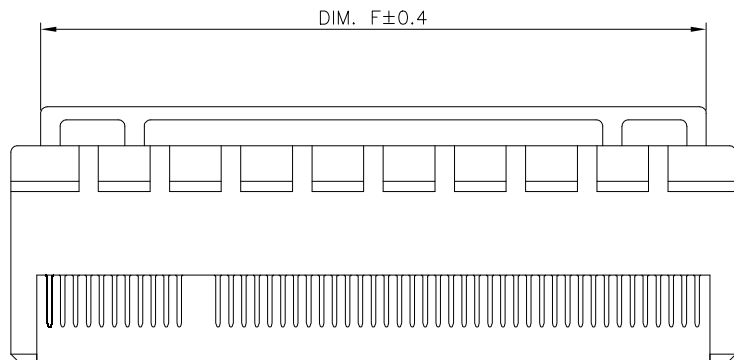
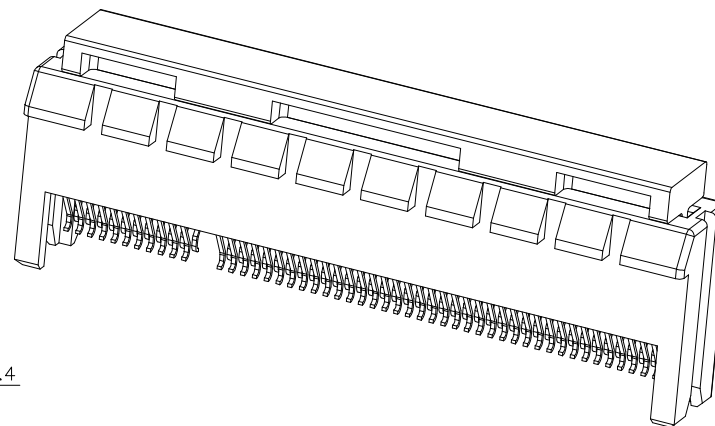
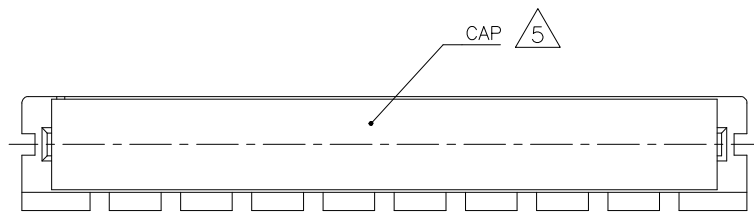
-. - .

© COPYRIGHT - TE Connectivity Ltd.

ALL RIGHTS RESERVED.

REVISIONS

| P | LTR | DESCRIPTION | DATE | DWN | APVD |
|---|-----|-------------|------|-----|------|
| - | - | SEE SHEET 1 | - | - | - |



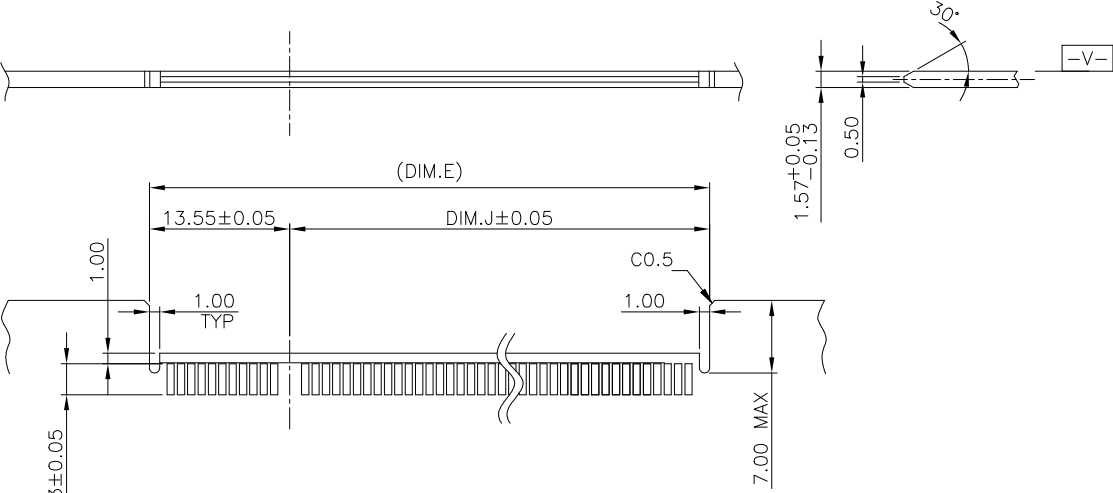
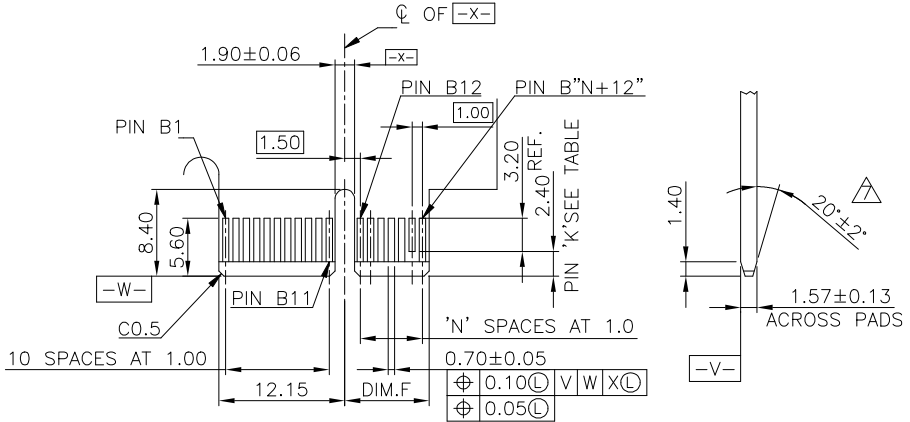
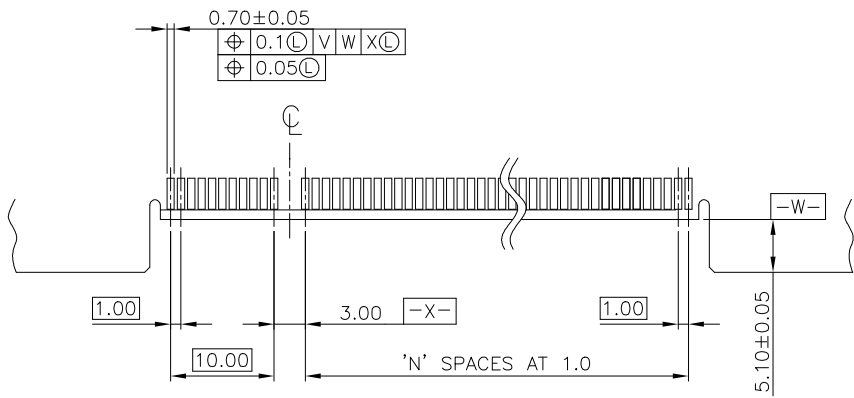
△ 5 ASSEMBLY WITH CAP CONDITION

| | |
|----------|-------|
| 36 | 20.4 |
| 64 | 34.4 |
| 98 | 51.4 |
| 164 | 84.4 |
| POSITION | DIM F |

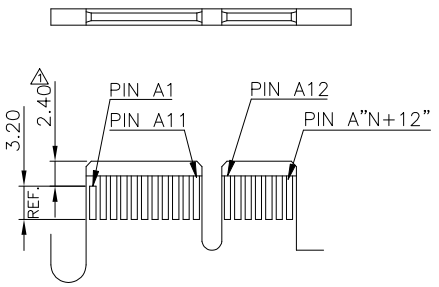
| | | | | |
|---|--|--------------------------------|--|--------------------|
| THIS DRAWING IS A CONTROLLED DOCUMENT. | | DWN B. HSING 05JUN2009 | TE Connectivity Ltd. | |
| | | CHK S. CHIEN 05JUN2009 | | |
| DIMENSIONS: mm | | APVD W. KODAMA 05JUN2009 | NAME PCI EXPRESS CARD EDGE CONNECTOR STRADDLE MOUNT TYPE | |
| | | PRODUCT SPEC 108-57854 | - | |
| TOLERANCES UNLESS OTHERWISE SPECIFIED: | | APPLICATION SPEC | - | |
| 0 PLC ± - 1 PLC ± 0.3 2 PLC ± 0.2 3 PLC ± 0.15 4 PLC ± - ANGLES ± 3° | | WEIGHT 0 | SIZE A3 | CAGE CODE 00779 |
| MATERIAL SEE NOTE | | FINISH SEE NOTE | DRAWING NO C=1734857 | |
| | | CUSTOMER DRAWING | | RESTRICTED TO - |
| | | SCALE 1:1 | SHEET 2 OF 4 | REV C |

THIS DRAWING IS UNPUBLISHED. RELEASED FOR PUBLICATION
 © COPYRIGHT - TE Connectivity Ltd. ALL RIGHTS RESERVED.

| REVISIONS | | | | | |
|-----------|-----|-------------|------|-----|------|
| P | LTR | DESCRIPTION | DATE | DWN | APVD |
| - | - | SEE SHEET 1 | - | - | - |



I/O PANEL DIRECTION
 PRIMARY (COMPONENT) SIDE



SECONDARY (SOLDER) SIDE
 PCI-E ADD-IN CARD EDGE-FINGER DIMENSION.

RECOMMENDED PCB LAYOUT
 PCB TOLERANCE: ±0.05

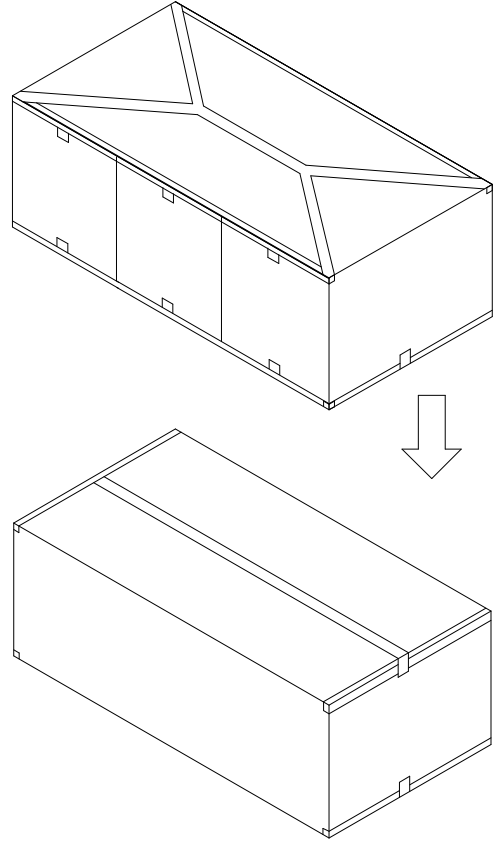
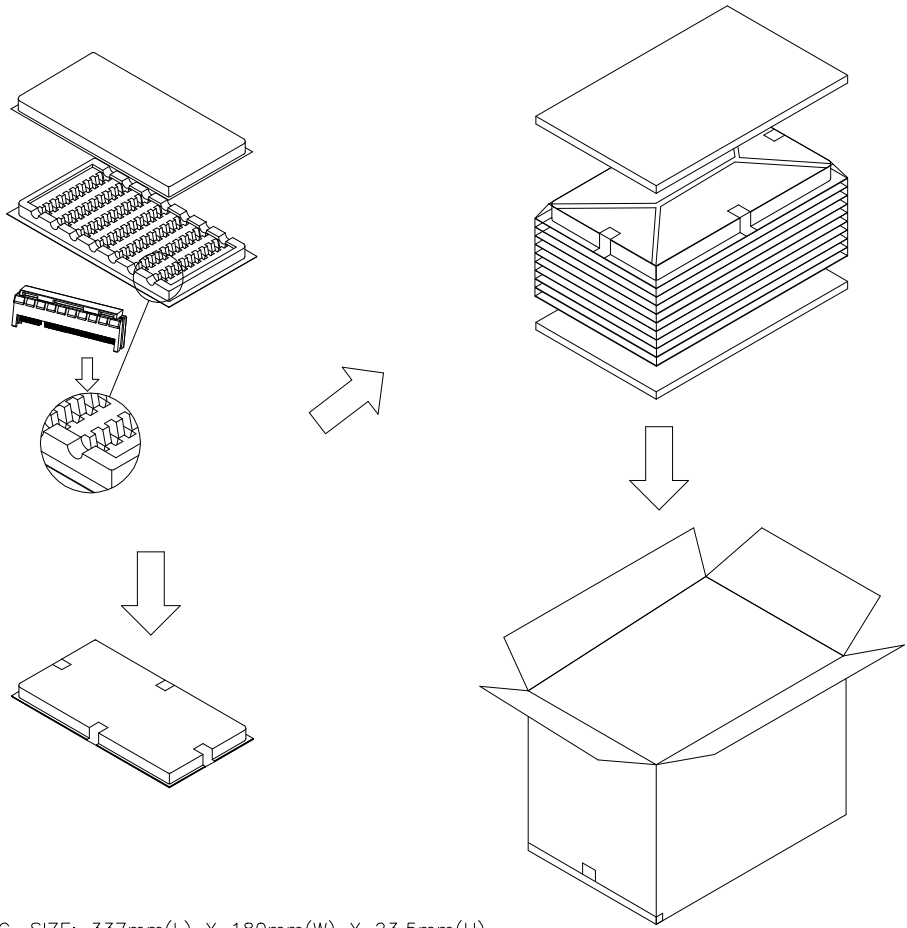
| | | | | | |
|------|----|-------|-------|-------|-----------------|
| 164 | 70 | 87.1 | 73.55 | 72.15 | B17,B31,B48,B81 |
| 98 | 37 | 54.1 | 40.55 | 39.15 | B17,B31,B48 |
| 64 | 20 | 37.1 | 23.55 | 22.15 | B17,B31 |
| 36 | 6 | 23.1 | 9.55 | 8.15 | B17 |
| POS. | N | DIM.E | DIM.J | DIM.F | "K" |

6. NO TIE BAR PERMITTED FROM CARD EDGE TO LEADING EDGE OF PAD FOR PINS A1 AND "K"
 CHAMFER EDGE MUST BE FREE OF CUTTING BURRS

| | | | | | | | |
|---|--|--------------------------------|--|--------------------|-------------------------|---------------------------|--|
| THIS DRAWING IS A CONTROLLED DOCUMENT. | | DWN B. HSING 05JUN2009 | TE Connectivity Ltd. PCI EXPRESS CARD EDGE CONNECTOR STRADDLE MOUNT TYPE | | | | |
| DIMENSIONS: mm | | CHK S. CHIEN 05JUN2009 | | | | NAME | |
| TOLERANCES UNLESS OTHERWISE SPECIFIED: 0 PLC ± - 1 PLC ± - 2 PLC ± - 3 PLC ± - 4 PLC ± - ANGLES ± - | | APVD W. KODAMA 05JUN2009 | | | | PRODUCT SPEC 108-57854 | |
| MATERIAL SEE NOTE | | FINISH SEE NOTE | | | | APPLICATION SPEC - | |
| | | WEIGHT 0 | SIZE A3 | CAGE CODE 00779 | DRAWING NO C=1734857 | | |
| CUSTOMER DRAWING | | | SCALE 1:1 | SHEET 3 OF 4 | REV C | | |

THIS DRAWING IS UNPUBLISHED. RELEASED FOR PUBLICATION
 © COPYRIGHT - TE Connectivity Ltd. ALL RIGHTS RESERVED.

| REVISIONS | | | | | |
|-----------|-----|-------------|------|-----|------|
| P | LTR | DESCRIPTION | DATE | DWN | APVD |
| - | - | SEE SHEET 1 | - | - | - |



- NOTES:
1. TRAY : PVC, SIZE: 337mm(L) X 180mm(W) X 23.5mm(H).
 2. CARTON : CORRUGATED, SIZE: 353mm(L) X 199mm(W) X 223mm(H).
 3. CARTON TRANSPARENT BAG : PE, SIZE: 560mm(L) X 400mm(W) X 0.05mm(H).
 4. E.P.E SIZE: 336mm(L) X 182mm(W) X 8mm(H).
 5. BOX TRANSPARENT BAG : PE, SIZE: 600mm(L) X 590mm(W) X 0.06mm(H).
 6. BOX : CORRUGATED, SIZE: 603mm(L) X 371mm(W) X 240mm(H).
 7. QUANTITY: SEE TABL

| 164 | 30 | 300 | 900 | 8.2 | 12.1 |
|---------|-----------------|-------------------|----------------|-----------------|-------------------|
| 98 | 40 | 400 | 1200 | 6.5 | 10.4 |
| 64 | 60 | 600 | 1800 | 7.2 | 11.1 |
| 36 | 70 | 700 | 2100 | 6.1 | 10.0 |
| POS No. | PIECES PER TRAY | PIECES PER CARTON | PIECES PER BOX | NET WEIGHT (Kg) | GROSS WEIGHT (Kg) |

THIS DRAWING IS A CONTROLLED DOCUMENT.

| | | | |
|---------------------------|--------------------|--|---------------|
| DWN B. HSING | 05JUN2009 | TE Connectivity Ltd. PCI EXPRESS CARD EDGE CONNECTOR STRADDLE MOUNT TYPE | RESTRICTED TO |
| CHK S. CHIEN | 05JUN2009 | | |
| APVD W. KODAMA | 05JUN2009 | | |
| PRODUCT SPEC 108-57854 | | | |
| MATERIAL SEE NOTE | FINISH SEE NOTE | APPLICATION SPEC WEIGHT 0 SIZE A3 CAGE CODE 00779 DRAWING NO C=1734857 | SCALE 1:1 |
| CUSTOMER DRAWING | | SHEET 4 OF 4 | REV C |