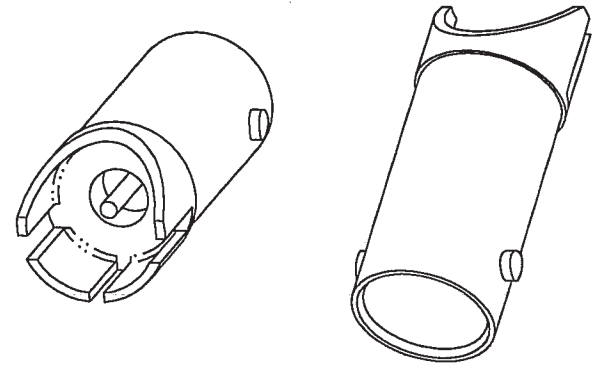


DASH NO	BOARD THICKNESS
-1	.060-.064
-2	.028-.033

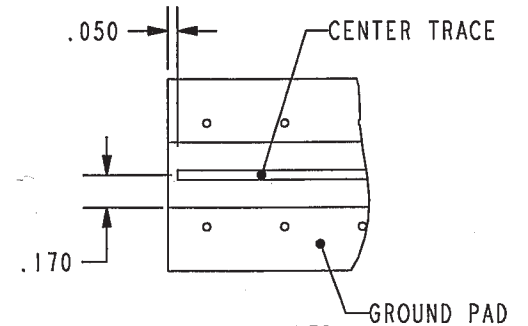
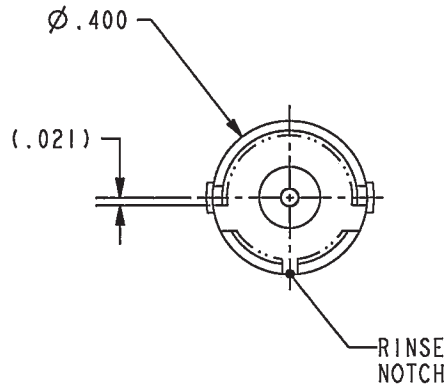
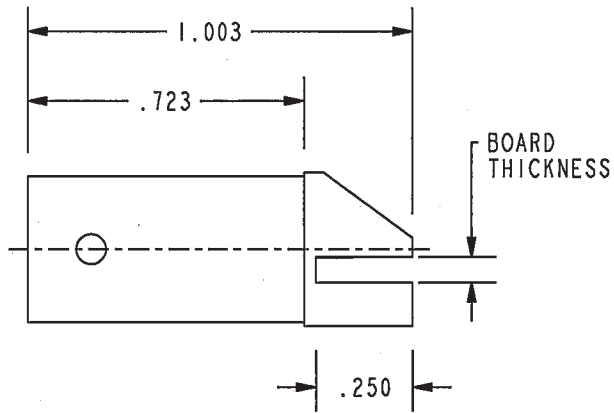
DATA CONTAINED IN THIS DOCUMENT IS PROPRIETARY TO TROMPETER ELECTRONICS INC. AND SHALL NOT BE DISCLOSED, COPIED OR USED FOR PROCUREMENT OR MANUFACTURE WITHOUT EXPRESS WRITTEN PERMISSION.

REVISIONS			
REV	DESCRIPTIONS	DATE	APPROVED
E	REVISED PER ECO 15761	2-3-05	WJ

RED INDICATES ORIGINAL



SCALE 2/1



RECOMMENDED
PCB LAYOUT
SCALE 1/1


3. EXAMPLE OF COMPLETE MODEL NO.



2. FINISH: BODY: TFS-1B (GOLD, 1G)
CONTACT: TFS-1B (GOLD, 5G)

1. 75Ω CIRCUIT BOARD EDGE MOUNT
"BNC" STYLE RECEPTACLE

NOTES: UNLESS OTHERWISE SPECIFIED.

INTERPRET DRAWING PER MIL-STD-100. DIMENSIONS ARE IN INCHES AND INCLUDE FINISH THICKNESS UNLESS OTHERWISE SPECIFIED.		TOL: UNLESS SPECIFIED. .XX ± .02 .XXX ± .010 ANGLE ± 1°		 <p>a cinch connectivity solutions brand</p>	
DRW	AAH	2-1-05	MATERIAL:		
CHK	T.K.H.	2-1-05	FINISH:	UCBJE20	SIZE
QUALITY	M.S.	2/2/05			
WAPR	BP	2/2/05	APPROVED	DRAWING NO.	REV.
APPROVED	WJ	2/1/05			
NEXT ASSY		PROJ. CAGE NO.	DO NOT SCALE DWG	SCALE	DATE
		1-0582		2/1	3-21-02
					SHEET
					IC