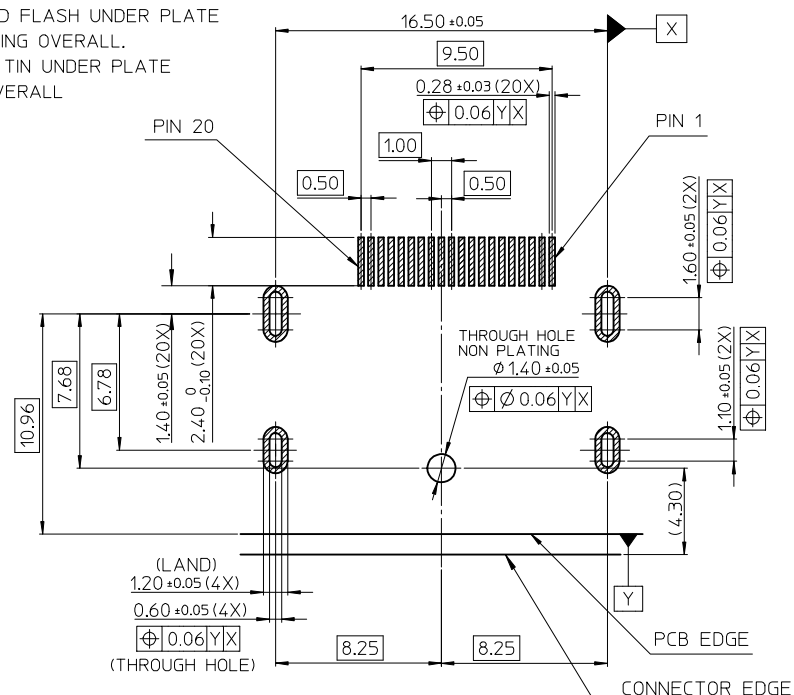
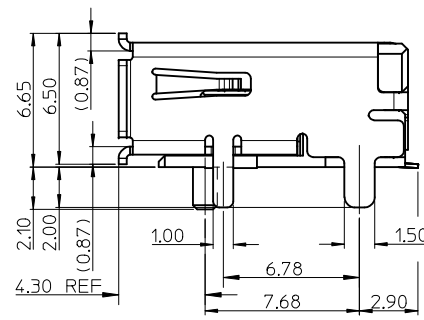
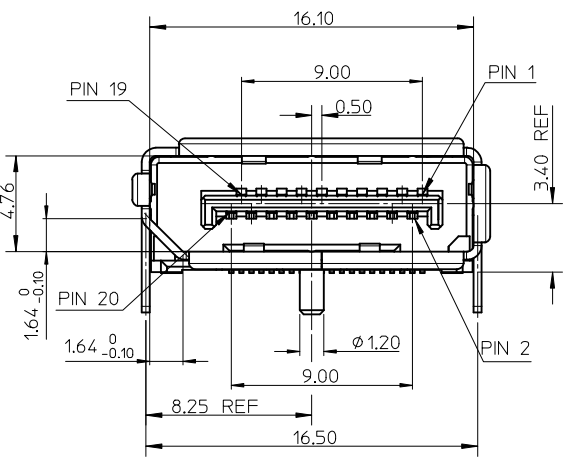
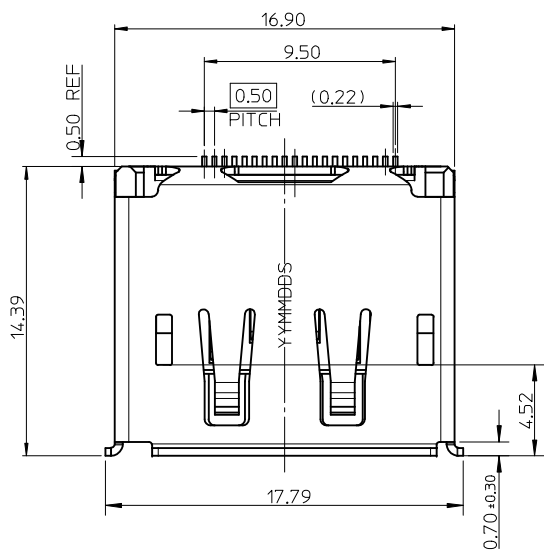
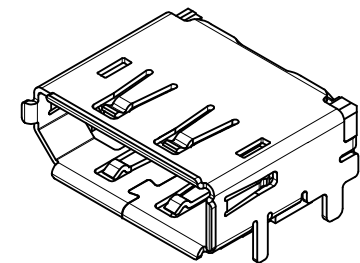
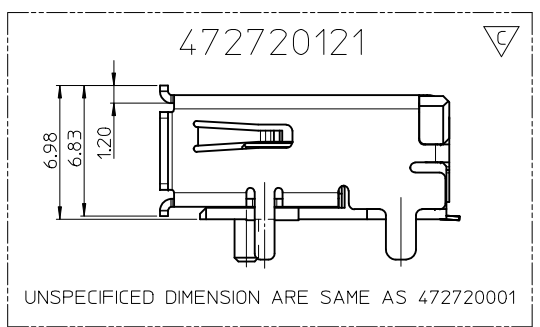


NOTES:

- MATERIAL:
HOUSING: LIQUID CRYSTAL POLYMER, BLACK, 30% GLASS FILLED, UL94V-0.
TERMINAL: BRASS.
SHELL: STAINLESS STEEL FOR WITHOUT FLANGE PART & PHOSPHOR BRONZE FOR WITH FLANGE PART
- PLATING:
TERMINAL:
CONTACT AREA: (1). 0.76 MICROMETER (30 μ) GOLD PLATING
(2). 0.38 MICROMETER(15 μ) GOLD PLATING
(3). GOLD FLASH PLATING
AND SOLDER TAIL: 1~3 MICROMETER(39~118μ) MATT TIN UNDER PLATE
2~4 MICROMETER(79~158μ) NICKEL PLATING OVERALL.
- SHELL:
(a). 1.27~2.54 MICROETER(50~100μ) SOLDERABLE NICKEL PLATING OVERALL.
(b). SHEEL PEG SOLDERING SURFACE PLATE GOLD FLASH UNDER PLATE
1~3 MICROMETER(39~118μ) NICKEL PLATING OVERALL.
(c). SHELL PLATE 2.0~4.0 MICROMETER(79~158μ) TIN UNDER PLATE
1.27~3.0 MICROERER(50~118μ) NICKEL OVERALL
- SOLDERTAIL COPLANARITY 0.10 MAX.
- PS REFER TO PS-47272-001



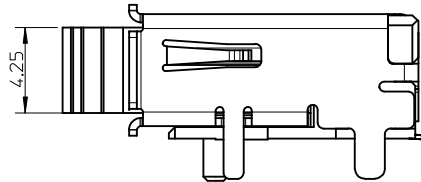
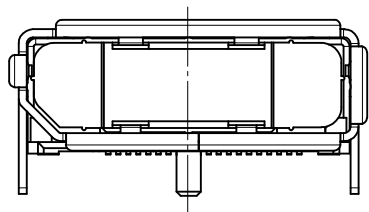
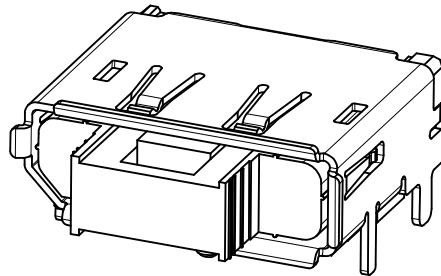
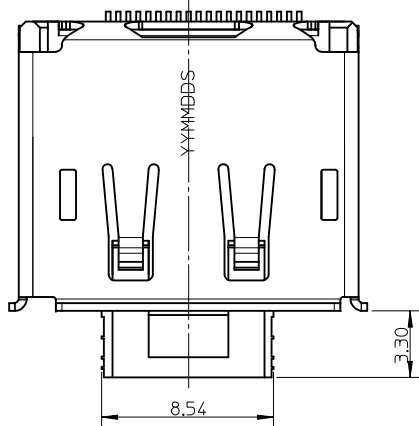
RECOMMENDED PCB LAYOUT(THICKNESS=1.6±0.15)



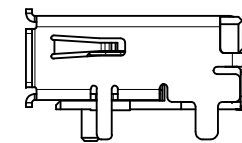
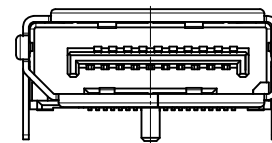
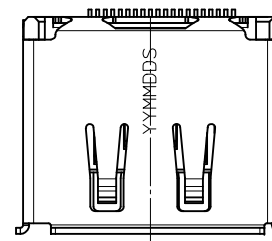
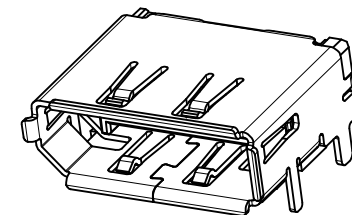
REVISED EC NO: SH2015-0381 DRWR:RZHANG 2015/03/19 CHKD: APPR:AYIN 2015/04/29	DESCRIPTION	QUALITY SYMBOLS	GENERAL TOLERANCES (UNLESS SPECIFIED)		DIMENSION STYLE	SCALE	DESIGN UNITS	THIRD ANGLE PROJECTION	
		▽=0	mm	INCH	MM ONLY	1:1	METRIC	⊙ □	
		▽=0	4 PLACES ± ---	± ---	DRAWN BY	DATE	TITLE	1.0MM PITCH DISPLAY PORT RECEPTACLE ASSEMBLY	
		▽=0	3 PLACES ± ---	± ---	CHECKED BY	DATE	MOLEX INCORPORATED		
		ANGULAR ± 3 °	2 PLACES ± 0.25	± ---	APPROVED BY	DATE	DOCUMENT NO. SD-47272-001		
			1 PLACE ± 0.25	± ---	RZHANG	2010/03/26	SHEET NO. 1 OF 8		
			DRAFT WHERE APPLICABLE MUST REMAIN WITHIN DIMENSIONS		MATERIAL NO.	SEE SHEET 8			
					SIZE	THIS DRAWING CONTAINS INFORMATION THAT IS PROPRIETARY TO MOLEX INCORPORATED AND SHOULD NOT BE USED WITHOUT WRITTEN PERMISSION			

10 9 8 7 6 5 4 3 2 1

WITH COVER



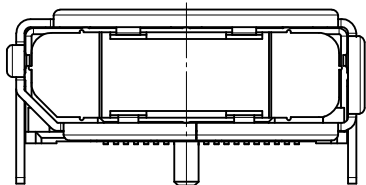
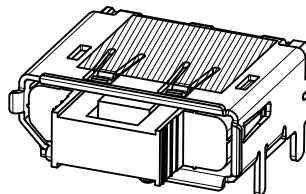
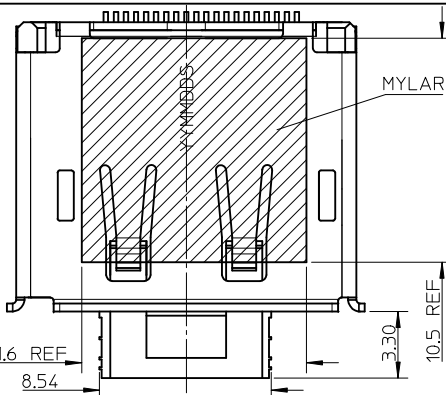
WITHOUT LATCH HOLE



NOTES:

- 1.UNSPECIFIED DIMENSION ARE SAME AS SHEET1
- 2.CONNECTOR WITH COVER IS USED FOR WARE SOLDERING PEG

WITH COVER AND MYLAR



NOTES:

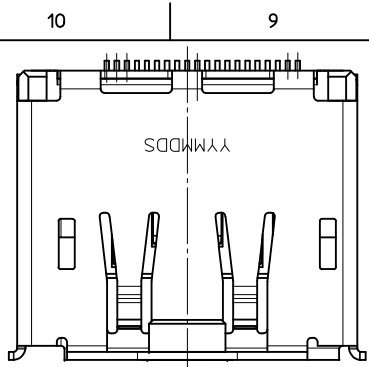
- 1.UNSPECIFIED DIMENSION ARE SAME AS SHEET1
- 2.CONNECTOR WITH COVER IS USED FOR WARE SOLDERING PEG

NOTES:

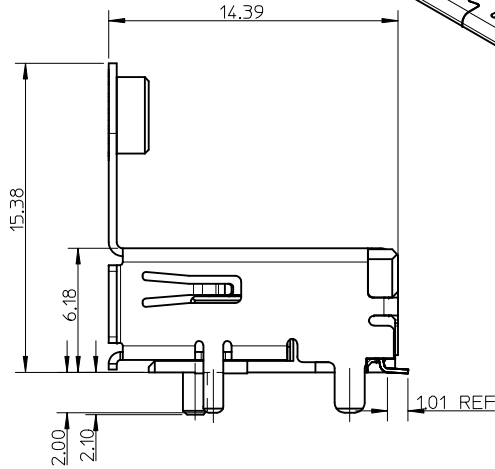
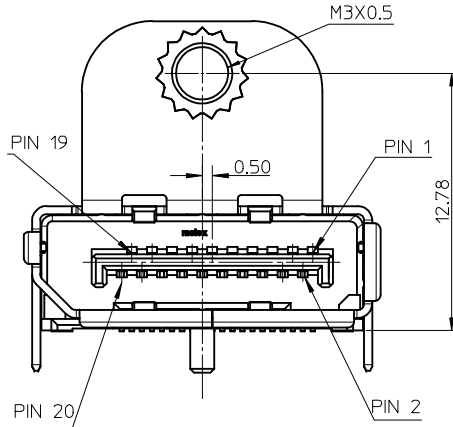
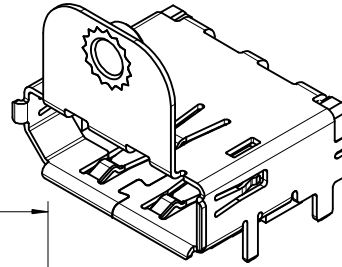
- 1.UNSPECIFIED DIMENSION ARE SAME AS SHEET1

REVISED EC NO: SH2015-0381 DRAWN: RZHANG CHKD: APPR: AYIN REV	DESCRIPTION 2015/03/19 2015/04/29	QUALITY SYMBOLS	GENERAL TOLERANCES (UNLESS SPECIFIED)		DIMENSION STYLE	SCALE	DESIGN UNITS	THIRD ANGLE PROJECTION	
		$F_A=0$	mm	INCH	MM ONLY	1:1	METRIC		
		$F_B=0$	4 PLACES ± ---	± ---	DRAWN BY	DATE	TITLE		
		$F_C=0$	3 PLACES ± ---	± ---	RZHANG	2005/07/01	1.0MM PITCH DISPLAY PORT RECEPTACLE ASSEMBLY		
		2 PLACES ± 0.25	± ---	CHECKED BY	DATE				
		1 PLACE ± 0.25	± ---	IWANG	2005/07/01				
		ANGULAR ± 3 °		APPROVED BY	DATE	MOLEX INCORPORATED			
		DRAFT WHERE APPLICABLE MUST REMAIN WITHIN DIMENSIONS		RZHANG	2010/03/26	DOCUMENT NO.	SD-47272-001		
				MATERIAL NO.		SEE SHEET 8		SHEET NO.	
				SIZE	THIS DRAWING CONTAINS INFORMATION THAT IS PROPRIETARY TO MOLEX INCORPORATED AND SHOULD NOT BE USED WITHOUT WRITTEN PERMISSION				
				A3					2 OF 8

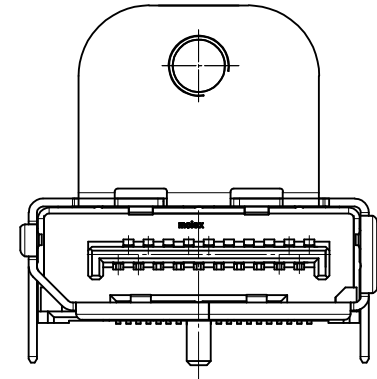
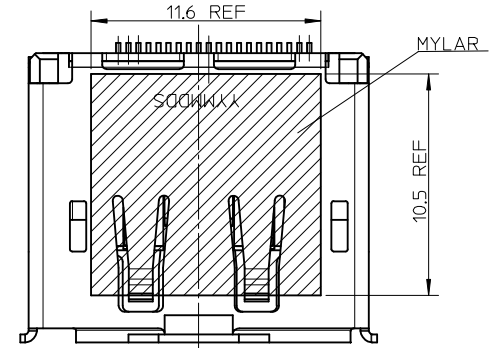
9 8 7 6 5 4 3 2 1



WITH FLANGE AND THROUGH HOLE PEG

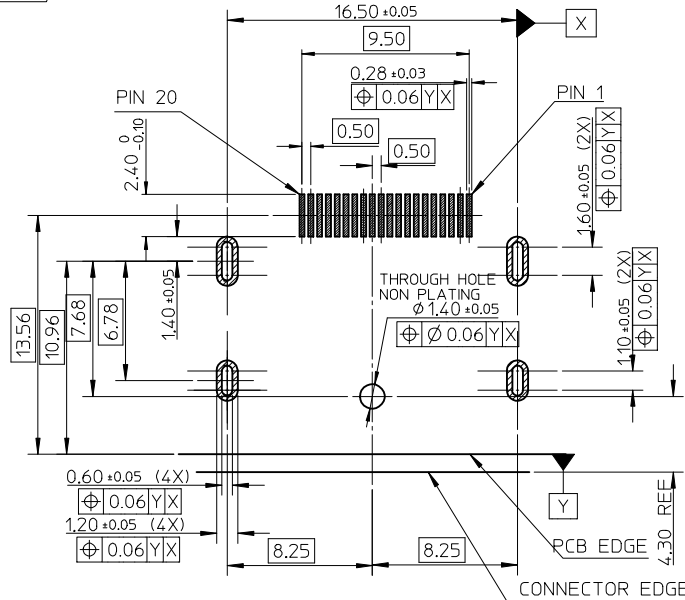


WITH MYLAR



NOTES:
UNSPECIFIED DIMENSION ARE SAME AS SHEET1

NOTES:
UNSPECIFIED DIMENSION ARE SAME AS SHEET1



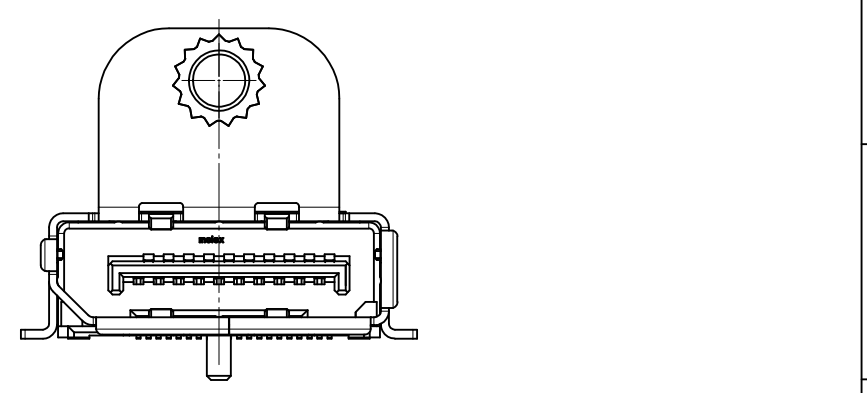
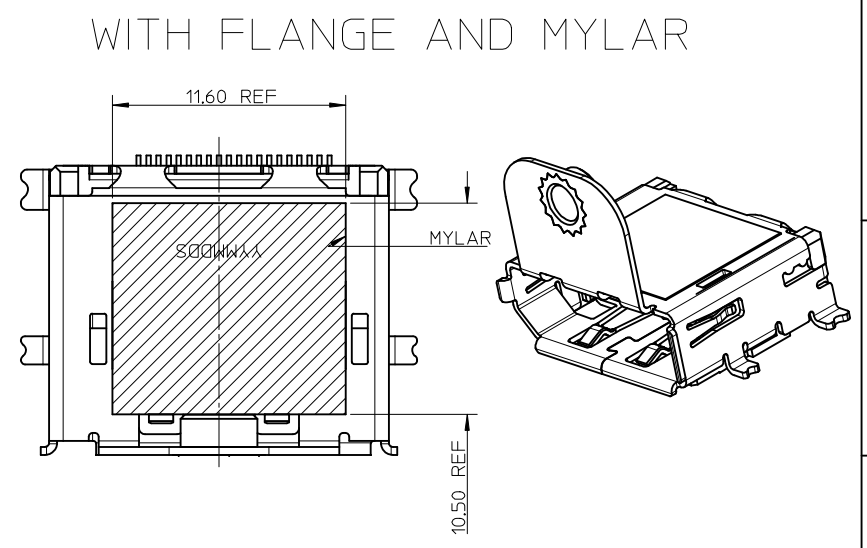
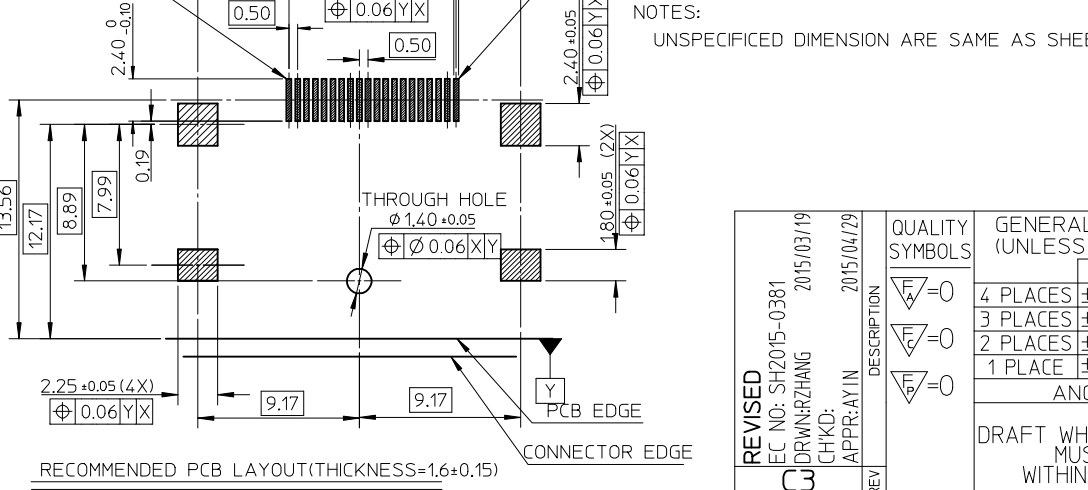
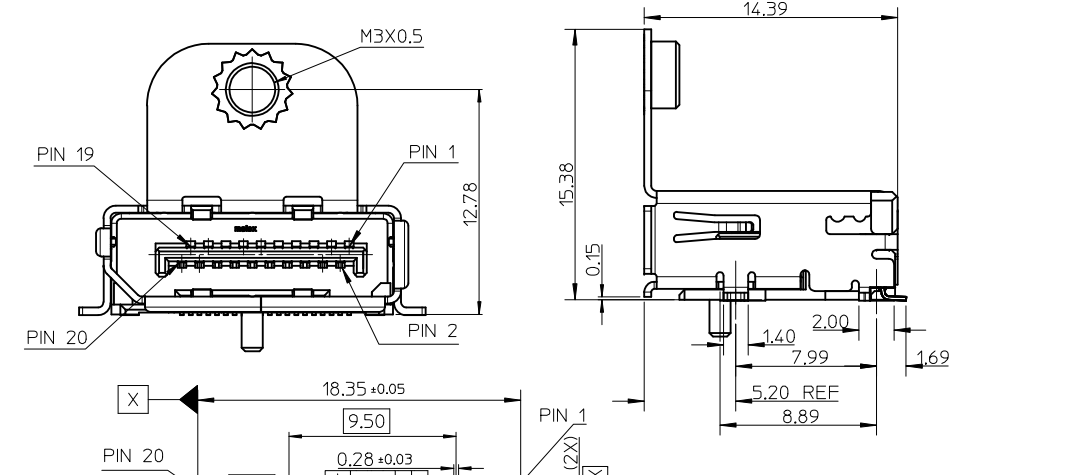
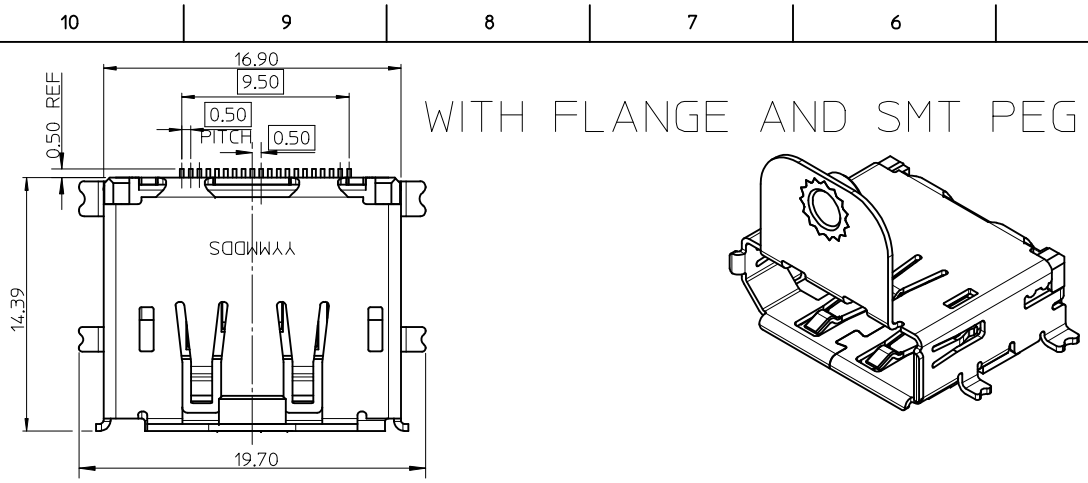
RECOMMENDED PCB LAYOUT (THICKNESS=1.6±0.15)

REVISED IEC NO: SH2015-0381 DRWNR:RZHANG 2015/03/19 CHKD: APPR:AYLIN 2015/04/29	QUALITY SYMBOLS $\nabla_F=0$ $\nabla_E=0$ $\nabla_D=0$	GENERAL TOLERANCES (UNLESS SPECIFIED) <table border="1"> <thead> <tr> <th></th> <th>mm</th> <th>INCH</th> </tr> </thead> <tbody> <tr> <td>4 PLACES</td> <td>± ---</td> <td>± ---</td> </tr> <tr> <td>3 PLACES</td> <td>± ---</td> <td>± ---</td> </tr> <tr> <td>2 PLACES</td> <td>± 0.25</td> <td>± ---</td> </tr> <tr> <td>1 PLACE</td> <td>± 0.25</td> <td>± ---</td> </tr> </tbody> </table>		mm	INCH	4 PLACES	± ---	± ---	3 PLACES	± ---	± ---	2 PLACES	± 0.25	± ---	1 PLACE	± 0.25	± ---	DIMENSION STYLE MM ONLY	SCALE 1:1	DESIGN UNITS METRIC	THIRD ANGLE PROJECTION
		mm	INCH																		
	4 PLACES	± ---	± ---																		
	3 PLACES	± ---	± ---																		
2 PLACES	± 0.25	± ---																			
1 PLACE	± 0.25	± ---																			
DRAWN BY RZHANG	DATE 2015/07/01	TITLE 1.0MM PITCH DISPLAY PORT RECEPTACLE ASSEMBLY																			
CHECKED BY IWANG	DATE 2015/07/01	MOLEX INCORPORATED																			
APPROVED BY RZHANG	DATE 2010/03/26	MATERIAL NO. SEE SHEET 8	DOCUMENT NO. SD-47272-001	SHEET NO. 3 OF 8																	

DRAFT WHERE APPLICABLE
MUST REMAIN
WITHIN DIMENSIONS

SIZE
A3

THIS DRAWING CONTAINS INFORMATION THAT IS PROPRIETARY TO MOLEX INCORPORATED AND SHOULD NOT BE USED WITHOUT WRITTEN PERMISSION

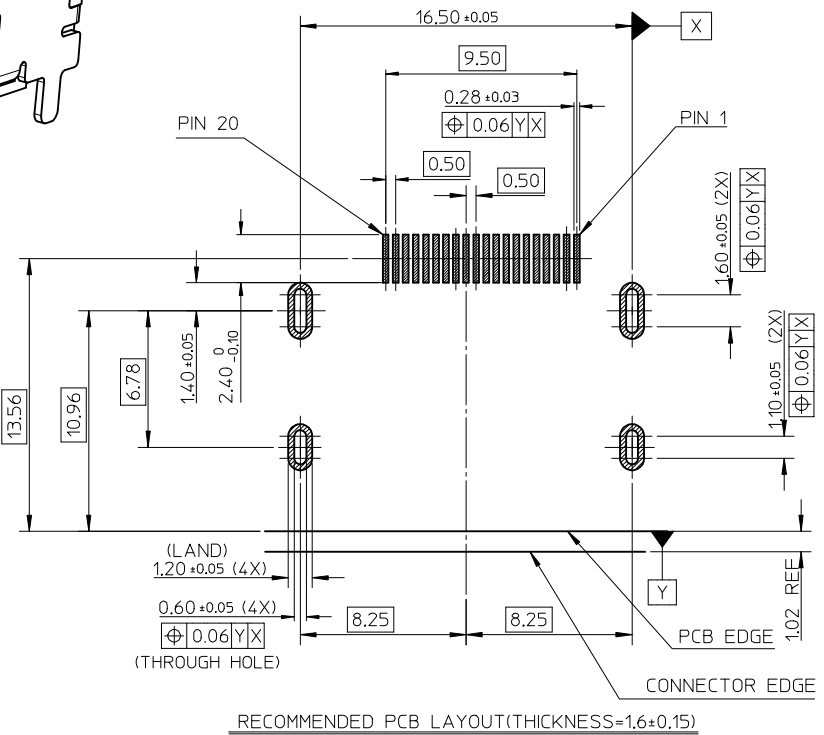
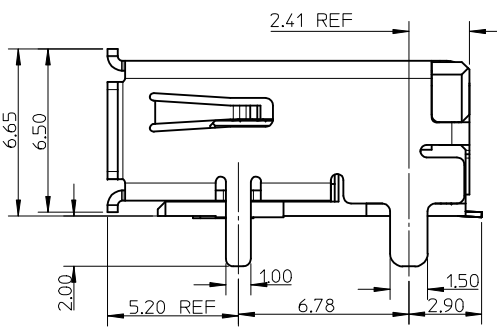
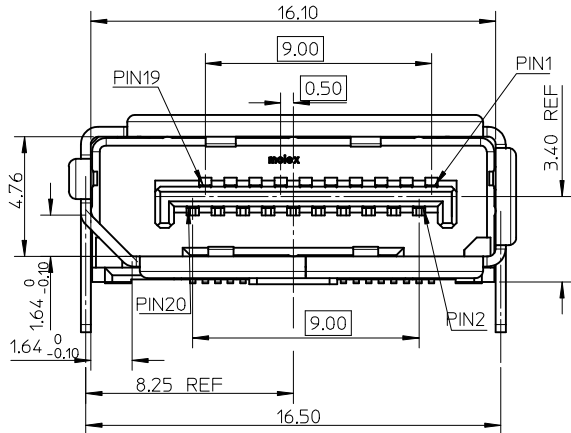
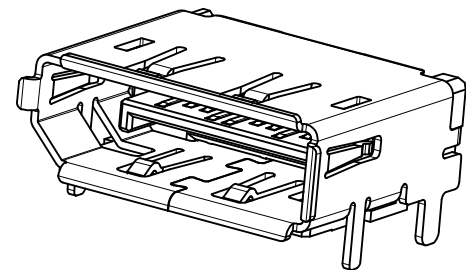
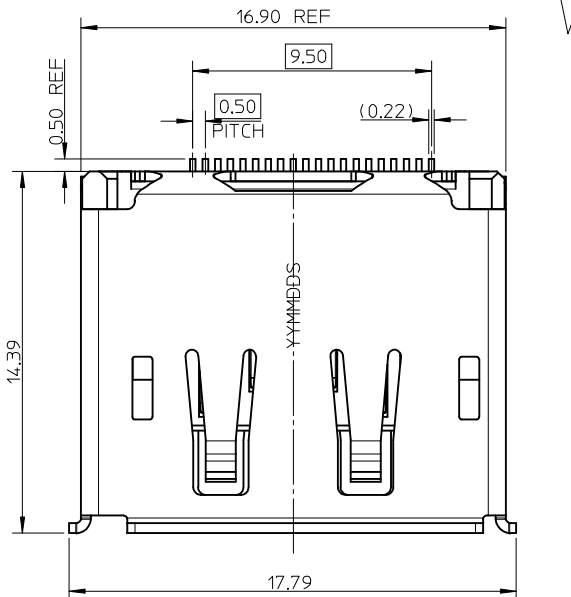


NOTES:
1.UNSPECIFIED DIMENSION ARE SAME AS SHEET1
2.THE RECOMMENDER PCB ARE SAME AS LEFT RECOMMENDER PCB

REVISED EC NO: SH2015-0381 DRAWN: RZHANG CHKD: APPR: AYIN	DESCRIPTION REV	QUALITY SYMBOLS		GENERAL TOLERANCES (UNLESS SPECIFIED)		DIMENSION STYLE		SCALE	DESIGN UNITS	THIRD ANGLE PROJECTION		
		F=0		mm INCH		MM ONLY		1:1	METRIC	□		
		F=0		4 PLACES ± --- ± ---		DRAWN BY RZHANG		DATE 2015/07/01		TITLE		
		F=0		3 PLACES ± --- ± ---		CHECKED BY IWANG		DATE 2015/07/01		1.0MM PITCH DISPLAY PORT RECEPTACLE ASSEMBLY		
ANGULAR ± 3 °		2 PLACES ± 0.25 ± ---		APPROVED BY RZHANG		DATE 2010/03/26		MOLEX INCORPORATED				
DRAFT WHERE APPLICABLE MUST REMAIN WITHIN DIMENSIONS		MATERIAL NO.		SEE SHEET 8		DOCUMENT NO.		SD-47272-001		SHEET NO. 4 OF 8		
THIS DRAWING CONTAINS INFORMATION THAT IS PROPRIETARY TO MOLEX INCORPORATED AND SHOULD NOT BE USED WITHOUT WRITTEN PERMISSION		SIZE A3										

10 9 8 7 6 5 4 3 2 1

WITHOUT POST



NOTES:
UNSPECIFIED DIMENSION ARE SAME AS SHEET1

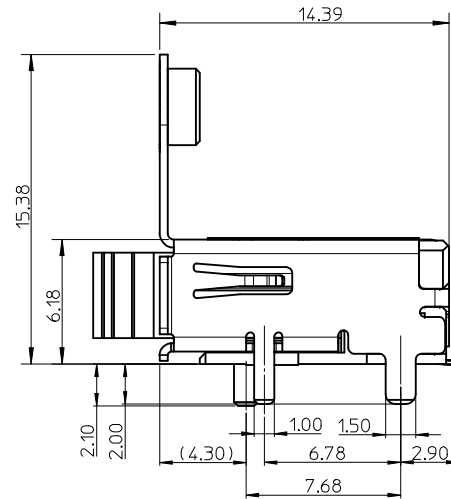
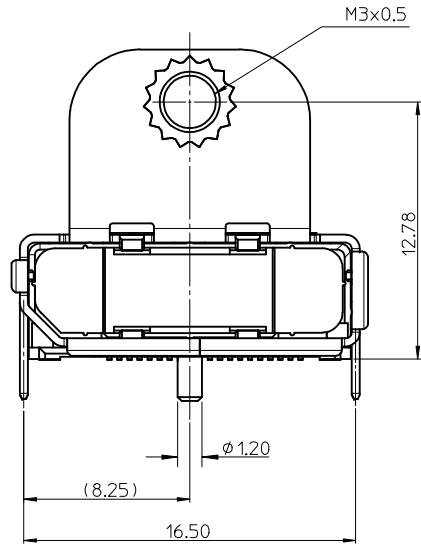
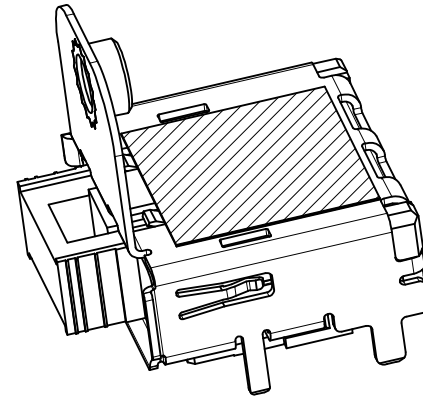
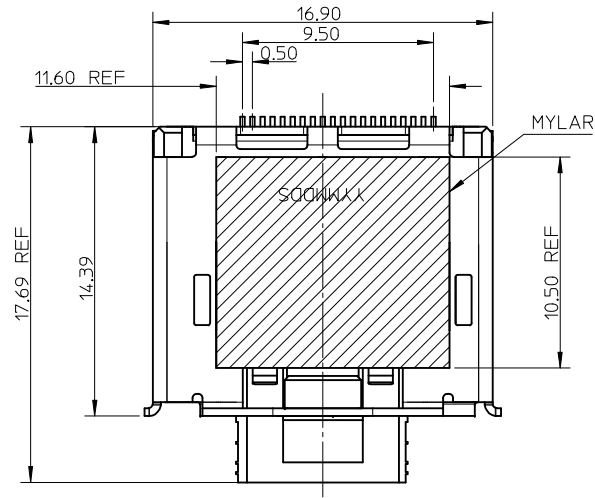
REVISED EC NO: SH2015-0381 DRWR:RZHANG 2015/03/19 CHKD: APPR:AYIN 2015/04/29	QUALITY SYMBOLS	GENERAL TOLERANCES (UNLESS SPECIFIED)	DIMENSION STYLE	SCALE	DESIGN UNITS	THIRD ANGLE PROJECTION														
	$\nabla F=0$ $\nabla E=0$ $\nabla D=0$	<table border="1"> <tr><th></th><th>mm</th><th>INCH</th></tr> <tr><td>4 PLACES</td><td>± ---</td><td>± ---</td></tr> <tr><td>3 PLACES</td><td>± ---</td><td>± ---</td></tr> <tr><td>2 PLACES</td><td>± 0.25</td><td>± ---</td></tr> <tr><td>1 PLACE</td><td>± 0.25</td><td>± ---</td></tr> </table>		mm	INCH	4 PLACES	± ---	± ---	3 PLACES	± ---	± ---	2 PLACES	± 0.25	± ---	1 PLACE	± 0.25	± ---	MM ONLY	1:1	METRIC
	mm	INCH																		
4 PLACES	± ---	± ---																		
3 PLACES	± ---	± ---																		
2 PLACES	± 0.25	± ---																		
1 PLACE	± 0.25	± ---																		

DRAFT WHERE APPLICABLE MUST REMAIN WITHIN DIMENSIONS	DRAWN BY	DATE	TITLE
	CHECKED BY	DATE	1.0MM PITCH DISPLAY PORT RECEPTACLE ASSEMBLY
	APPROVED BY	DATE	
ANGULAR ± 3 °	SEE SHEET 8		MOLEX INCORPORATED

MATERIAL NO.	DOCUMENT NO.	SHEET NO.
SEE SHEET 8	SD-47272-001	5 OF 8

THIS DRAWING CONTAINS INFORMATION THAT IS PROPRIETARY TO MOLEX INCORPORATED AND SHOULD NOT BE USED WITHOUT WRITTEN PERMISSION	
-------------------------------------------------------------------------------------------------------------------------------	--

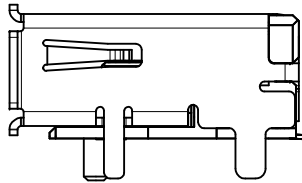
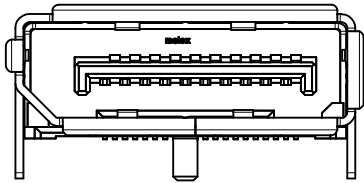
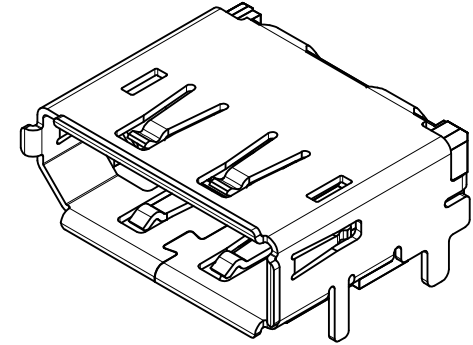
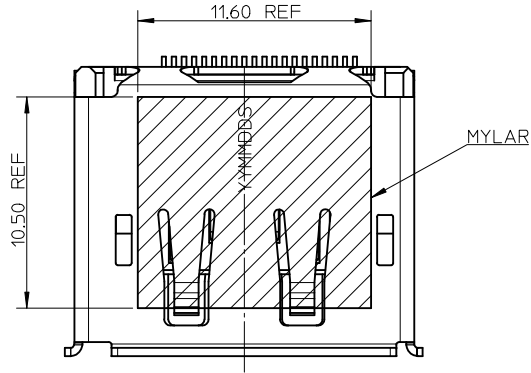
9 8 7 6 5 4 3 2 1



- NOTES:
1. UNSPECIFIC DIMENSION ARE SAME AS SHEET1
 2. THE RECOMMENDER PCB ARE SAME AS SHEET1

REVISED EC NO: SH2015-0381 DRAWN: RZHANG CHKD: APPR: AYIN	DESCRIPTION REV	QUALITY SYMBOLS		GENERAL TOLERANCES (UNLESS SPECIFIED)		DIMENSION STYLE MM ONLY		SCALE 1:1	DESIGN UNITS METRIC	THIRD ANGLE PROJECTION		
		$\nabla = 0$	$\nabla = 0$	$\nabla = 0$	mm	INCH	DRAWN BY RZHANG	DATE 2005/07/01	TITLE 1.0MM PITCH DISPLAY PORT RECEPTACLE ASSEMBLY			
		$\nabla = 0$	$\nabla = 0$	$\nabla = 0$	4 PLACES	\pm ---	\pm ---	CHECKED BY IWANG	DATE 2005/07/01	MOLEX INCORPORATED		
		$\nabla = 0$	$\nabla = 0$	$\nabla = 0$	2 PLACES	± 0.25	\pm ---	APPROVED BY RZHANG	DATE 2010/03/26	DOCUMENT NO. SD-47272-001	SHEET NO. 6 OF 8	
				1 PLACE	± 0.25	\pm ---	SEE SHEET 8		THIS DRAWING CONTAINS INFORMATION THAT IS PROPRIETARY TO MOLEX INCORPORATED AND SHOULD NOT BE USED WITHOUT WRITTEN PERMISSION			
				ANGULAR $\pm 3^\circ$		DRAFT WHERE APPLICABLE MUST REMAIN WITHIN DIMENSIONS						

STANDARD TYPE WITH MYLAR



NOTES:

- 1. UNSPECIFIC DIMENSION ARE SAME AS SHEET1
- 2. THE RECOMMENDER PCB ARE SAME AS SHEET1

REVISED EC NO: SH2015-0381 DRWR:RZHANG 2015/03/19 CHKD: APPR:AYIN 2015/04/29	DESCRIPTION REV	QUALITY SYMBOLS	GENERAL TOLERANCES (UNLESS SPECIFIED)		DIMENSION STYLE MM ONLY		SCALE 4:1	DESIGN UNITS METRIC	THIRD ANGLE PROJECTION		
		$\nabla = 0$	mm	INCH	DRAWN BY	DATE	TITLE				
		$\nabla = 0$	4 PLACES ± ---	± ---	RZHANG	2005/07/01	1.0MM PITCH DISPLAY PORT RECEPTACLE ASSEMBLY				
		$\nabla = 0$	3 PLACES ± ---	± ---	CHECKED BY	DATE	MOLEX INCORPORATED DOCUMENT NO. SD-47272-001 SHEET NO. 7 OF 8				
	2 PLACES ± 0.25	± ---	IWANG	2005/07/01							
	1 PLACE ± 0.25	± ---	APPROVED BY	DATE	THIS DRAWING CONTAINS INFORMATION THAT IS PROPRIETARY TO MOLEX INCORPORATED AND SHOULD NOT BE USED WITHOUT WRITTEN PERMISSION						
		ANGULAR ± 3 °	DRAFT WHERE APPLICABLE MUST REMAIN WITHIN DIMENSIONS		SEE SHEET 8						

10 9 8 7 6 5 4 3 2 1

F

E

D

C

B

A

PART NO.	COVER	FLANGE (SCREW)	PEG OF SHELL	PLATING IN CONTACT AREA	SHELL PLATING	LATCH HOLE	MYLAR	POST	PACKAGE	REMARK	SHELL MATERIAL
472720001	WITHOUT	WITHOUT	THROUGH HOLE PEG	SEE NOTE2(1)	SEE NOTE2(a)	WITH	WITHOUT	WITH	PK-47272-001	FOR SHEET 1	STAINLESS STEEL
472720011	WITHOUT	WITHOUT	THROUGH HOLE PEG	SEE NOTE2(2)	SEE NOTE2(a)	WITH	WITHOUT	WITH	PK-47272-001		
472720021	WITHOUT	WITHOUT	THROUGH HOLE PEG	SEE NOTE2(3)	SEE NOTE2(a)	WITH	WITHOUT	WITH	PK-47272-001		
472720003	WITHOUT	WITHOUT	THROUGH HOLE PEG	SEE NOTE2(1)	SEE NOTE2(a)	WITHOUT	WITHOUT	WITH	PK-47272-001	FOR SHEET 2	
472721002	WITH	WITHOUT	THROUGH HOLE PEG	SEE NOTE2(1)	SEE NOTE2(a)	WITH	WITHOUT	WITH	PK-47272-001		
472720012	WITH	WITHOUT	THROUGH HOLE PEG	SEE NOTE2(2)	SEE NOTE2(a)	WITH	WITHOUT	WITH	PK-47272-001		
472720022	WITH	WITHOUT	THROUGH HOLE PEG	SEE NOTE2(3)	SEE NOTE2(a)	WITH	WITHOUT	WITH	PK-47272-001		
472720024	WITH	WITHOUT	THROUGH HOLE PEG	SEE NOTE2(1)	SEE NOTE2(a)	WITH	WITH	WITH	PK-47272-001	FOR SHEET 3	
472720004	WITH	WITH	THROUGH HOLE PEG	SEE NOTE2(1)	SEE NOTE2(c)	WITH	WITHOUT	WITH	PK-47272-005		
472721004	WITHOUT	WITH	THROUGH HOLE PEG	SEE NOTE2(1)	SEE NOTE2(c)	WITH	WITHOUT	WITH	PK-47272-003		
472720025	WITHOUT	WITH	THROUGH HOLE PEG	SEE NOTE2(1)	SEE NOTE2(c)	WITH	WITH	WITH	PK-47272-003		
472720028	WITHOUT	WITH	THROUGH HOLE PEG	SEE NOTE2(3)	SEE NOTE2(c)	WITH	WITH	WITH	PK-47272-003	FOR SHEET 4	
472721005	WITHOUT	WITH	SMT PEG	SEE NOTE2(1)	SEE NOTE2(c)	WITH	WITHOUT	WITH	PK-47272-003		
472720023	WITHOUT	WITH	SMT PEG	SEE NOTE2(1)	SEE NOTE2(c)	WITH	WITH	WITH	PK-47272-003	FOR SHEET 5	
472720026	WITHOUT	WITHOUT	THROUGH HOLE PEG	SEE NOTE2(1)	SEE NOTE2(a)	WITH	WITHOUT	WITHOUT	PK-47272-001	FOR SHEET 6	
472720027	WITH	WITH	THROUGH HOLE PEG	SEE NOTE2(1)	SEE NOTE2(c)	WITH	WITH	WITH	PK-47272-005	FOR SHEET 7	
472720029	WITHOUT	WITHOUT	THROUGH HOLE PEG	SEE NOTE2(1)	SEE NOTE2(a)	WITH	WITH	WITH	PK-47272-001	FOR SHEET 1	
472720121	WITHOUT	WITHOUT	THROUGH HOLE PEG	SEE NOTE2(1)	SEE NOTE2(a)	WITH	WITHOUT	WITH	PK-47272-121	FOR SHEET 1	
472721014	WITHOUT	WITH	THROUGH HOLE PEG	SEE NOTE2(2)	SEE NOTE2(c)	WITH	WITHOUT	WITH	PK-47272-003	FOR SHEET 3	
472721024	WITH	WITHOUT	THROUGH HOLE PEG	SEE NOTE2(2)	SEE NOTE2(a)	WITH	WITH	WITH	PK-47272-001	FOR SHEET 2	

BZ
BS
CZ

REVISED EC NO: SH2015-0381 DRWNR:RZHANG CHKD: APPR:AYIN 2015/03/19 2015/04/29	QUALITY SYMBOLS $F_A=0$ $F_G=0$ $F_B=0$	GENERAL TOLERANCES (UNLESS SPECIFIED)		DIMENSION STYLE MM ONLY		SCALE 1:1	DESIGN UNITS METRIC	THIRD ANGLE PROJECTION	
		4 PLACES ± --- ± --- 3 PLACES ± --- ± --- 2 PLACES ± 0.25 ± --- 1 PLACE ± 0.25 ± ---	mm INCH	DRAWN BY RZHANG	DATE 2005/07/01	TITLE 1.0MM PITCH DISPLAY PORT RECEPTACLE ASSEMBLY			
		ANGULAR ± 3 °		CHECKED BY IWANG	DATE 2005/07/01	APPROVED BY RZHANG			
		DRAFT WHERE APPLICABLE MUST REMAIN WITHIN DIMENSIONS		MATERIAL NO. SEE CHART	DATE 2010/03/26	MOLEX INCORPORATED		DOCUMENT NO. SD-47272-001	SHEET NO. 8 OF 8

9 8 7 6 5 4 3 2 1