

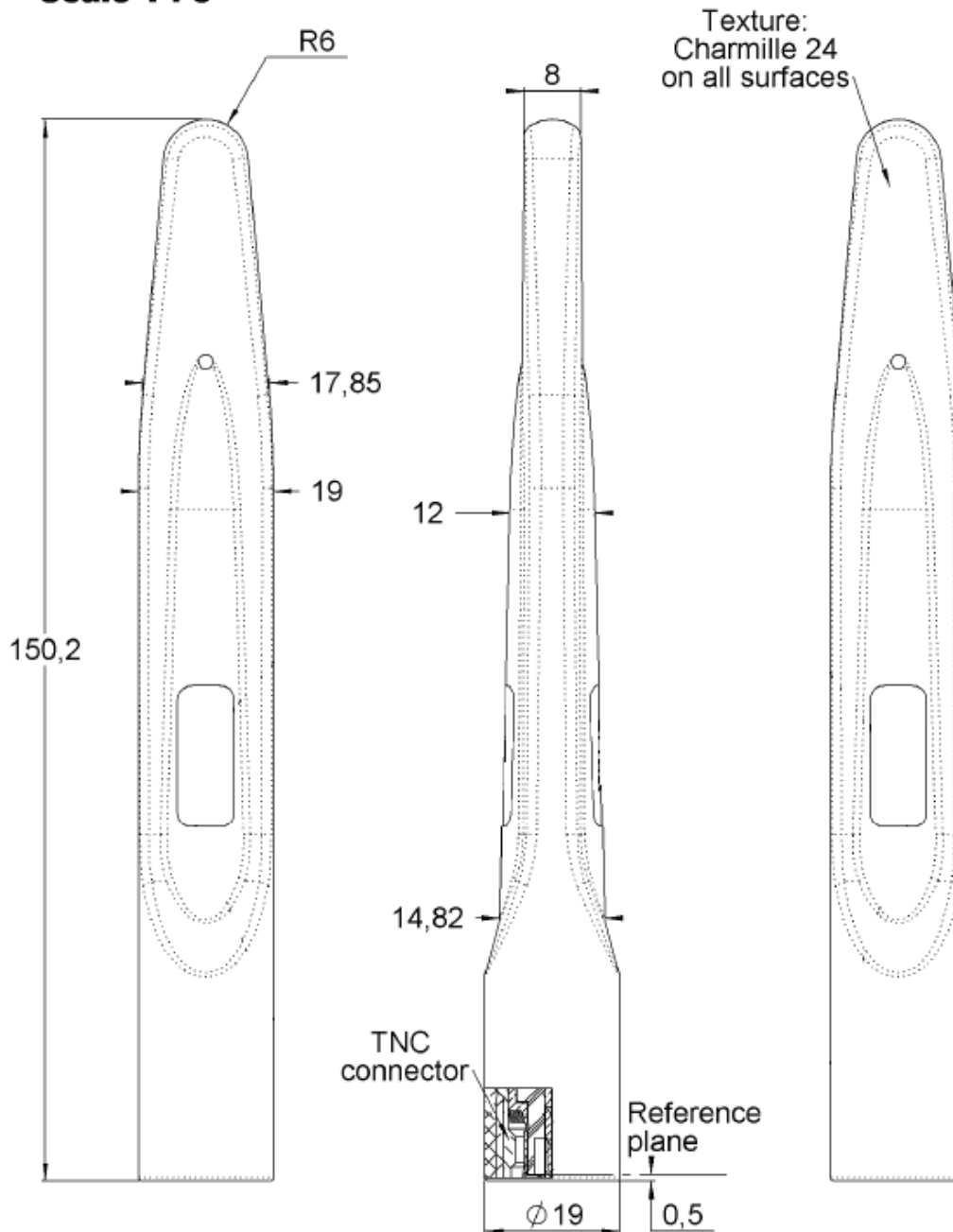
WATERPROOF MULTIBAND ANTENNA

AMPS – GSM – DCS – PCS - UMTS

MD12-027

Series : Antenna

Scale 1 : 5



All dimensions are in mm



Issue :1215

In the effort to improve our products, we reserve the right to make changes judged to be necessary.

RADIAL

WATERPROOF MULTIBAND ANTENNA

MD12-027

AMPS – GSM – DCS – PCS - UMTS

Series : **Antenna**

ELECTRICAL CHARACTERISTICS

Frequencies : **824 - 960 MHz**
 **1710 - 2170 MHz**

Nominal Impedance: **50 Ω**

VSWR : **< 3.0 : 1 Max**

Peak Gain (Total Field) **2 dBi**

Radiation Pattern

Horizontal Plane ($\Theta=90^\circ$): **Omni directional**

Vertical Plane ($\Phi=0^\circ/90^\circ$): **Dipolar**

Polarization : **Linear Vertical**

Power Handling : **5 W CW**

Connector type : **TNC Plug**

MECHANICAL CHARACTERISTICS

Overall Length (antenna) : **150.2 mm**

Max Diameter: **19 mm**

Radome Material : **Polyamide 6 (Nylon)**

Radome Colour **RAL 9005 (Black)**

Flexibility : **None**

ENVIRONMENTAL CHARACTERISTICS

Product in Conformity with the RoHS (Restriction of Hazardous Substances) and WEEE (Waste Electrical and Electronic Equipment) requirements.

Operating temperature : **-40 / +70 °C**

Ingress Protection: **IP 67**

Issue :1215

In the effort to improve our products, we reserve the right to make changes judged to be necessary.

