

Customer Information Sheet

DRAWING No.: M80-FCXXX68F2-XXXXL

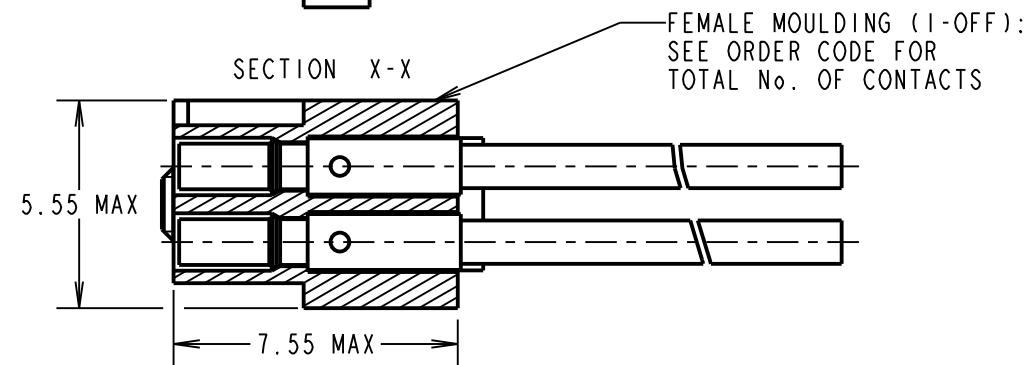
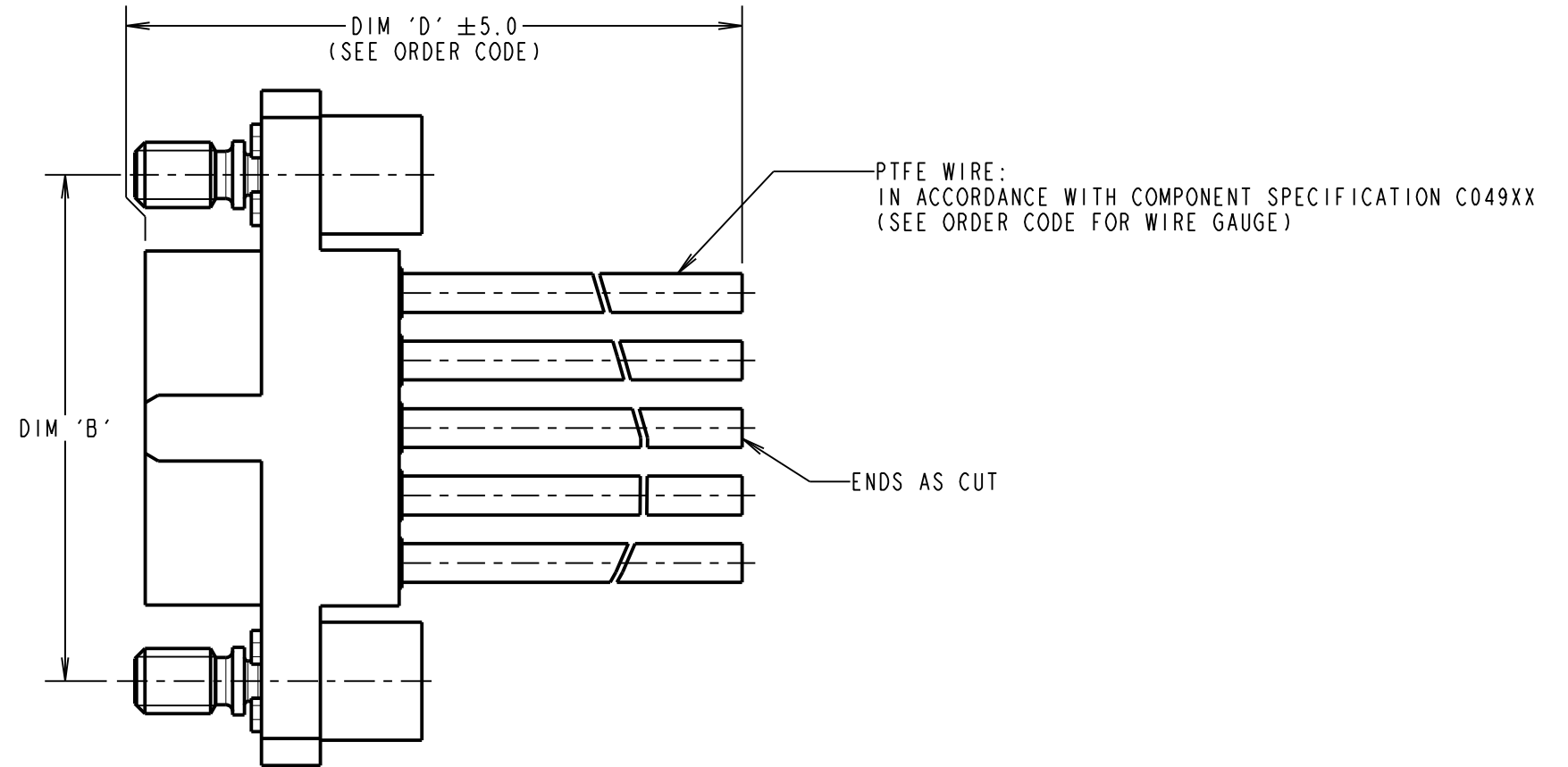
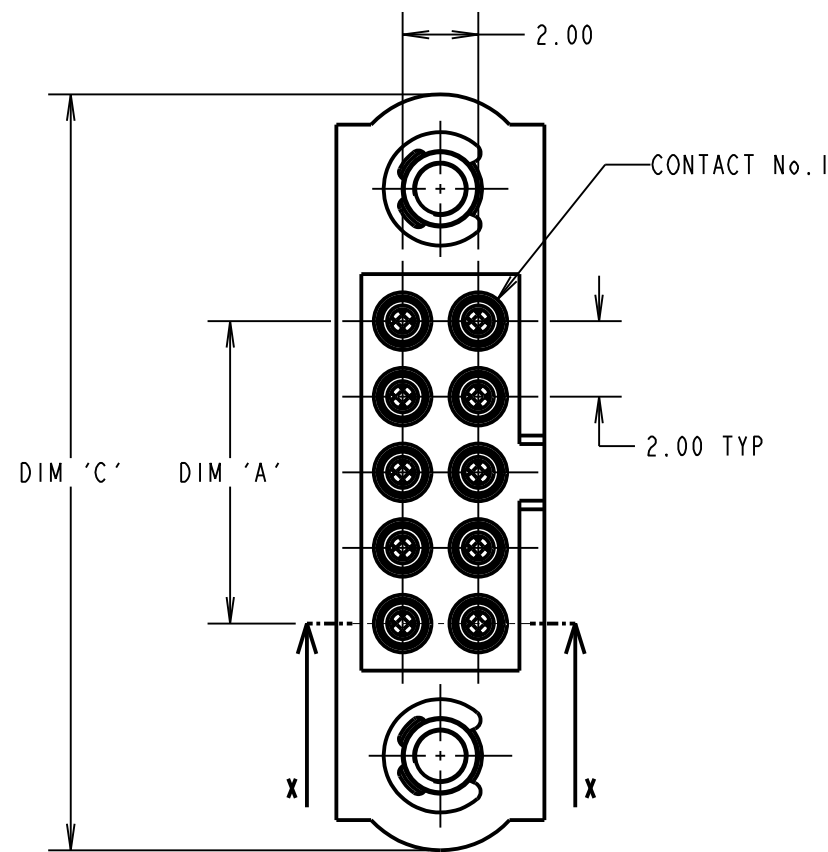
IF IN DOUBT - ASK

©

NOT TO SCALE

THIRD ANGLE PROJECTION

ALL DIMENSIONS IN mm



CONTACT No.	WIRE COLOUR
1	BLACK
2	BROWN
3	RED
4	ORANGE
5	YELLOW
6	GREEN
7	BLUE
8	VIOLET
9	GREY
10	WHITE

WIRE COLOURS REPEAT IN ABOVE ORDER FOR CONNECTOR ASSEMBLIES OVER 10 CONTACTS.

- NOTES:
- CABLE ASSEMBLIES WILL BE PACKED IN BAGS OF 10.
 - FOR COMPLETE SPECIFICATION, SEE COMPONENT SPECIFICATION C005XX (LATEST ISSUE) AND C049XX (LATEST ISSUE).

DIMENSION	MEASUREMENT
DIM 'A'	TOTAL No. OF CONTACTS - 2.00
DIM 'B'	TOTAL No. OF CONTACTS + 5.00
DIM 'C'	TOTAL No. OF CONTACTS + 10.0

EXAMPLE PART No.:

10 CONTACT CONNECTOR WITH 150mm OF 22AWG WIRE = M80-FC11068F2-0150L

50 CONTACT CONNECTOR WITH 450mm OF 26AWG WIRE = M80-FC35068F2-0450L

ORDER CODE:
M80-FCXXX68F2-XXXXL

WIRE AWG: _____

- 1 = 22AWG (LARGE BORE)
- 2 = 24AWG (SMALL BORE)
- 3 = 26AWG (SMALL BORE)
- 4 = 28AWG (SMALL BORE)
- 5 = 30AWG (EXTRA SMALL BORE)
- 6 = 32AWG (EXTRA SMALL BORE)

TOTAL No. OF CONTACTS: _____

- 06, 10, 14, 20, 26,
- 34, 42, 50.

DIM 'D' LENGTH: _____

- 0060 = 60mm MIN
- 9999 = 9999mm MAX
- (SEE TABLE FOR EXAMPLES)

STOCKED CABLE LENGTHS:

- 0150 = 150mm
- 0300 = 300mm
- 0450 = 450mm

RTP	2	14.09.18	21516
NAME	ISS.	DATE	C/NOTE
APPROVED: R.PORTLOCK			
CHECKED: S.FLOWER			
DRAWN: R.PORTLOCK			
CUSTOMER REF.:			
ASSEMBLY DRG:			

HARWIN

www.harwin.com
 technical@harwin.com

THIS DRAWING AND ANY INFORMATION OR DESCRIPTIVE MATTER SET OUT HEREON ARE CONFIDENTIAL AND COPYRIGHT PROPERTY OF THE HARWIN GROUP AND MUST NOT BE DISCLOSED, LOANED, COPIED OR USED FOR MANUFACTURING, TENDERING OR FOR ANY OTHER PURPOSE WITHOUT THEIR WRITTEN PERMISSION.

TOLERANCES

X. = ±1mm
 X.X = ±0.50mm
 X.XX = ±0.10mm
 X.XXX = ±0.01mm

ANGLES = ±5°
 UNLESS STATED

MATERIAL: SEE ABOVE

FINISH: SEE ABOVE

S/AREA: mm²

TITLE: M80 FEMALE SINGLE-ENDED CABLE ASSEMBLY WITH HEX SOCKET JACKSCREWS

DRAWING NUMBER: **M80-FCXXX68F2-XXXXL**

SHT 2 OF 2