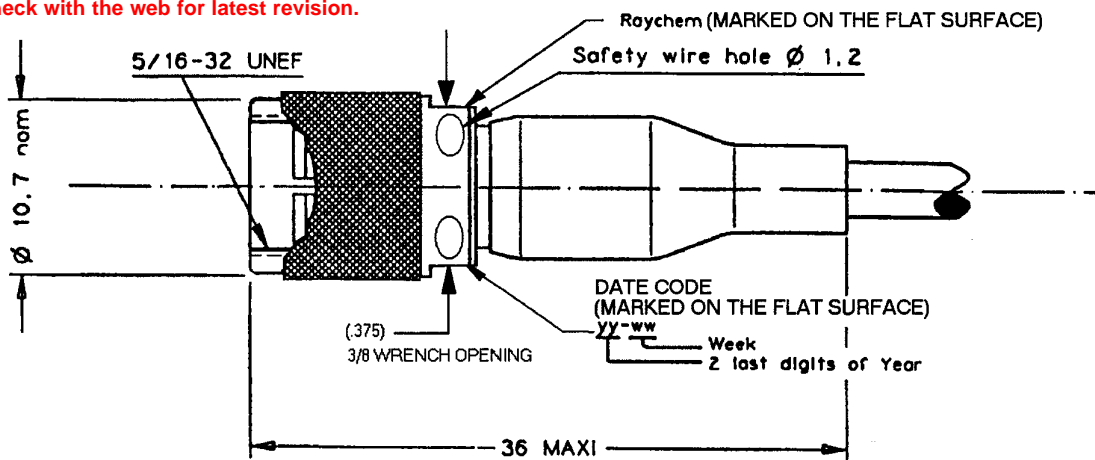


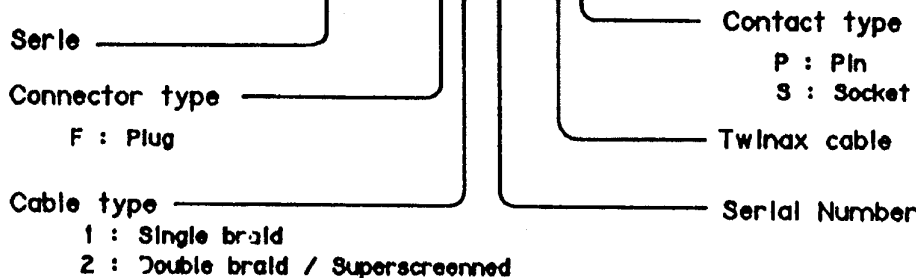
**THREADED, TRIAXIAL CONNECTOR
TO
AECMA EN 3716-004 SPECIFICATION**

If this document is printed it becomes uncontrolled.
Check with the web for latest revision.



PART NUMBERING SYSTEM

DK-3716-Fx01-Ty



RAYCHEM Part Numbering	AECMA Part Numbering
DK-3716-F101-TP	EN 3716-004-M-1
DK-3716-F201-TP	EN 3716-004-M-2
DK-3716-F101-TS	EN 3716-004-F-1
DK-3716-F201-TS	EN 3716-004-F-2

DK-3716-F101 Preferred part numbers for all applications

DK-3716-F201 Part numbers that previously designated double shield cables

(Use F101 for new applications)

Dimensions are in millimeters

DRAWN Ph.ROUCAUTE Engineering <i>RL</i>	APPROVED R.DE CONTI Product Manager <i>R. De Conti</i>	REPLACES REVISED PER DCR# T-24273 REVISED PER DCR# T-24310
APPROVED Ph.GUILLON Development <i>Guillon</i>	APPROVED B.DAUVILLIERS Quality Assurance <i>B. Dauvilliers</i>	PROJECT NUMBER CAD : T 24310 a.b.Tif

*A trademark of Raychem Corporation.

This drawing and the information set forth herein are the property of Raychem Corporation, and are to be held in trust and confidence. Publication, duplication, disclosure or use for any purpose not expressly authorized in writing by Raychem Corporation is prohibited.

1 MATERIALS AND FINISHES

If this document is printed it becomes uncontrolled.
Check with the web for latest revision.

- 1.1 Housing Body: Brass Alloy per QQ-B-626D
Tin Plated per MIL-T-10727
Over Nickel per MIL-C-26074
- 1.2 Coupling Nut: Brass Alloy per QQ-B-626D
Tin Plated per MIL-T-10727
Over Nickel per MIL-C-26074
- 1.3 Insulation (MIP): Polyethersulfone
- 1.4 Interfacial Seal: Silicone Rubber

2 WIRE ACCOMMODATIONS

- 2.1 The connector will terminate to a shielded twisted pair AWG 26 to AWG 22.
- 2.2 Termination procedure : Raychem RPIP-695-00.

3 INTERMATEABILITY

- 3.1 This connector will mate with DK-3716-Exxx-yy.

4 CONTACTS

- 4.1 This connector will accommodate the following Raychem contacts :

Part No.	Description
D-602-0126	Twinox, Pin
D-602-0127	Twinox, Socket

5 PERFORMANCE CAPABILITIES

- 5.1 Design to meet Raychem Performance Specification D-6025 and AECMA EN 3716-004.
- 5.2 General Characteristics
- 5.2.1 Maximum Operating Temperature : 150°C.
- 5.2.2 Current Rating : 3 amps maximum.
- 5.2.3 Insulation Resistance : 5000 megohms minimum.
- 5.2.4 High Potential, Mated, Sea Level : 900 volts at 60 Hz.
- 5.2.5 Contact Resistance, Initial : 8 milliohms maximum.
- 5.2.6 Connector Mating Coupling Torque : 1.13 m.N maximum.
- 5.2.7 Insertion Force : 1.4 kg maximum.
- 5.2.8 Withdrawal Force : 30 g maximum.
- 5.2.9 Contact Retention Terminated : 9 kg minimum.
- 5.2.10 Durability : 500 cycles.
- 5.2.11 Corrosion Resistance : 500 hours.
- 5.2.12 Weight : 12 g Max.