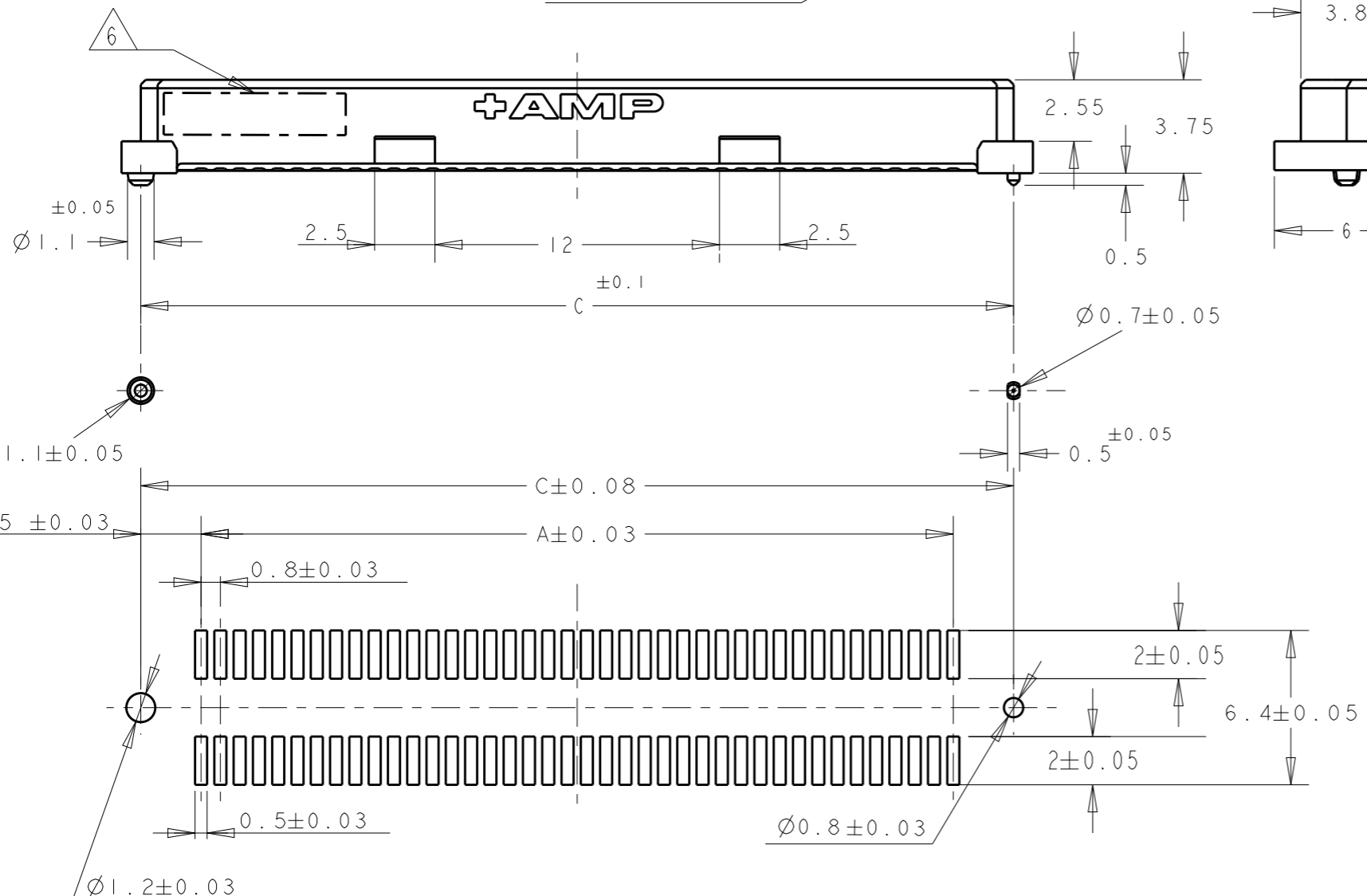
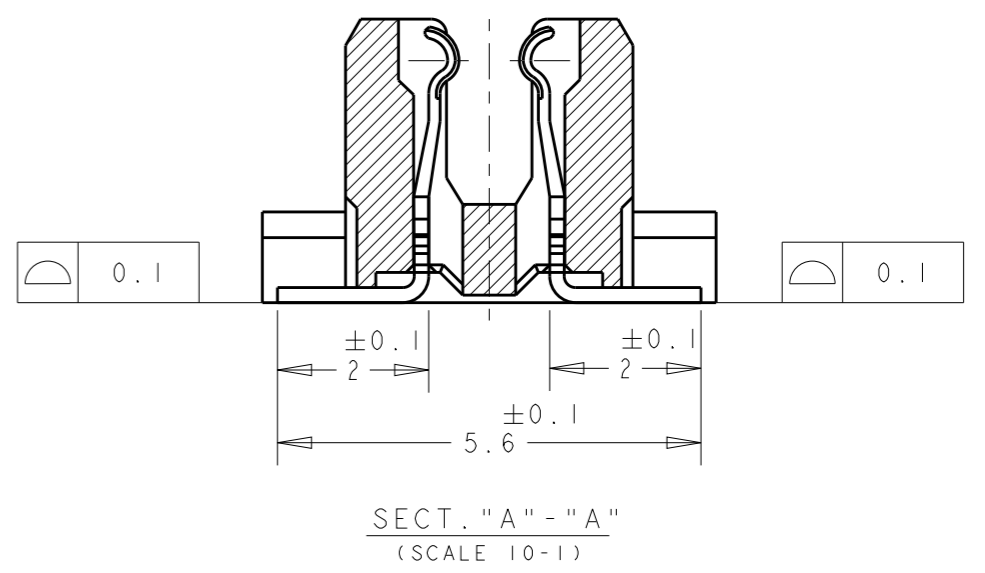
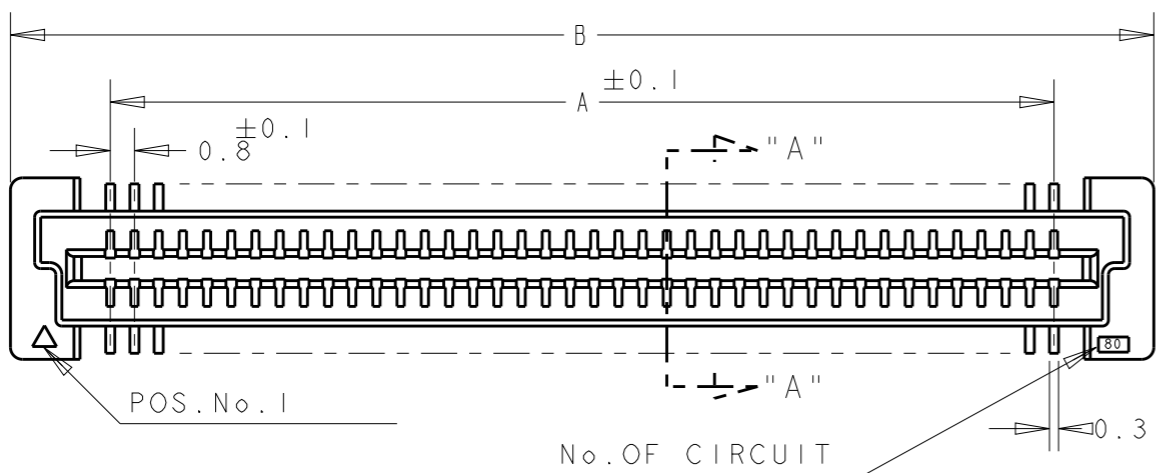


THIS DRAWING IS UNPUBLISHED. RELEASED FOR PUBLICATION 20
 © COPYRIGHT 20 BY - ALL RIGHTS RESERVED.

REVISIONS					
P	LTR	DESCRIPTION	DATE	DWN	APVD
C		REVISED PER ECO-17-005566	03AUG2017	B. J	S. Y



NOTES:

- 1 MATERIAL: HOUSING: L.C.P (HIGH TEMP THERMOPLASTIC)
UL 94V-0, NATURAL.
CONTACT: COPPER ALLOY.
- 2 FINISH: CONTACT AREA: 0.0002 MIN GOLD ON
0.0013 MIN ALL OVER NICKEL.
SOLDERING AREA: 0.002 MIN MATTE TIN.
- 3. POSITION SERIES: SEE TABLE.
- 4. CONN STACK HEIGHT COMBINE OF PLUG "Y" H VS REC "X" H.
STACK HEIGHT = Y + X - 5
- 5 FINISH: CONTACT AREA: 0.00038 MIN GOLD ON
0.0013 MIN ALL OVER NICKEL.
SOLDERING AREA: 0.002 MIN MATTE TIN.
- 6 DATE CODE MARKING.
- 7 CONNECTOR WITH BLACK HOUSING AND POLYIMIDE COVER

P/N SEE SHEET 2 & 3 OF 3.

CONNECTOR ONLY

LOW HALOGEN

RECOMMENDED P.C. BOARD LAYOUT

THIS DRAWING IS A CONTROLLED DOCUMENT.		DWN SK LEAW 17MAY2004	TE Connectivity	
DIMENSIONS: mm		CHK ERIC TNG		
TOLERANCES UNLESS OTHERWISE SPECIFIED:		APVD SE LEONG	NAME RECEPTACLE ASSEMBLY 5H TYPE (0.5 BOSS LENGTH) FOR FH0.8MM PITCH B-T-B CONNECTOR	
0 PLC ±		PRODUCT SPEC 108-5390	SIZE A3	
1 PLC ±0.3		APPLICATION SPEC 114-5254	CAGE CODE -	DRAWING NO C-5177983
2 PLC ±0.25		WEIGHT	RESTRICTED TO	
3 PLC ±0.2		CUSTOMER DRAWING	SCALE 4:1	SHEET 1 OF 3
4 PLC ±				REV C
ANGLES ±3°				
FINISH SEE P/N TABLE				

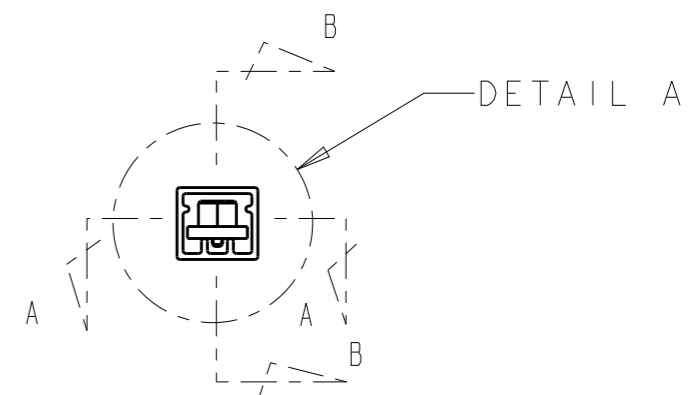
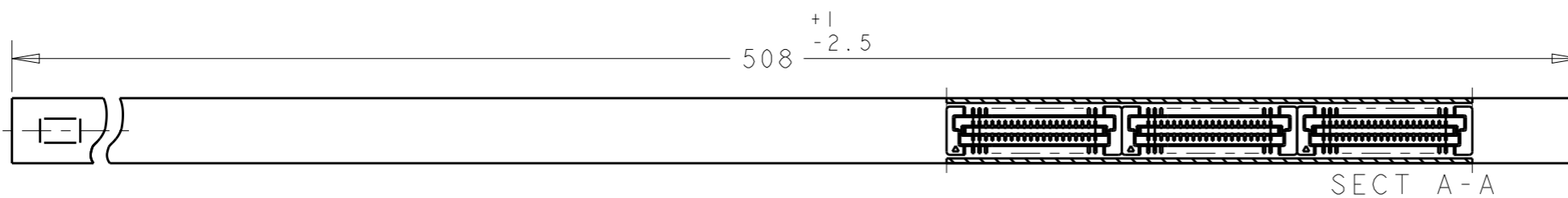
THIS DRAWING IS UNPUBLISHED.

RELEASED FOR PUBLICATION 20

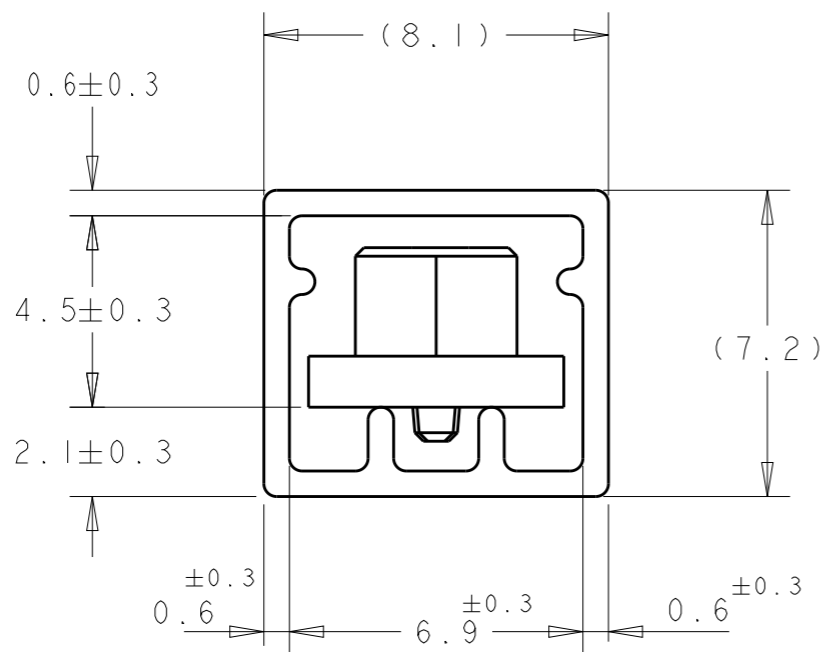
© COPYRIGHT - BY - ALL RIGHTS RESERVED.

REVISIONS

P	LTR	DESCRIPTION	DATE	DWN	APVD
-	-	SEE SHEET 1 OF 3	-	-	-



REFERENCE PICTURE OF TUBE PACK



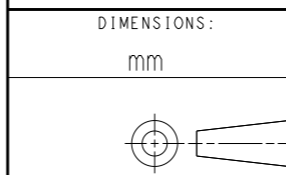
DETAIL A

WITHOUT POLYIMIDE COVER

LOW HALOGEN

FINISH	QTY	C	B	A	POS	CONN P/N
5	5	84.2	85.8	79.2	200	2- -0
	6	76.2	77.8	71.2	180	1- -9
	6	68.2	69.8	63.2	160	1- -8
	7	60.2	61.8	55.2	120	1- -6
	9	52.2	53.8	47.2	120	1- -5
	10	44.2	45.8	39.2	100	1- -4
	12	36.2	37.8	31.2	80	1- -3
	16	28.2	29.8	23.2	60	1- -2
	22	20.2	21.8	15.2	40	1- -1
	2	5	84.2	85.8	79.2	200
6		76.2	77.8	71.2	180	- -9
6		68.2	69.8	63.2	160	- -8
7		60.2	61.8	55.2	140	- -6
9		52.2	53.8	47.2	120	- -5
10		44.2	45.8	39.2	100	- -4
12		36.2	37.8	31.2	80	- -3
16		28.2	29.8	23.2	60	- -2
22		20.2	21.8	15.2	40	5177983-1

THIS DRAWING IS A CONTROLLED DOCUMENT.



MATERIAL SEE NOTE 1

DIMENSIONS:	TOLERANCES UNLESS OTHERWISE SPECIFIED:
mm	
0 PLC	±
1 PLC	±0.3
2 PLC	±0.25
3 PLC	±0.2
4 PLC	±
ANGLES	±3°

FINISH SEE P/N TABLE

DWN	SK LEAW	17MAY2004
CHK	ERIC TNG	02APR2015
APVD	SE LEONG	02APR2015
PRODUCT SPEC	108-5390	
APPLICATION SPEC	114-5254	
WEIGHT	CUSTOMER DRAWING	

STE TE Connectivity

NAME: RECEPTACLE ASSEMBLY 5H TYPE (0.5 BOSS LENGTH) FOR FH0.8MM PITCH B-T-B CONNECTOR

SIZE	CAGE CODE	DRAWING NO	RESTRICTED TO
A3		5177983	

SCALE: 4:1 SHEET: 2 OF 3 REV: C

THIS DRAWING IS UNPUBLISHED.

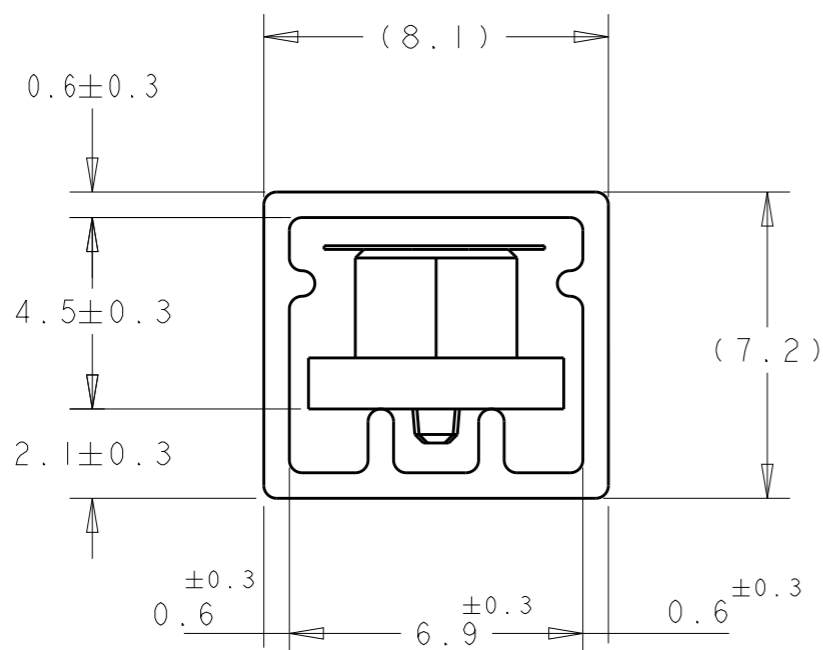
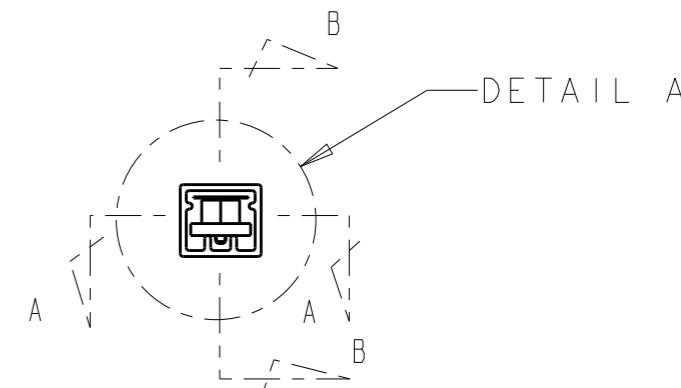
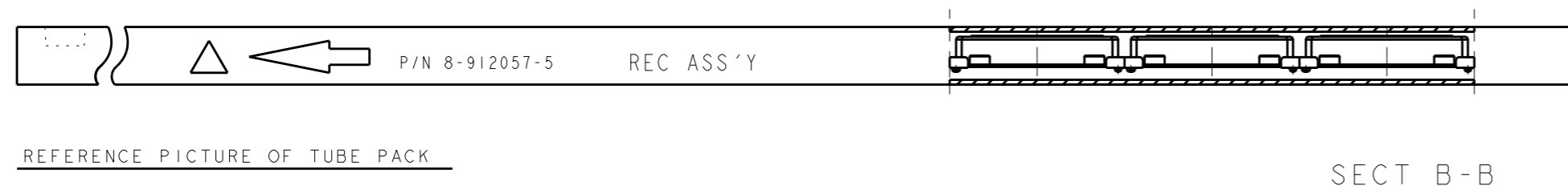
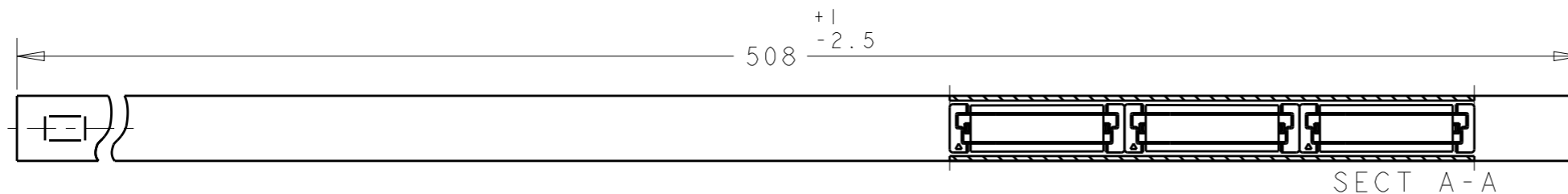
RELEASED FOR PUBLICATION

20

REVISIONS

© COPYRIGHT 20 BY - ALL RIGHTS RESERVED.

P	LTR	DESCRIPTION	DATE	DWN	APVD
-	-	SEE SHEET 1 OF 3	-	-	-



DETAIL A

WITH POLYIMIDE COVER

LOW HALOGEN

△1	△2	7	60.2	61.8	55.2	140	9-5177983-6
FINISH	QTY	C	B	A	POS	CONN P/N	

THIS DRAWING IS A CONTROLLED DOCUMENT.		DWN SK LEAW 17MAY2004	STE TE Connectivity	
DIMENSIONS: mm		CHK ERIC TNG		
TOLERANCES UNLESS OTHERWISE SPECIFIED:		APVD SE LEONG	NAME RECEPTACLE ASSEMBLY 5H TYPE (0.5 BOSS LENGTH) FOR FH0.8MM PITCH B-T-B CONNECTOR	
0 PLC ±0.3		PRODUCT SPEC 108-5390	SIZE A3	
1 PLC ±0.3		APPLICATION SPEC 114-5254	CAGE CODE -	DRAWING NO C-5177983
2 PLC ±0.25		WEIGHT	RESTRICTED TO	
3 PLC ±0.2		CUSTOMER DRAWING	SCALE 4:1	SHEET 3 OF 3
4 PLC ±				REV C
ANGLES ±3°				
FINISH				