

5

4

3

2

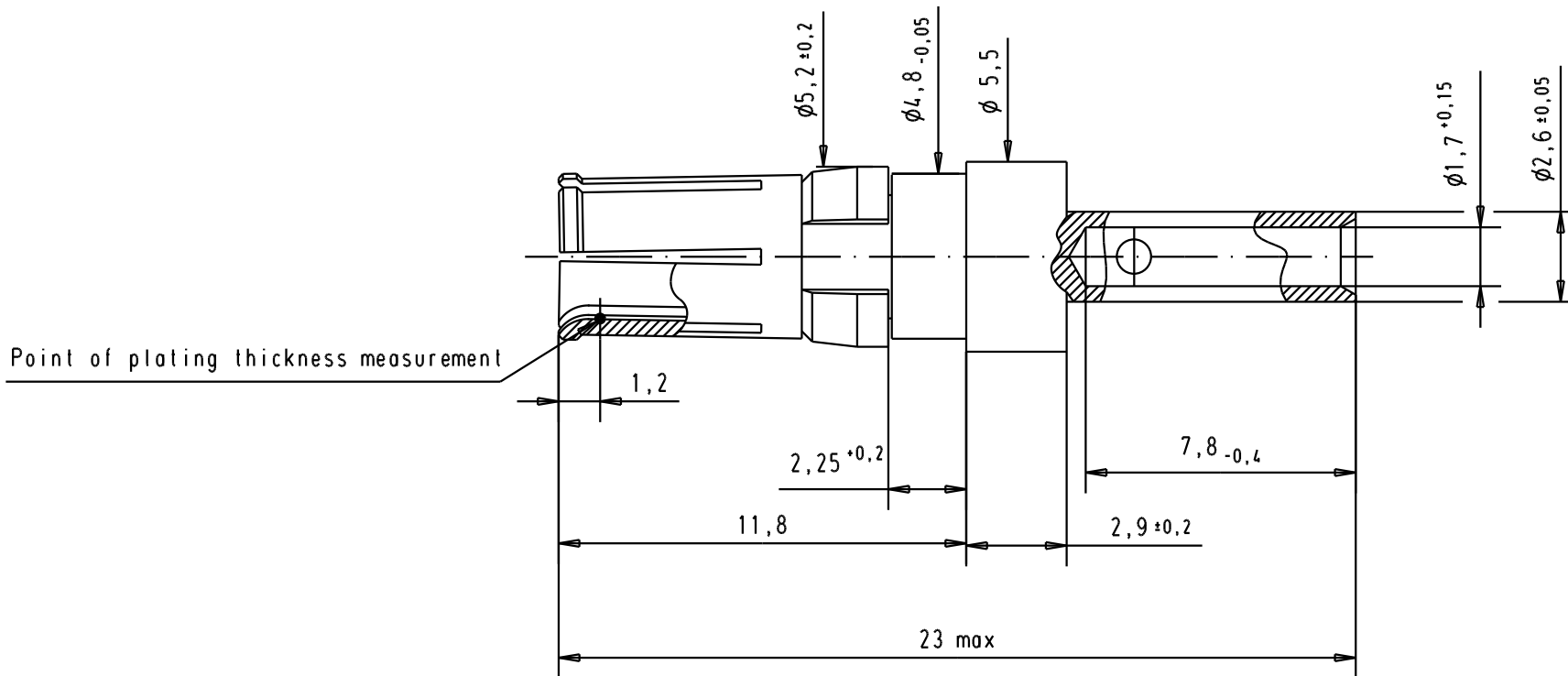
1

D

C

B

A



Crimping tool: 09 99 000 0509
 positioner: 09 99 000 0504

							Matlab/ Scale
							Female High power contact, 10A, straight cable termination, crimp for AWG 16-20
						5:1	
09691827420	Mating area	0,2 µm Au				All Dim. in mm Orig. Size DIN A 4	
	Termination area	0,2 µm Au					
09691825420	Mating area	0,8 µm Au	32809	21/04/05	AL	HARTING EURL F-95972 Paris	TB 09 69 182 x420
	Termination area	0,2 µm Au	31887	14/04/04	JH		
Part number	Plating		Mod.	Dat.	Name		Blatt/ Page 1 / 1