



## Main

Range of product	Harmony 9001KS
Product or component type	Selector switch
Device short name	9001K
Type of operator	Stay put
Operator profile	Key switch

## Complementary

Bezel material	Chromium plated metal
Mounting diameter	1.18 in (30 mm)
Product weight	0.46 lb(US) (0.207 kg)
Shape of signaling unit head	Octagonal
Operator position information	2 positions
Type of keylock	Ronis
Key number	455
Key withdrawal position	Left
Contacts type and composition	Without contact block
Mechanical durability	500000 cycles
Product compatibility	9001KA1, mounting on side 1 or 2 9001KA2, mounting on side 1 or 2
Device presentation	Basic element

## Environment

protective treatment	TC
ambient air temperature for storage	-40...158 °F (-40...70 °C)
ambient air temperature for operation	-13...158 °F (-25...70 °C)
overvoltage category	Class II conforming to IEC 61140
IP degree of protection	IP66 conforming to IEC 60529
NEMA degree of protection	NEMA 1 NEMA 12 NEMA 13 NEMA 2 NEMA 3 NEMA 3R NEMA 4
standards	EN/IEC 60947-1 EN/IEC 60947-5-1 EN/IEC 60947-5-4 JIS C 4520 JIS C 852 UL 508 CSA C22.2 No 14
product certifications	NEMA UL 508
vibration resistance	7 gn (f = 2...500 Hz) conforming to IEC 60068-2-6
shock resistance	50 gn conforming to IEC 60068-2-27

## Offer Sustainability

785901831273	785901831273
--------------	--------------

Compliant - since 0921 - Schneider Electric declaration of conformity    Compliant - since 0921 - Schneider Electric declaration of conformity

Reference not containing SVHC above the threshold    Reference not containing SVHC above the threshold

WARNING: This product can expose you to chemicals including:    WARNING: This product can expose you to chemicals including:

Nickel compounds, which is known to the State of California to cause cancer, and    Nickel compounds, which is known to the State of California to cause cancer, and

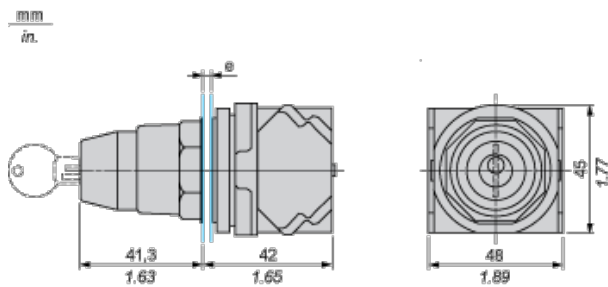
Di-isodecyl phthalate (DIDP), which is known to the State of California to cause birth defects or other reproductive harm.    Di-isodecyl phthalate (DIDP), which is known to the State of California to cause birth defects or other reproductive harm.

For more information go to [www.p65warnings.ca.gov](http://www.p65warnings.ca.gov)    For more information go to [www.p65warnings.ca.gov](http://www.p65warnings.ca.gov)

## Contractual warranty

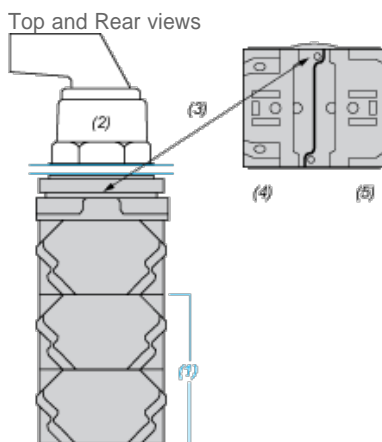
Warranty period    18 months

## Dimensions



e panel thickness: 1 to 6 mm / 0.04 to 0.24 in.

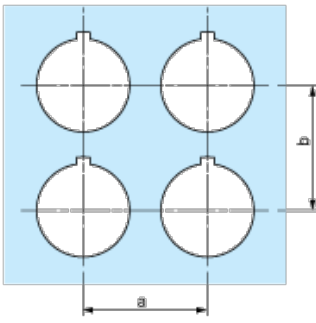
## Contact Block Mounting Position



- (1) It is possible to mount up to 3 levels of contacts blocks (maximum of 6 contacts blocks)
- (2) Operator
- (3) Locating notch
- (4) Side 1
- (5) Side 2

## Panel Cut-Out

### Clearance



Legend plate	a min.		b min.	
	mm	in.	mm	in.
9001KN2**	57.2	2.25	44.5	1.75
9001KN3**	57.2	2.25	50.8	2.00

### Individual Cut-outs Details

2 alternatives

$\frac{\text{mm}}{\text{in.}}$

