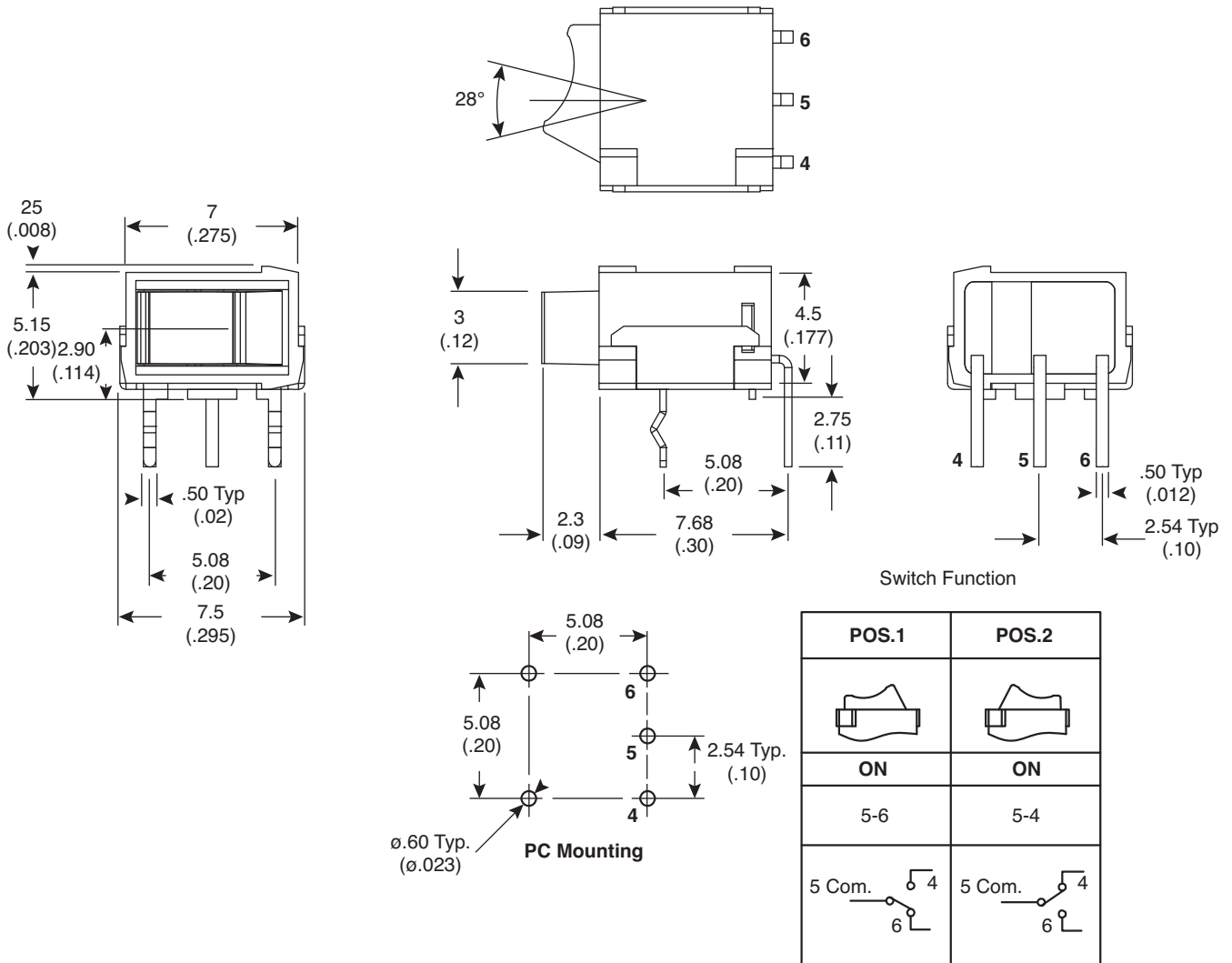


Dimensions: mm (in.)



**Electrical Specifications:**

- Contact Rating: 0.4VA Max. @ 20V AC or DC Max.
- Contact Resistance: Below 100mΩ typ. initial
- Insulation Resistance: 500MΩ min.
- Dielectric Strength: 500Vrms min.

**Mechanical Specifications:**

- Life :40,000 make-and-break cycles
- Operating Temperature: -30°C~+85°C

**Note:**

- RoHS Compliant

**Soldering Process:**

- Only for Wave Soldering, do not use in IR-Reflow Soldering

**Sealed Sub-Miniature Rocker Switch**

103-7137-EV

