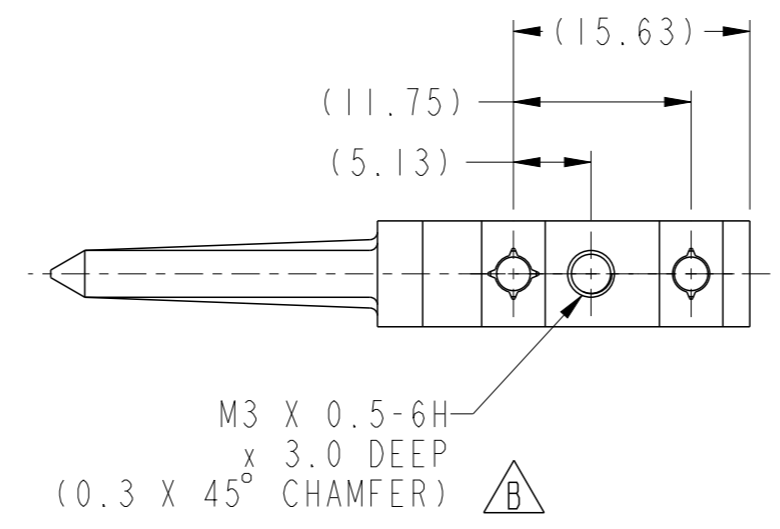
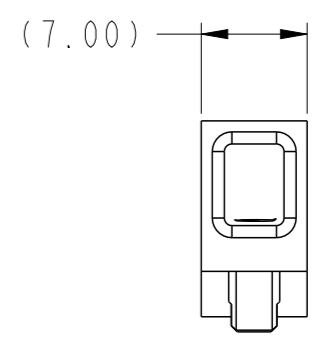
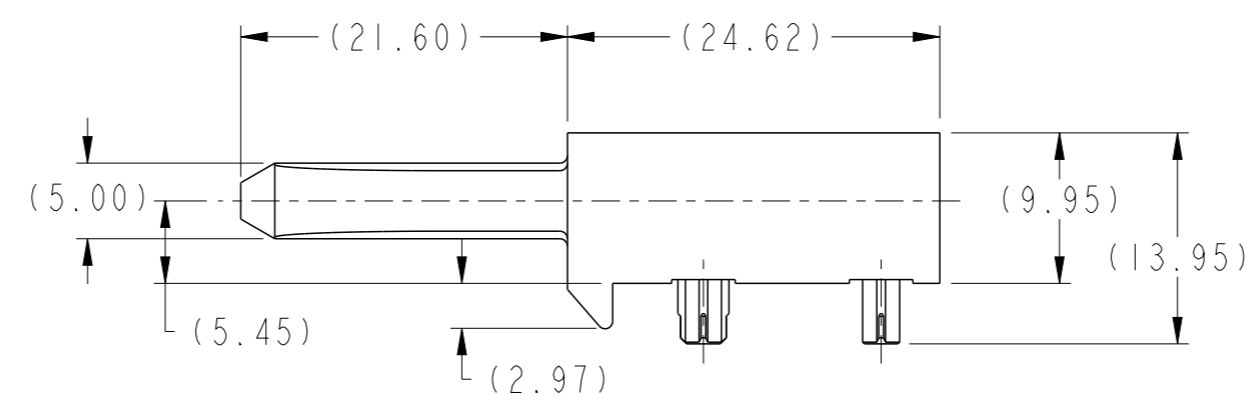
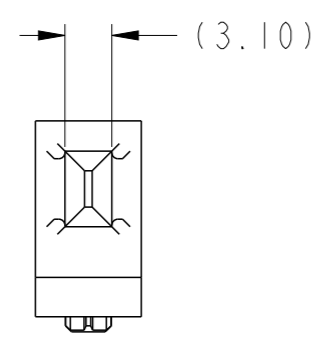


PRODUCT NUMBER  
SEE TABLE, SHEET 2



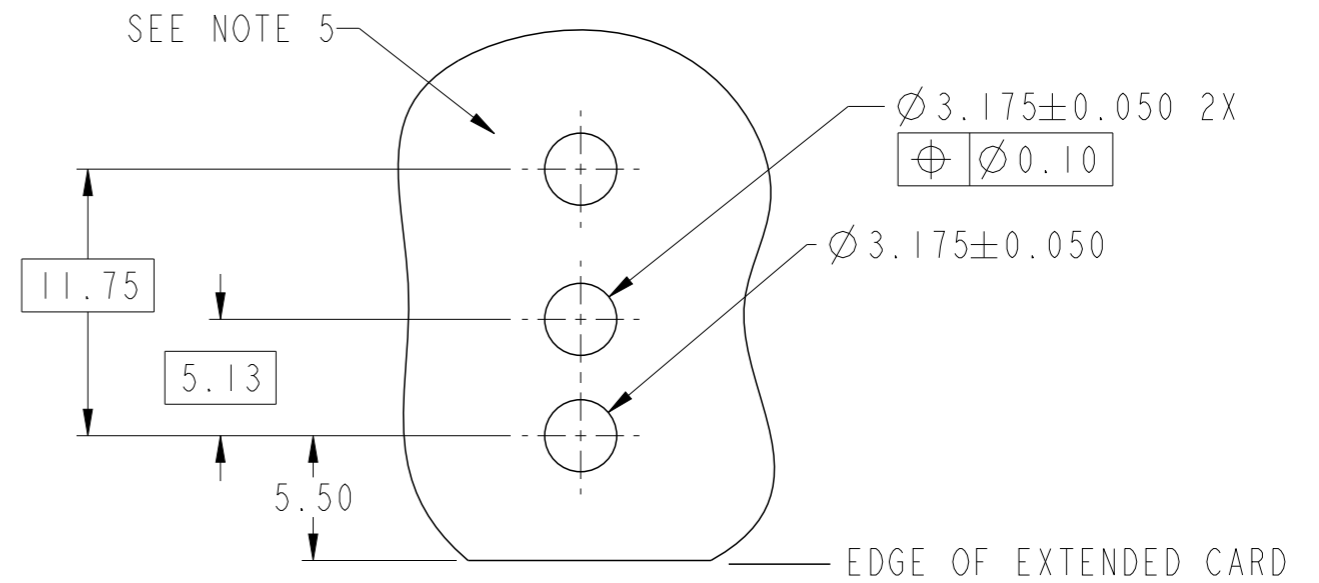
spec ref		dr	Chen-Hong Tan	2006/08/16	projection	MM	size	A3	scale	2:1
tolerance std ASME Y14.5		TOLERANCES UNLESS OTHERWISE SPECIFIED			eng	Yong-Keat Lim	2011/10/04	ecn no	ELX-S-006144-1	
		chr			product family		AirMax Accessories		rel level	
		appr	Chen-Hong Tan	2011/10/07					Released	
surface	3.2	linear	0.X	±0.3		7.2mm R/A GUIDE BLADE		dwg no 10045588	rev	
			0.XX	±0.10		2/3 PAIR			B	
			0.XXX	±0.050						
ASME Y14.5		angular	0°	±2°	www.fci.com	cat. no.	-	Product - Customer Drw		sheet 1 of 2

Copyright FCI.

Product number  
10045588-101LF

NOTES:

1. MATERIAL: ZINC ALLOY.
2. FINISH: ZINC YELLOW CHROMATE.
3. APPLICATION SPECIFICATION: GS-20-045.
4. REFER TO CUSTOMER DRAWING 10035911 FOR INFORMATION REGARDING PCB LAYOUT OF POWER AND GUIDE MODULES RELATIVE TO SIGNAL MODULES.
5. RIGHT ANGLE PIN MODULE HAS THE SAME PCB FOOTPRINT AS RIGHT ANGLE RECEPTACLE MODULE (REF P/N 10045367 SHEET 2).
6. THIS PRODUCT MEETS EUROPEAN DIRECTIVES AND OTHER COUNTRY REGULATIONS AS DESCRIBED IN GS-22-008
7. PACKAGING MEETS GS-14-920 LEAD FREE LABELING SPECIFICATION.
8. A  $\triangle B$  SYMBOL WILL BE NEXT TO ANY DIMENSION, VIEW, OR NOTE WHICH HAS BEEN MODIFIED WITH THE CURRENT DRAWING REVISION.



RECOMMENDED PCB LAYOUT  
NOTE 4  
SCALE 3:1



Copyright FCI.

spec ref		dr	Chen-Hong Tan	2006/08/16	projection	MM	size	A3	scale	1:1
tolerance std		eng	Yong-Keat Lim	2011/10/04			ecn no		ELX-S-006144-1	
ASME Y14.5		chr	-	-			rel level		Released	
-		TOLERANCES UNLESS OTHERWISE SPECIFIED		appr	Chen-Hong Tan	2011/10/07	product family		AirMax Accessories	
surface	3.2	linear	0.X	±0.3		7.2mm R/A GUIDE BLADE 2/3 PAIR	dwg no		10045588	
			0.XX	±0.10			rev		B	
			0.XXX	±0.050			cat. no.		-	
ASME Y14.5	angular	0°	±2°	www.fci.com		Product - Customer Drw		sheet 2 of 2		