



### Certifications & Ratings

- UL 1598 (E156890)
- IP66
- NEMA 4X
- RoHS Compliant w/6C exemption
- IK07

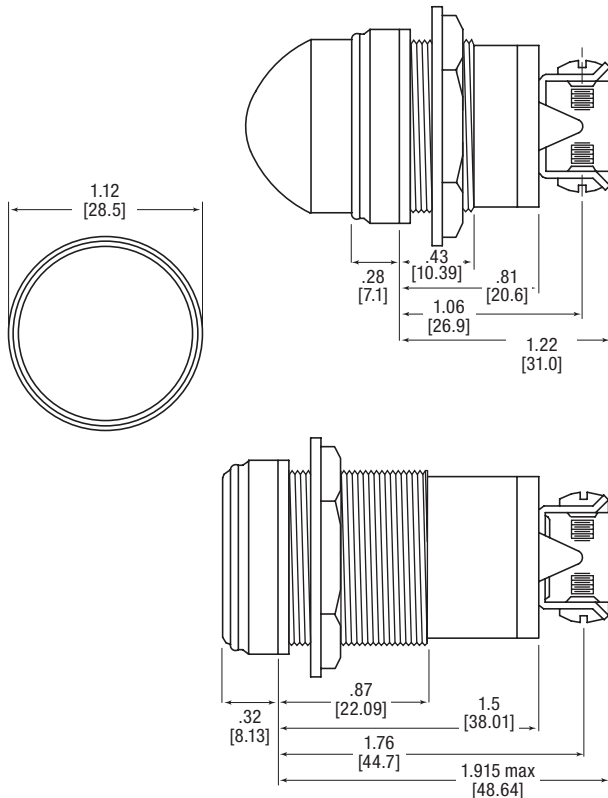
### Application

The 556 Series LED Panel Mount Indicators incorporate both InGaN and AlInGaP technologies to offer maximum light output. This is a highly durable package, designed to withstand outdoor applications susceptible to rain, dust and sunlight. In addition, the Class I, Division 2 rating allows for use in hazardous environments common to the oil and gas, mining, and chemical industries:

- Instrument panels
  - Safety applications
  - UL 508 panel applications
  - Petrochemical applications
  - Environmental Monitoring Equipment specifications
  - Pump system controllers
  - Mining application
  - Oil Refineries
  - Agricultural controls
  - Power generators
- ... and many more!

### Dimensions

inches [mm]



### Mechanical information

**Mounting Hole Size:** 1.0" (25.4 mm)

**Max Panel Thickness:** Flat: 0.600" (15.24 mm)  
Dome: 0.187" (4.27 mm)

**Mounting Torque:** 40 in-lbs

### Specifications

**Voltage Options:** 12 to 125VDC, and 125, 230VAC (no resistor required)

**Operating Temp:** -30°C to +85°C (-22°F to +185°F)

**Storage Temp:** -40°C to +100°C (-40°F to +212°F)

**Electrical Connection:** 6-32 screw terminals

**Housing:** Brass—White or Black Nickel Plated

**Terminals:** Brass — Hot solder dip per Mil-F-14072D, M258, Type II

**Lens Material:** Transparent Polycarbonate (UL 94V-0)

**Lock Washer:** Phosphor Bronze — White or Black Nickel Plated

**Nut:** Brass—White or Black Nickel Plated

**Ordering Information**  
556 Series – Class 1, Div 2

**Part Number Guide 556 Series**

RoHS Compliant

5	5	6	-	X	X	X	X	-	X	2	4	F
<b>Lens Style</b>		<b>Color</b>				<b>Voltage</b>						
Flat	1					3	12 VDC					
Domed	3	○ White	0	0	4	24 VDC						
		● Red	5	0	8	37.5 VDC						
		● Green	6	0	6	72 VDC						
		● Cyan	6	8	7	125 VDC						
		● Yellow	7	0	5	125 VAC						
		● Blue	8	0	9	230 VDC						
		● Orange	9	0								
							<b>Plating</b>					
							2 Black					
							3 White					

**Flat Lens**

**Domed Lens**

White Nickel	Black Nickel	White Nickel	Black Nickel	Color	Voltage	Typ Current (mA)	Typical Intensity (mcd)
556-1003-324F	556-1003-224F	556-3003-324F	556-3003-224F	○ White	12 VDC	60	6900
556-1503-324F	556-1503-224F	556-3503-324F	556-3503-224F	● Red		95	5100
556-1603-324F	556-1603-224F	556-3603-324F	556-3603-224F	● Green		60	6900
556-1683-324F	556-1683-224F	556-3683-324F	556-3683-224F	● Cyan		60	6900
556-1703-324F	556-1703-224F	556-3703-324F	556-3703-224F	● Yellow		95	5100
556-1803-324F	556-1803-224F	556-3803-324F	556-3803-224F	● Blue		60	2000
556-1903-324F	556-1903-224F	556-3903-324F	556-3903-224F	● Orange		95	5100
556-1004-324F	556-1004-224F	556-3004-324F	556-3004-224F	○ White	24 VDC	32	6900
556-1504-324F	556-1504-224F	556-3504-324F	556-3504-224F	● Red		46	5100
556-1604-324F	556-1604-224F	556-3604-324F	556-3604-224F	● Green		32	6900
556-1684-324F	556-1684-224F	556-3684-324F	556-3684-224F	● Cyan		32	6900
556-1704-324F	556-1704-224F	556-3704-324F	556-3704-224F	● Yellow		46	5100
556-1804-324F	556-1804-224F	556-3804-324F	556-3804-224F	● Blue		32	2000
556-1904-324F	556-1904-224F	556-3904-324F	556-3904-224F	● Orange		46	2000
556-1508-324F	556-1508-224F	556-3508-324F	556-3508-224F	● Red	37.5 VDC	20	4500
556-1608-324F	556-1608-224F	556-3608-324F	556-3608-224F	● Green		16	6900
556-1708-324F	556-1708-224F	556-3708-324F	556-3708-224F	● Yellow		20	4500
556-1006-324F	556-1006-224F	556-3006-324F	556-3006-224F	○ White	72 VDC	18.5	5100
556-1506-324F	556-1506-224F	556-3506-324F	556-3506-224F	● Red		18.5	4500
556-1606-324F	556-1606-224F	556-3606-324F	556-3606-224F	● Green		16	5100
556-1706-324F	556-1706-224F	556-3706-324F	556-3706-224F	● Yellow		20	4500
556-1806-324F	556-1806-224F	556-3806-324F	556-3806-224F	● Blue		18.5	1700
556-1007-324F	—	556-3007-324F	—	○ White	125 VDC	10.5	3100
556-1507-324F	—	556-3507-324F	—	● Red		10	1200
556-1607-324F	—	556-3607-324F	—	● Green		10	1700
556-1707-324F	—	556-3707-324F	—	● Yellow	10	1200	
556-1005-324F	—	556-3005-324F	—	○ White	125 VAC	11	3100
556-1505-324F	—	556-3505-324F	—	● Red		10.5	2000
556-1605-324F	—	556-3605-324F	—	● Green		9.5	3100
556-1685-324F	—	556-3685-324F	—	● Cyan		9.5	3100
556-1705-324F	—	556-3705-324F	—	● Yellow		10.5	2000
556-1805-324F	—	556-3805-324F	—	● Blue		9.5	860
556-1905-324F	—	556-3905-324F	—	● Orange		10.5	860
556-1009-324F	—	556-3009-324F	—	○ White	230 VAC	6	3100
556-1509-324F	—	556-3509-324F	—	● Red		7	2000
556-1609-324F	—	556-3609-324F	—	● Green		7	3100
556-1709-324F	—	556-3709-324F	—	● Yellow		7	2000
556-1809-324F	—	556-3809-324F	—	● Blue		7	860
556-1909-324F	—	556-3909-324F	—	● Orange		7	3100