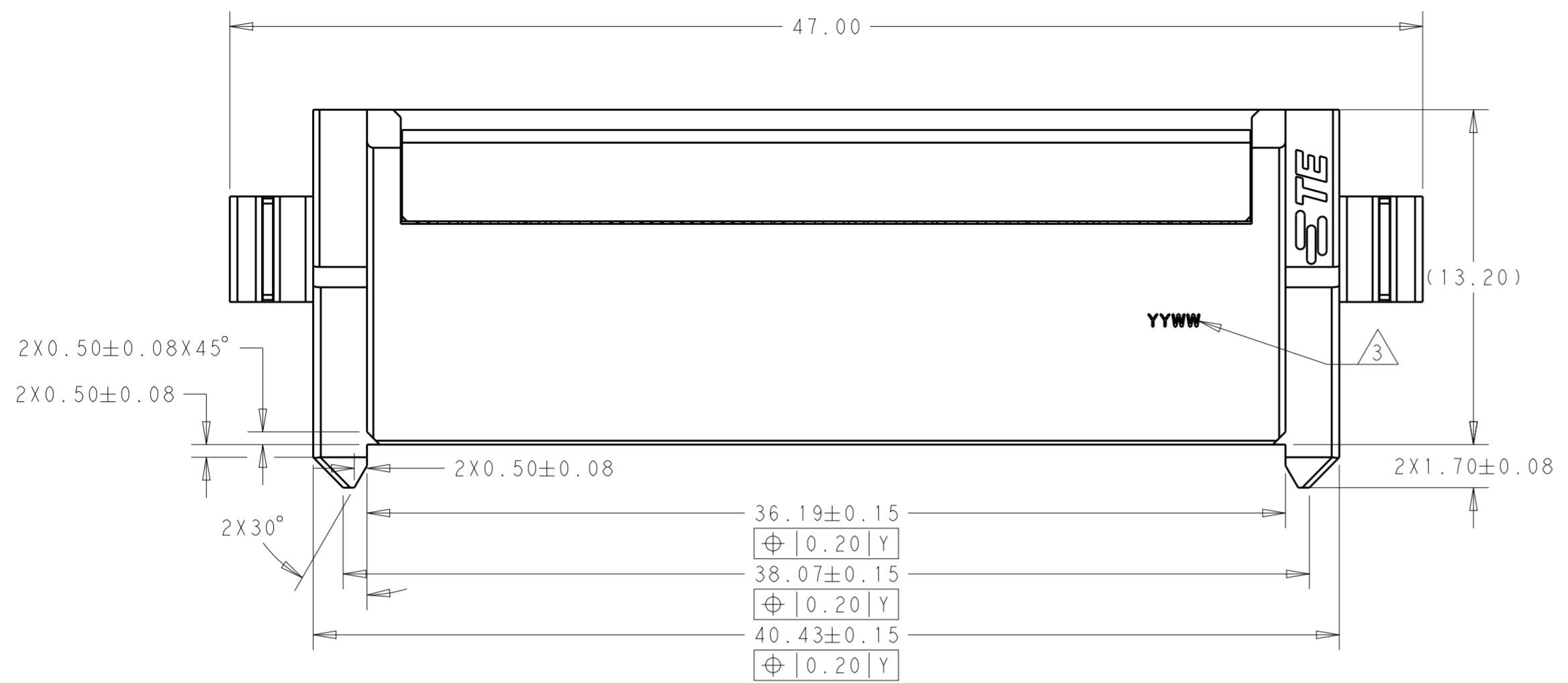
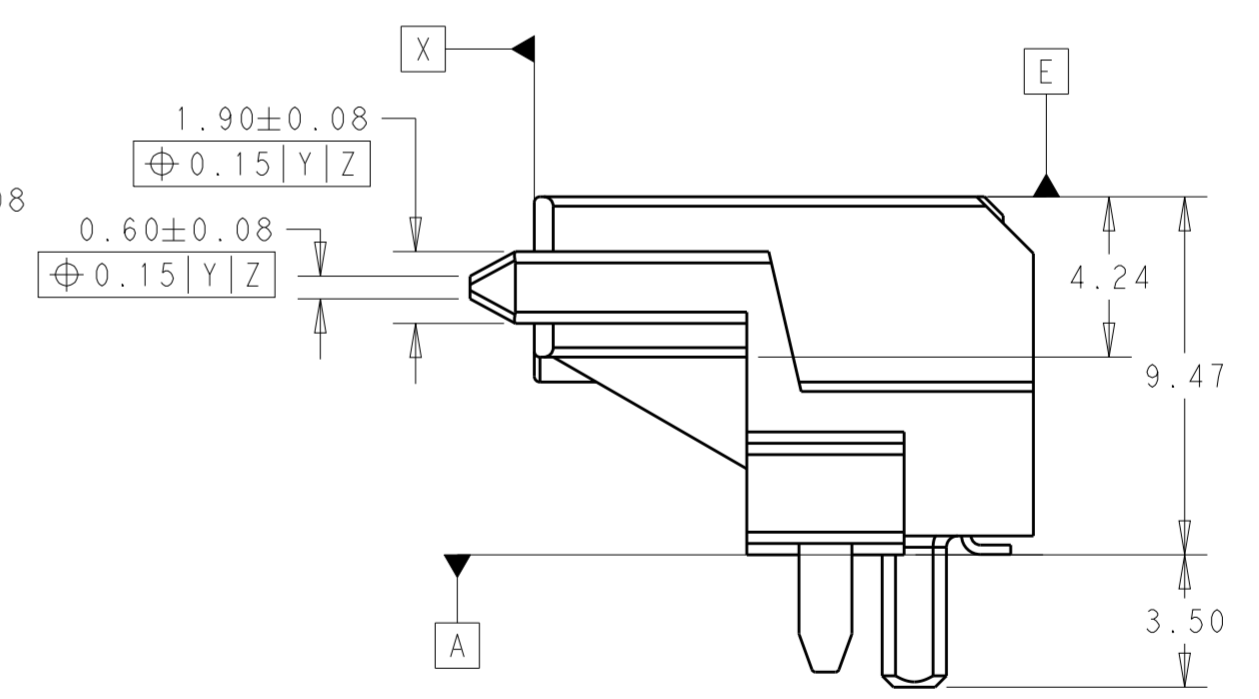
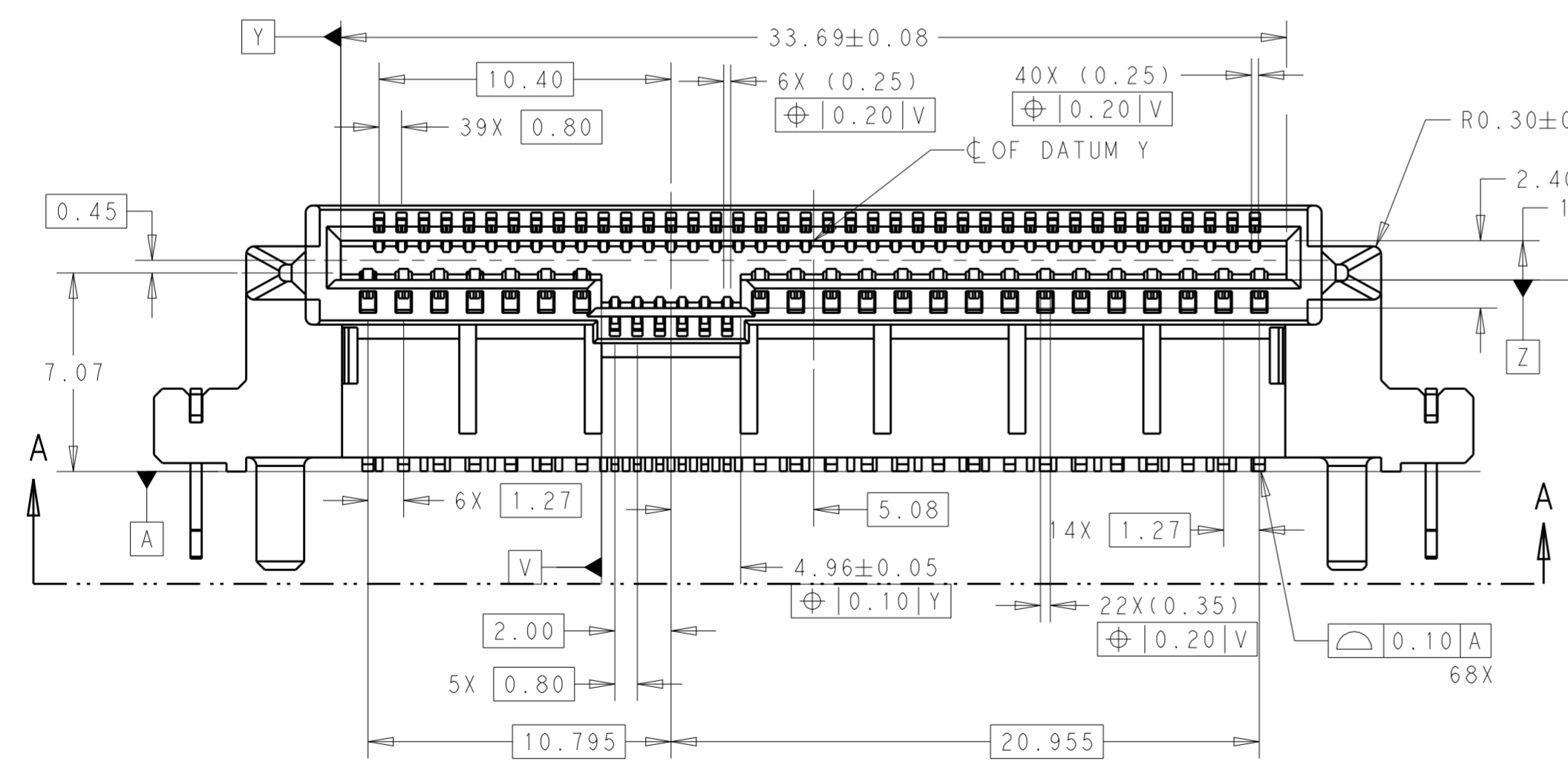


THIS DRAWING IS UNPUBLISHED. RELEASED FOR PUBLICATION
 © COPYRIGHT copyright.d8Te- ALL RIGHTS RESERVED.

REVISIONS					
P	LTR	DESCRIPTION	DATE	DWN	APVD
A		RELEASED FOR PRODUCTION	20APR2017	TX	SH
B		REVISED PER ECO-17-012209	21AUG2017	TX	SH



NOTES:
 1. MATERIAL:
 HOUSING: LCP, GLASS FILLED.UL 94V-0,COLOR: BLACK
 TERMINAL: COPPER ALLOY
 PCB HOLD-DOWN: COPPER ALLOY
 2. PLATING:
 TERMINAL:
 CONTACT AREA: 0.76um MIN GOLD PLATING
 SOLDER TAIL: 2.54um MIN TIN PLATING
 UNDERPLATE: 1.27um MIN NICKEL PLATING
 PCB HOLD-DOWN: 2.54um MIN TIN OVER 1.27um NICKEL PLATING
 3. DATE LOGO. DATE CODE TO BE LOCATED APPROXIMATELY AS SHOWN.
 NON-FUNCTIONAL CORING MAY VARY.
 4. CONNECTOR COMES WITH A CAP TO BE REMOVED AFTER SOLDERING

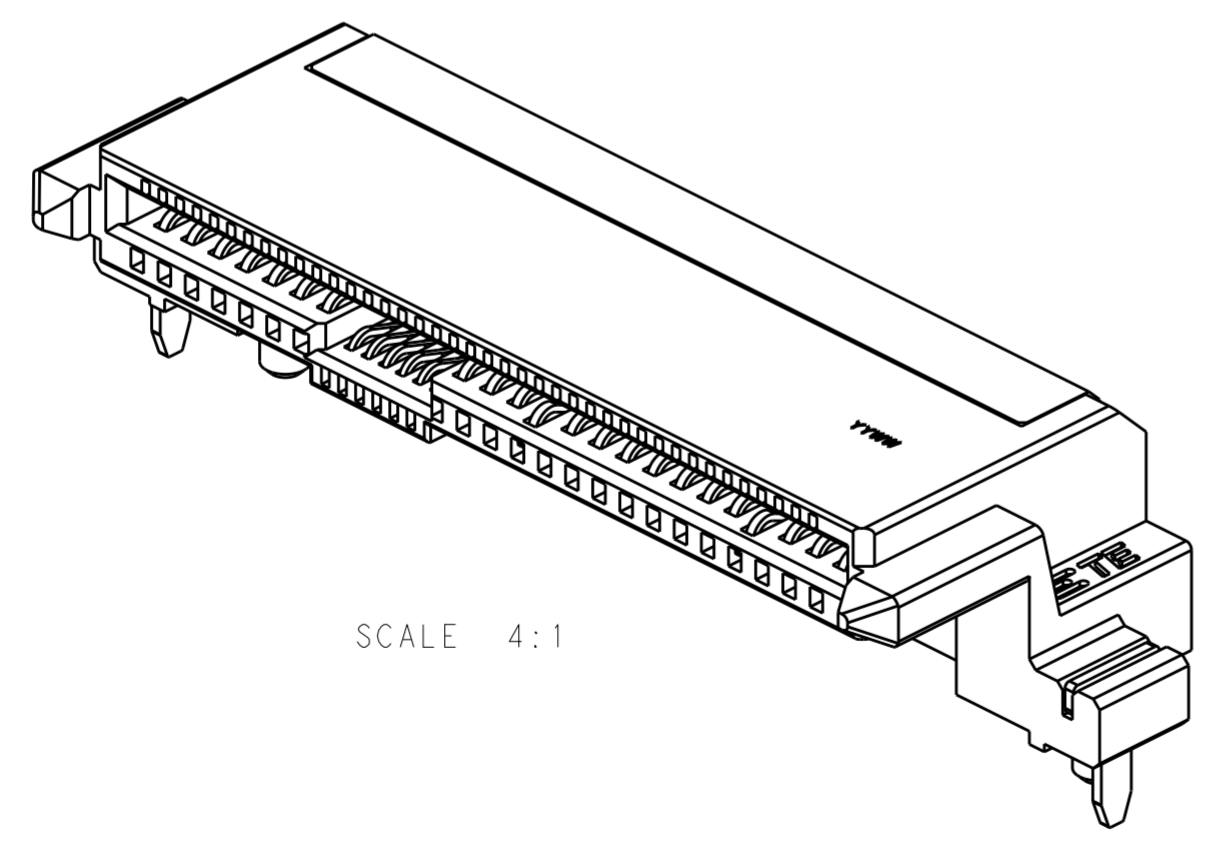
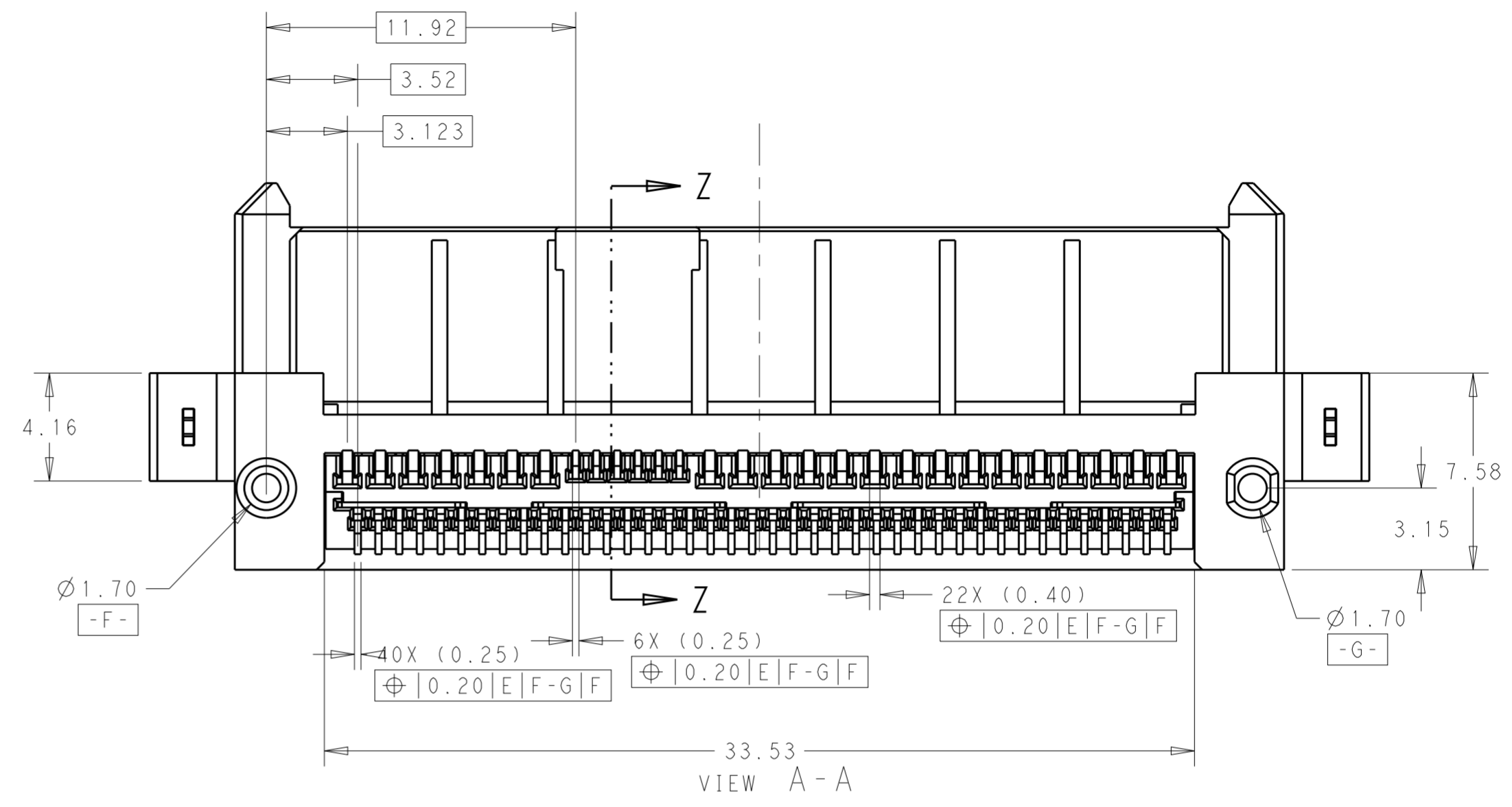
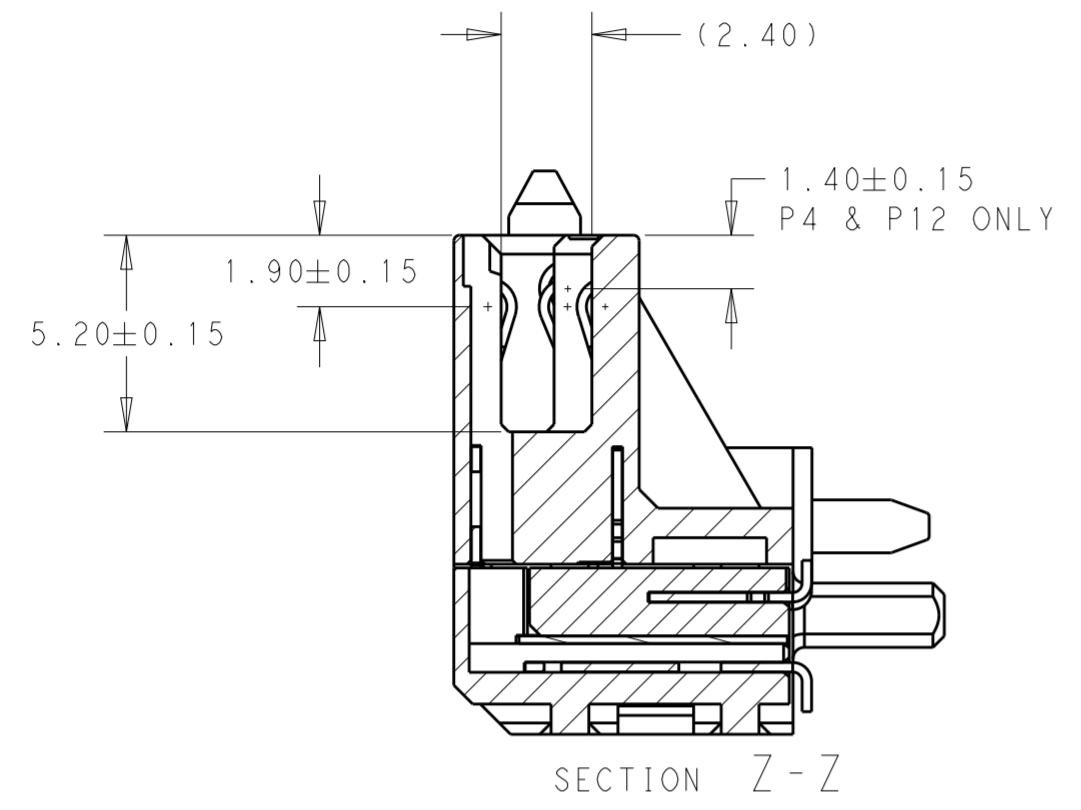


2309567-1
 PART NUMBER

THIS DRAWING IS A CONTROLLED DOCUMENT.		DWN TIM XUE 14SEP2016	TE Connectivity		
DIMENSIONS: mm		CHK SEAN HAN 14SEP2016			
TOLERANCES UNLESS OTHERWISE SPECIFIED:		APVD SEAN HAN 14SEP2016	NAME SAS/PCIE, RECEPTACLE SMT, RIGHT ANGLE TYPE		
0 PLC ±		PRODUCT SPEC	SIZE A2		
1 PLC ±0.25		APPLICATION SPEC	CAGE CODE C-2309567		
2 PLC ±0.20		WEIGHT	DRAWING NO C-2309567		
3 PLC ±0.20		CUSTOMER DRAWING	RESTRICTED TO		
4 PLC ±		SCALE 1:1	SHEET 1 OF 4		
ANGLES ±3°			REV B		
FINISH					

THIS DRAWING IS UNPUBLISHED. RELEASED FOR PUBLICATION
 © COPYRIGHT copyright_dBTe ALL RIGHTS RESERVED.

REVISIONS				
P	LTR	DESCRIPTION	DATE	APVD
-		SEE SHEET 1	-	-

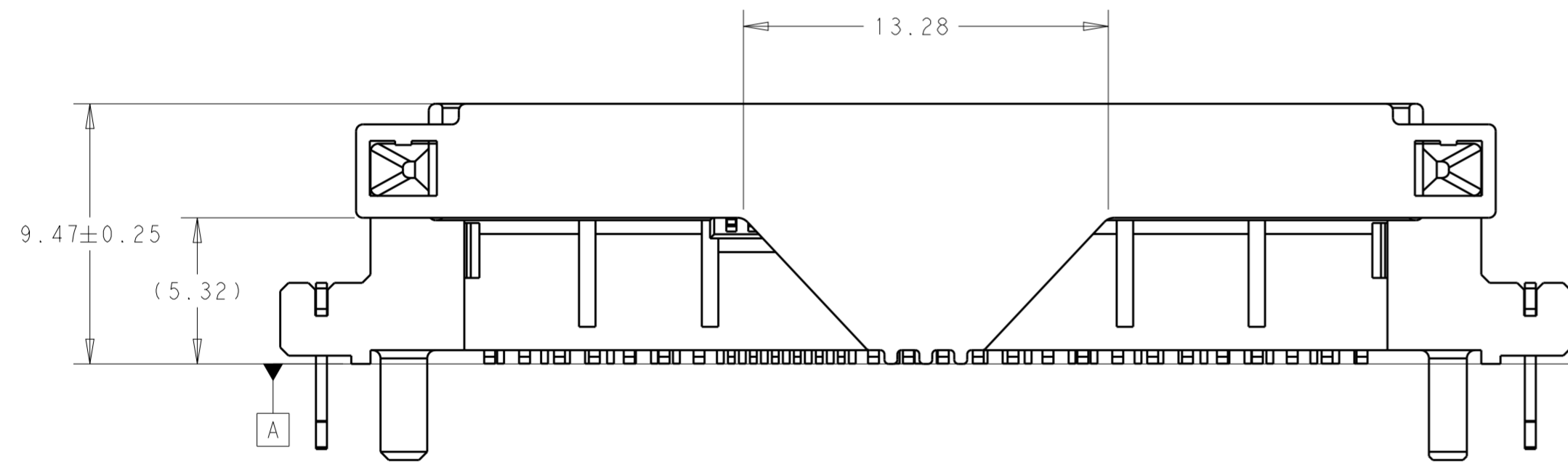
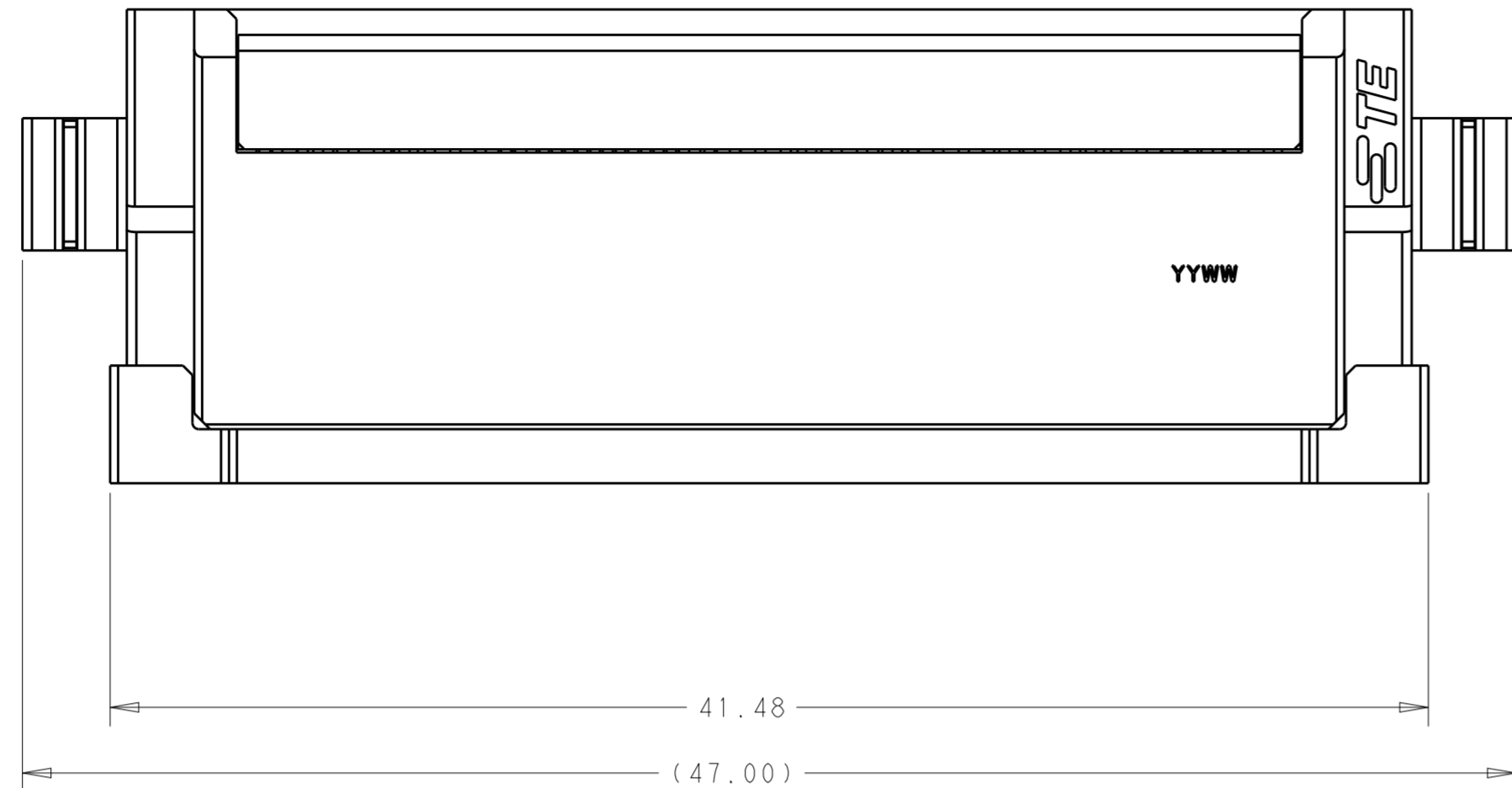


SCALE 4:1

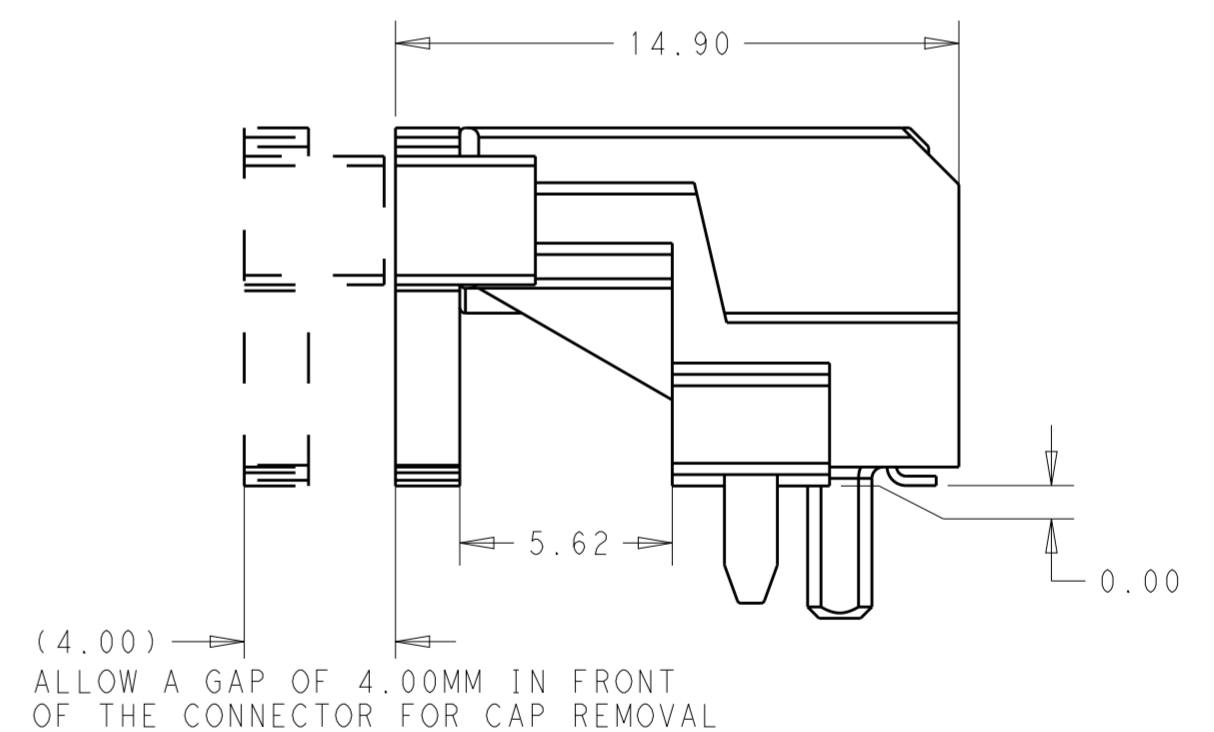
THIS DRAWING IS A CONTROLLED DOCUMENT.		DWN TIM XUE 14SEP2016	TE Connectivity																											
DIMENSIONS:		CHK SEAN HAN 14SEP2016																												
mm	TOLERANCES UNLESS OTHERWISE SPECIFIED:	APVD SEAN HAN 14SEP2016	NAME SAS/PCIe, RECEPTACLE SMT, RIGHT ANGLE TYPE																											
<table border="1"> <tr><td>0 PLC</td><td>±</td></tr> <tr><td>1 PLC</td><td>±0.25</td></tr> <tr><td>2 PLC</td><td>±0.20</td></tr> <tr><td>3 PLC</td><td>±0.20</td></tr> <tr><td>4 PLC</td><td>±</td></tr> <tr><td>ANGLES</td><td>±3°</td></tr> <tr><td>FINISH</td><td>-</td></tr> </table>	0 PLC	±	1 PLC	±0.25	2 PLC	±0.20	3 PLC	±0.20	4 PLC	±	ANGLES	±3°	FINISH	-	<table border="1"> <tr><td>PRODUCT SPEC</td><td>-</td></tr> <tr><td>APPLICATION SPEC</td><td>-</td></tr> <tr><td>WEIGHT</td><td>-</td></tr> </table>	PRODUCT SPEC	-	APPLICATION SPEC	-	WEIGHT	-	<table border="1"> <tr><td>SIZE</td><td>A2</td></tr> <tr><td>CAGE CODE</td><td>C-2309567</td></tr> <tr><td>DRAWING NO</td><td>C-2309567</td></tr> </table>	SIZE	A2	CAGE CODE	C-2309567	DRAWING NO	C-2309567	RESTRICTED TO	
0 PLC	±																													
1 PLC	±0.25																													
2 PLC	±0.20																													
3 PLC	±0.20																													
4 PLC	±																													
ANGLES	±3°																													
FINISH	-																													
PRODUCT SPEC	-																													
APPLICATION SPEC	-																													
WEIGHT	-																													
SIZE	A2																													
CAGE CODE	C-2309567																													
DRAWING NO	C-2309567																													
MATERIAL	-	CUSTOMER DRAWING	SCALE 1:1	SHEET 2 OF 4	REV B																									

THIS DRAWING IS UNPUBLISHED. RELEASED FOR PUBLICATION
 © COPYRIGHT copyright.ste ALL RIGHTS RESERVED.

REVISIONS				
P	LTR	DESCRIPTION	DATE	APVD
-		SEE SHEET 1	-	-



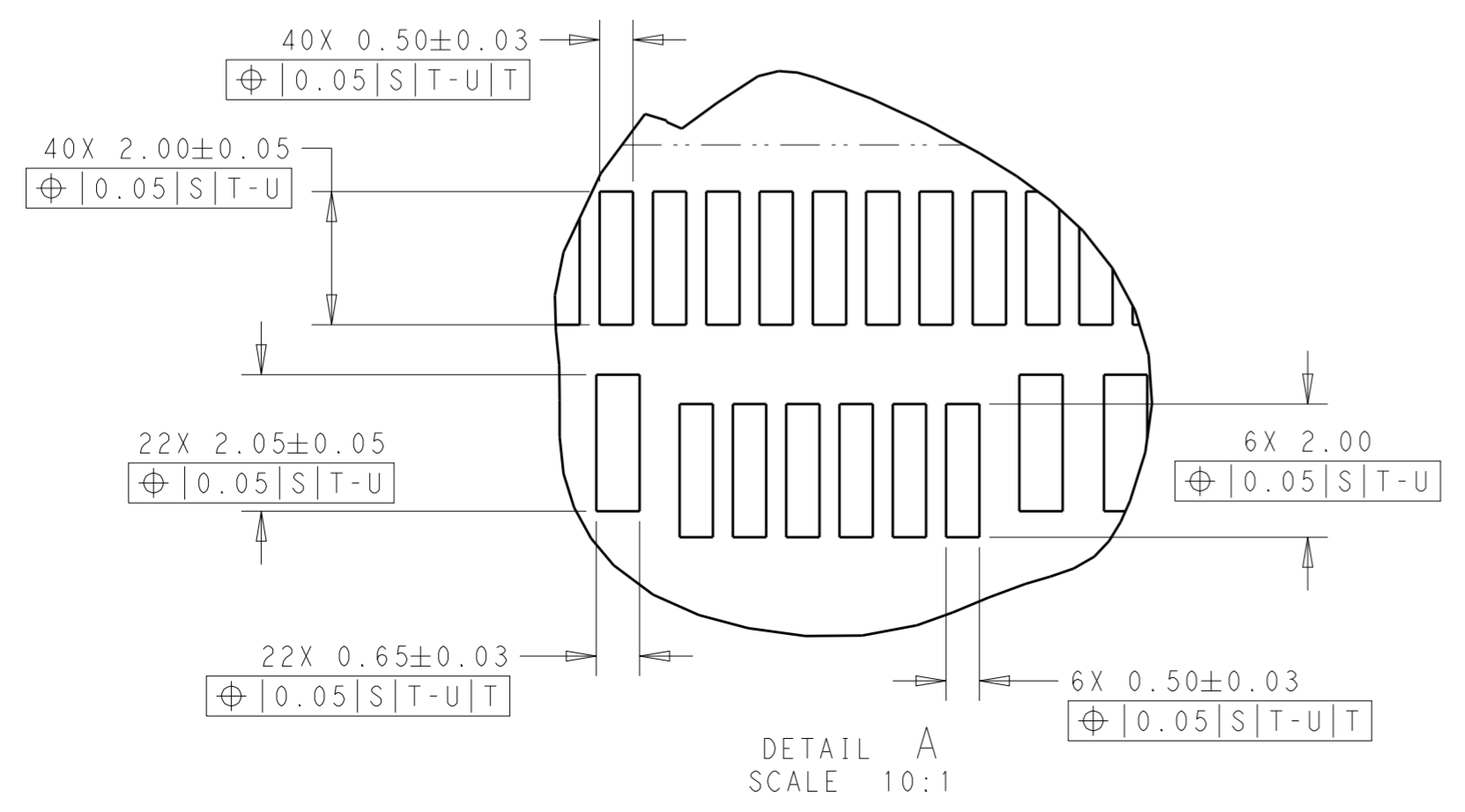
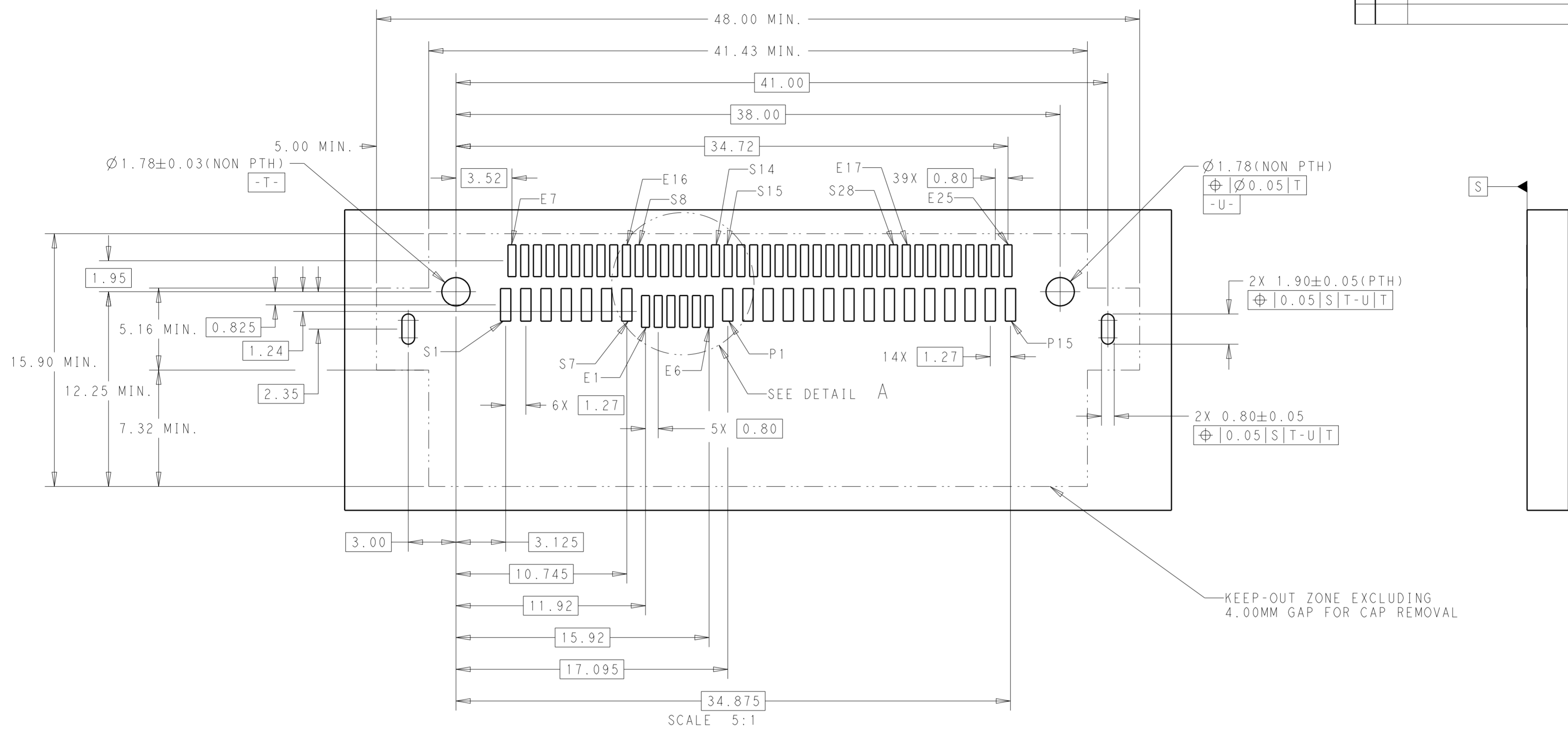
CONNECTOR OUTLINE WITH CAP
 SCALE 5:1



THIS DRAWING IS A CONTROLLED DOCUMENT.		DWN TIM XUE 14SEP2016	STE TE Connectivity	
		CHK SEAN HAN 14SEP2016		
DIMENSIONS: mm		APVD SEAN HAN 14SEP2016	NAME SAS/PCIe, RECEPTACLE SMT, RIGHT ANGLE TYPE	
TOLERANCES UNLESS OTHERWISE SPECIFIED: 0 PLC ± 1 PLC ±0.25 2 PLC ±0.20 3 PLC ±0.20 4 PLC ± ANGLES ±3° FINISH		PRODUCT SPEC -	SIZE A2	RESTRICTED TO -
MATERIAL -		APPLICATION SPEC -	CAGE CODE C-2309567	
		WEIGHT -	DRAWING NO. C-2309567	
		CUSTOMER DRAWING	SCALE 1:1	SHEET 3 OF 4 REV B

THIS DRAWING IS UNPUBLISHED. RELEASED FOR PUBLICATION
 © COPYRIGHT copyright.d8Te- ALL RIGHTS RESERVED.

REVISIONS				
P	LTR	DESCRIPTION	DATE	APVD
-	-	SEE SHEET 1	-	-



THIS DRAWING IS A CONTROLLED DOCUMENT.		DWN TIM XUE 14SEP2016	 TE Connectivity
DIMENSIONS: mm		CHK SEAN HAN 14SEP2016	
TOLERANCES UNLESS OTHERWISE SPECIFIED:		APVD SEAN HAN 14SEP2016	
0 PLC ± 1 PLC ±0.25 2 PLC ±0.20 3 PLC ±0.20 4 PLC ± ANGLES ±3° FINISH -		NAME SAS/PCIe, RECEPTACLE SMT, RIGHT ANGLE TYPE PRODUCT SPEC - APPLICATION SPEC - WEIGHT - CUSTOMER DRAWING	
MATERIAL -		SIZE A2	CAGE CODE C-2309567 DRAWING NO C-2309567 RESTRICTED TO - SCALE 1:1 SHEET 4 OF 4 REV B