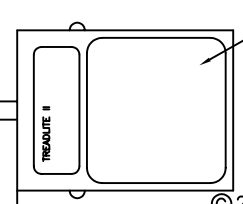
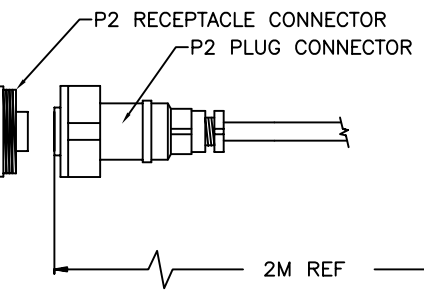
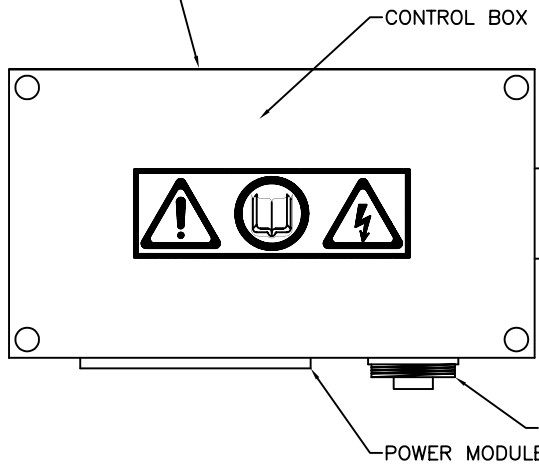
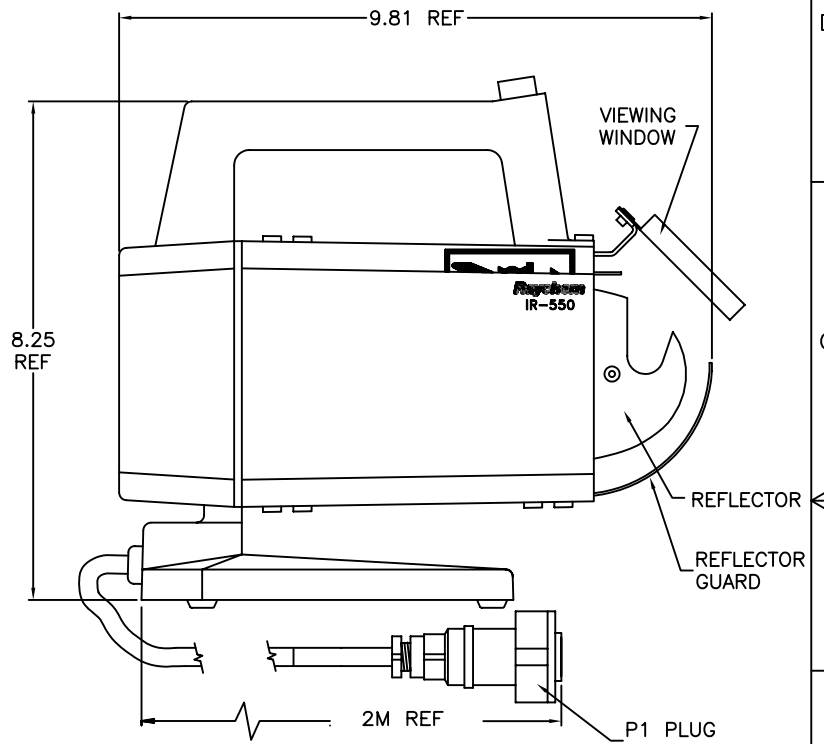
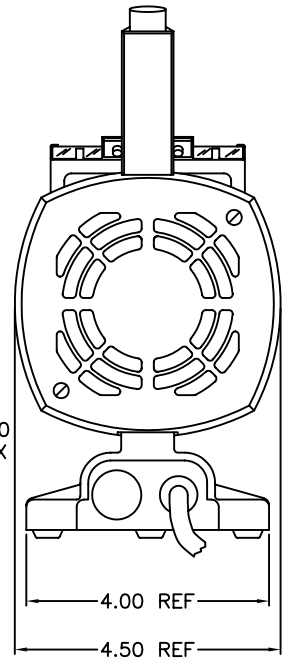
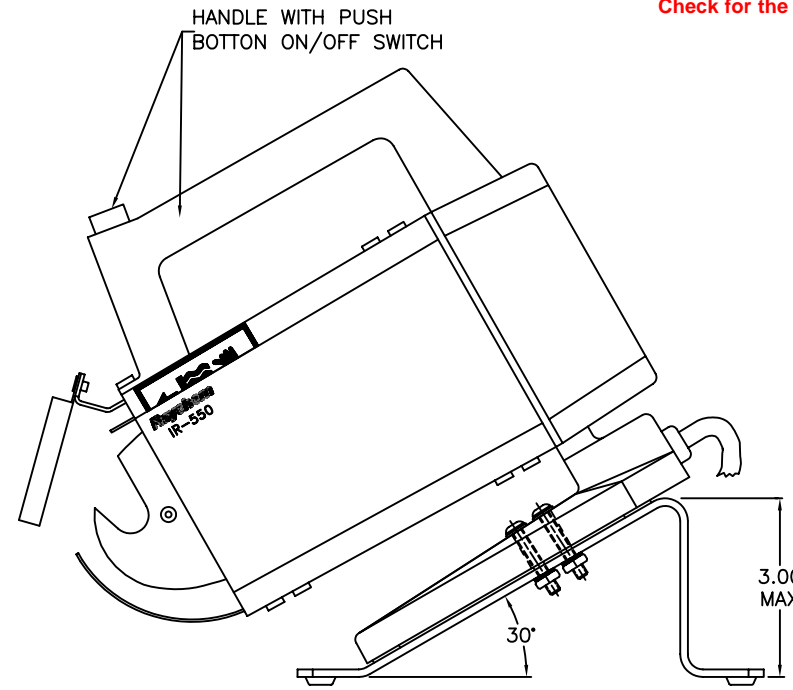


REVISIONS			
LTR	DESCRIPTION	DATE	APPROVED
A	INITIAL RELEASE PER DCR NO. RO40261	04/05/04	PMG

If this document is printed it becomes uncontrolled.
Check for the latest revision.



SPECIFICATION CONTROL DRAWING

©2004 Tyco Electronics Corporation All rights reserved.

UNLESS OTHERWISE SPECIFIED DIMENSIONS ARE IN INCHES. METRIC DIMENSIONS ARE IN BRACKETS.	DRWN	P. GODFREY	DATE	03/12/04		tyco Electronics <small>RAYCHEM PRODUCTS 305 CONSTITUTION DRIVE BELLFLOPP, CALIFORNIA 94025</small>
	DESIGN	E. STADLER	DATE	03/12/04		
	APPROVED	E. STADLER	DATE	03/12/04		
	THIRD ANGLE PROJECTION					
DECIMALS	.XXX ±			TITLE	IR-550-300 MARK III-CE HEATING TOOL	
ANGLES	.XX ±			SIZE	D	06090
WEIGHT	X ±			PROJECT	IR-550 CE	
				SCALE	FULL (DO NOT SCALE THIS DRAWING)	
				SHEET	1 OF 2	

REVISIONS			
LR	DESCRIPTION	DATE	APPROVED
A	INITIAL RELEASE PER DCR NO. R040261	04/05/04	PMG

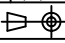
NOTES:

1. THIS IR-550-300 MARK III-CE HEATING TOOL MAY BE PURCHASED FROM TYCO ELECTRONICS AS PCN: C66438-000.
2. REFER TO IR-550-300 MARK III-CE OPERATING AND MAINTENANCE MANUALS FOR COMPLETE OPERATING INSTRUCTIONS.
3. SPECIFICATIONS:
 INPUT POWER- 230 VAC.
 WEIGHT- 5.5 LBS APPROX.
 DUTY CYCLE- 80%, 90 SECOND HEATING TIMES.
4. THE IR-550-300 MARK III-CE IS SUPPLIED WITH TWO POWER CORDS:
 IR-550-300 MARK III-CE EUR-PWR-CORD
 IR-550-300 MARK III-CE UK-PWR-CORD

SPECIFICATION CONTROL
DRAWING

©2004 Tyco Electronics Corporation All rights reserved.

If this document is printed it becomes uncontrolled.
Check for the latest revision.

UNLESS OTHERWISE SPECIFIED DIMENSIONS ARE IN INCHES. METRIC DIMENSIONS ARE IN BRACKETS.	DRWN P. GODFREY	DATE 03/18/04	tyco Electronics	RAYCHEM PRODUCTS 305 CONSTITUTION DRIVE MENLO PARK, CALIFORNIA 94025		
	DESIG E. STADLER	DATE 03/18/04				
	DECIMALS .XXX ± _____ .XX ± _____ ANGLES X ± _____	APPROVED E. STADLER	DATE 03/18/04	TITLE IR-550-300 MARK III-CE HEATING TOOL 230 VAC SERVICE		
	THIRD ANGLE PROJECTION 	OWT NAME R040261b	PROJECT IR-550 CE	SIZE D	CODE IDENT. NO. 06090	DRG. NO. IR-550-300
WEIGHT _____ lbs [g]	SCALE FULL		DO NOT SCALE THIS DRAWING SHEET 2 OF 2			