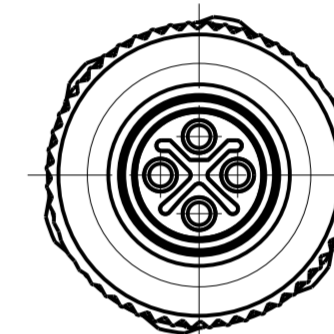
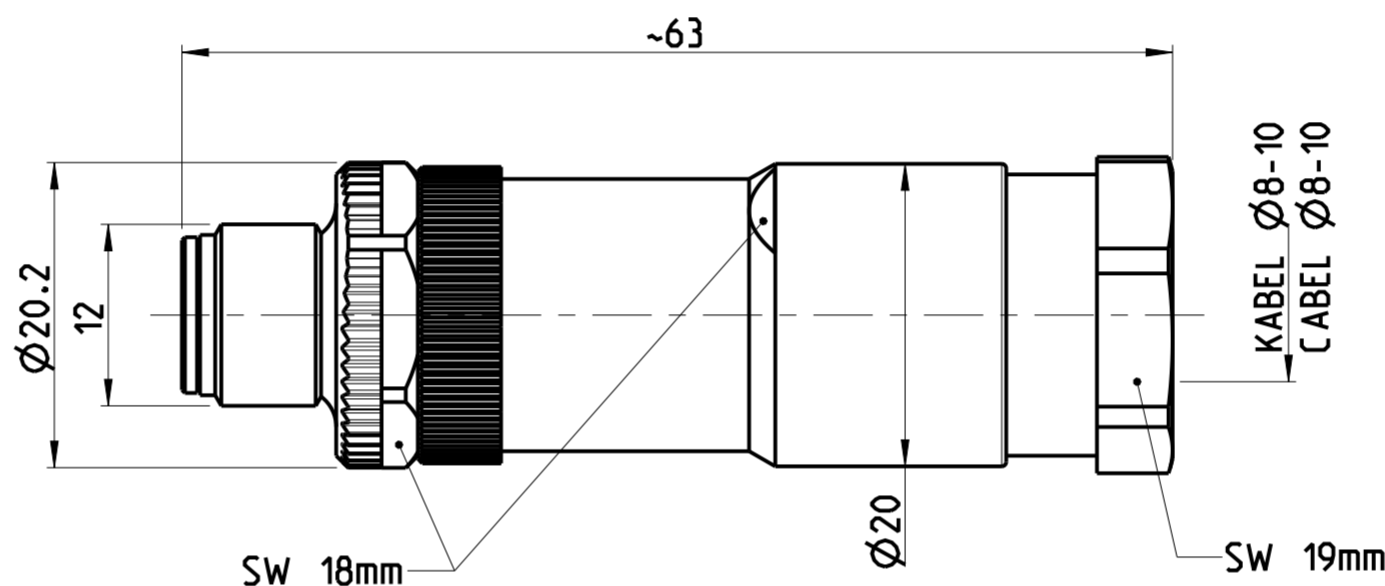
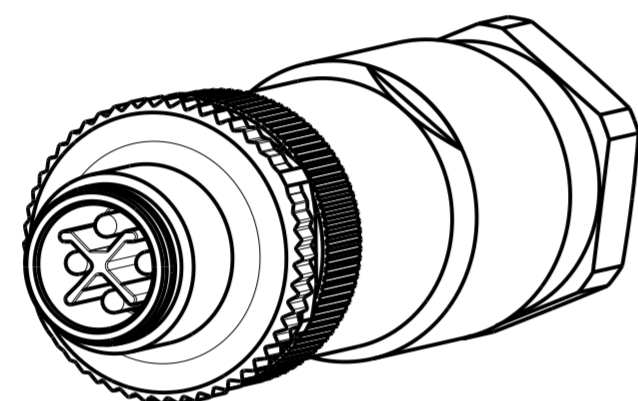


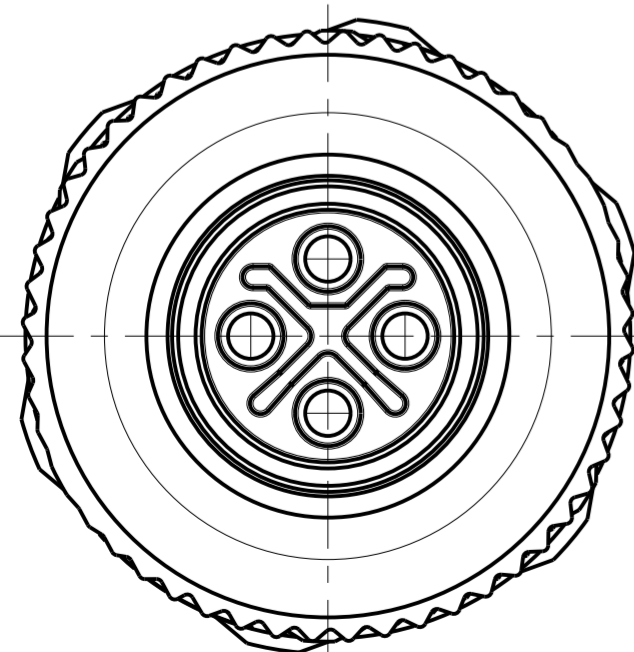
P		LTR	REVISIONS ÄNDERUNGEN DESCRIPTION BESCHREIBUNG	DATE	DWN	APVD
	A1		NEW DRAWING	24 JUN2014	YR	CS

- 1 MATERIAL: ITEM NO. 1: HOUSING - PA  
 ITEM NO. 2: CONTACT BODY - PA  
 ITEM NO. 3: CONTACT - CuZn (brass)  
 CONTACT FINISH - Au (gold)
- 2 ALL DIMENSIONS ARE FOR NOMINAL REFERENCE ONLY UNLESS OTHERWISE STATED
- 3 MEASUREMENT REFERENCE ONLY
- 4 PACKAGING: 1 PIECE IN A BAG



PIN ARRANGEMENT  
S-CODING (SCALE 4:1)

0-2120951-1



TECHNICAL DATA		0-2120951-1
RATED VOLTAGE	630V	
RATED IMPULSE VOLTAGE	6000V	
POLLUTION DEGREE	3	
OVERVOLTAGE CATEGORY	III	
MATERIAL GROUP	III	
RATED CURRENT	12A	
VOLUME RESISTIVITY	≤ 3mΩ	
DEGREE OF PROTECTION	IP67	
UPPER TEMPERATURE	+85 °C	
LOWER TEMPERATURE	-40 °C	

8-10	16 / 1.50	⚠	4	0-2120951-1
CABLE FEED-THROUGH mm	WIRES AWG / mm <sup>2</sup>	MATERIAL	NUMBER OF POLES	TE-PART-NO.

DIESE ZEICHNUNG IST EIN KONTROLLIERTES DOKUMENT. BEMASSUNGEN UND TOLERANZEN GEMAESS GPS (ISO STANDARDS).

THIS DRAWING IS A CONTROLLED DOCUMENT. DIMENSIONING AND TOLERANCING PER GPS (ISO STANDARDS).

DIMENSIONS: MASSE/WEITEN: [mm]	TOLERANCES UNLESS OTHERWISE SPECIFIED: ALLGEMEINTOLERANZEN	DWN YASHKUMAR 24 JUN2014
		CHK M.STRELOW 24 JUN2014
		APVD C.SCHREITLINGER 24 JUN2014
		NAME
		PRODUCT SPEC
		APPLICATION SPEC
		VERARBEITUNGSSPEZ.
MATERIAL	FINISH/OBERFLAECHE/FARBE	WEIGHT GEWICHT
-	-	-
-	-	-

Customer Drawing

<b>STE</b> TE Connectivity		NAME	
		M12 MALE CONNECTOR, STRAIGHT, FIELD INSTALLABLE, POWER, S-CODED	
SIZE	CAGE CODE	DRAWING NO. ZEICHNUNGS-NR.	RESTRICTED TO NUR FÜR
A2	00779	0-2120951	-
SCALE MASSSTAB	SHEET BLATT	OF VON	REV
2:1	1	1	A1

SIZE ISO 14405 (E)