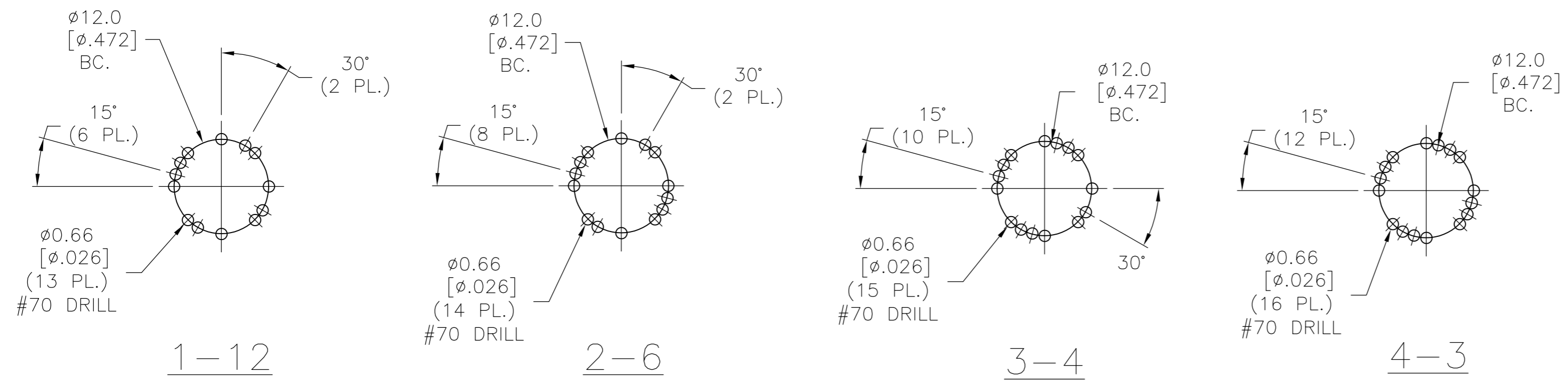
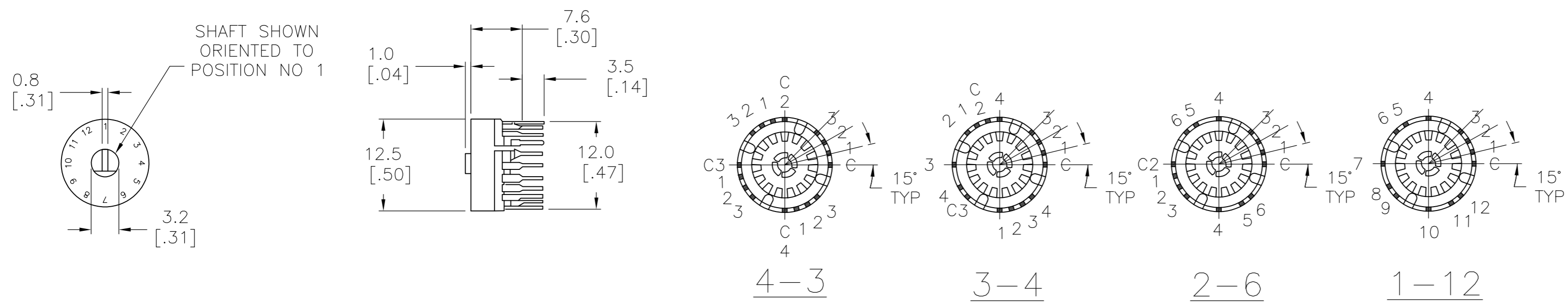


THIS DRAWING IS UNPUBLISHED. RELEASED FOR PUBLICATION
 © COPYRIGHT - By - ALL RIGHTS RESERVED.

LOC		DIST		REVISIONS			
P	LTR	DESCRIPTION		DATE	DWN	APVD	
AD	0	A2	REVISED PER ECO-11-004917		11MAR11	RK	HMR



- NOTES:
1. TERMINAL NUMBERS ARE FOR REFERENCE ONLY AND DO NOT APPEAR ON SWITCHES.
 2. ALL MATERIALS AND FINISHES SHALL COMPLY WITH EU DIRECTIVE 2002/95/EC OF 27JAN2003 (ROHS).

SPECIFICATIONS	
RATING	.4VA MAX. @ 20VDC, OR PEAK AC
TIMING	BREAK BEFORE MAKE
INITIAL CONTACT RESISTANCE	30 MILLIOHMS MAX
INSULATION RESISTANCE	10,000 MEGOHMS MIN
DIELECTRIC WITHSTANDING VOLTAGE	1,000 VRMS AT SEA LEVEL
DURABILITY	10,000 CYCLES @ .4VA RESISTIVE
	30,000 CYCLES @ .1µA 12VDC RESISTIVE
OPERATING FORCE	14 INCH OUNCES
OPERATING TEMPERATURE	-20°C TO +70°C
STORAGE TEMPERATURE	-20°C TO +70°C

MATERIALS		
COMPONENT NAME	BASE MATERIAL	FINISH
BASE	EPOXY	
FIXED CONTACT	BRASS	GOLD OVER NICKEL
MOVEABLE CONTACT	COPPER ALLOY	GOLD OVER NICKEL
TERMINALS	BRASS	TIN OVER NICKEL

POSITIONS	POLES	ALCO P/N	P/N
3 FIXED.	4	MRJB304	1825536-4
4 FIXED.	3	MRJB404	1825536-3
6 FIXED.	2	MRJB604	1825536-2
12 CONTINUOUS ROTATION.	1	MRJB1204	1825536-1

THIS DRAWING IS A CONTROLLED DOCUMENT.

DWN	100CT79	 TE Connectivity	NAME ROTARY SWITCH 12 POSITION-30DEG DETENT.
CHK	100CT79		
APVD	-		
PRODUCT SPEC	-		
MATERIAL	SEE SPECIFICATIONS	WEIGHT	-
FINISH	SEE SPECIFICATIONS	SCALE	2:1
CUSTOMER DRAWING		SHEET	1 OF 1

SIZE: A2 CAGE CODE: 00779 DRAWING NO: 1825536 RESTRICTED TO: -