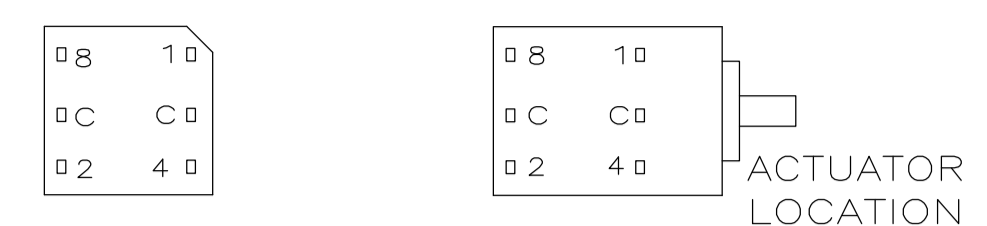


REVISIONS				
P	LTR	DESCRIPTION	DATE	APPV
A4	REVISED PER	ECO-17-001765	05MAY2017	SK AS

TERMINAL IDENTIFICATION FOR DR SERIES ONLY
(VIEWED FROM BOTTOM OF SWITCH)



10-POSITION, BCD SEE NOTE 2

POS	0	1	2	3	4	5	6	7	8	9
C	X	X	X	X	X	X	X	X	X	X
1		X		X		X		X		X
2			X	X			X	X		
4					X	X	X	X		
8									X	X

16-POSITION, HEXADECIMAL SEE NOTE 3

POS	0	1	2	3	4	5	6	7	8	9	A	B	C	D	E	F
C	X	X	X	X	X	X	X	X	X	X	X	X	X	X	X	X
1		X		X		X		X		X		X		X		X
2			X	X			X	X			X	X			X	X
4					X	X	X	X				X	X	X	X	X
8									X	X	X	X	X	X	X	X

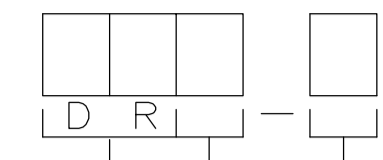
10 POSITION, BCD COMPLEMENT SEE NOTE 4

POS	0	1	2	3	4	5	6	7	8	9
C̄	X	X	X	X	X	X	X	X	X	X
1̄	X		X		X		X		X	
2̄	X	X			X	X			X	X
4̄	X	X	X	X					X	X
8̄	X	X	X	X	X	X	X	X		

16-POSITION, HEXADECIMAL COMPLEMENT SEE NOTE 5

POS	0	1	2	3	4	5	6	7	8	9	A	B	C	D	E	F
C̄	X	X	X	X	X	X	X	X	X	X	X	X	X	X	X	X
1̄	X		X		X		X		X		X		X		X	
2̄	X	X			X	X			X	X		X	X			
4̄	X	X	X	X					X	X	X	X				
8̄	X	X	X	X	X	X	X	X								

HOW TO ORDER



SERIES _____
 ROTARY DIPS (BLACK CASE)
 ACTUATOR STYLE _____
 M= MINI PLASTIC SHAFT
 W= WHEEL
 S= METAL SHAFT
 CIRCUIT TYPES _____
 10= BC DECIMAL
 10C= BCD COMPLEMENT
 16= HEXADECIMAL
 16C= HEXADECIMAL COMPLEMENT

SPECIFICATIONS:

MATERIAL:

FRAME & CASE: PPS UL94V-0, BLACK
 ROTOR, PPS UL94V-0, COLOR SEE P/N TABLE
 FIXED CONTACT TERMINAL: COPPER ALLOY, GOLD FLASH OVER NICKEL PLATE
 MOVING CONTACT: COPPER ALLOY, GOLD FLASH OVER NICKEL PLATE
 BALL SUPPORT PLATE: COPPER ALLOY
 BALL: STAINLESS STEEL
 DETENT SPRING: STAINLESS STEEL
 BUSHING (DRS): ZINC DIE CAST
 SHAFT (DRS): COPPER ALLOY-NICKEL PLATE

ELECTRICAL:

CONTACT RATING: 0.4 VA @ 20V DC OR PEAK AC
 INITIAL CONTACT RESISTANCE: 50 MILLIOHMS MAX.
 INSULATION RESISTANCE: 1,000 MEGOHMS @ 100V DC.
 DIELECTRIC STRENGTH: 300V AC
 LIFE EXPECTANCY: 10,000 ROTATIONS

MECHANICAL:

OPERATING FORCE: 13.88 OZF.IN. MAX

ENVIRONMENTAL:

OPERATING TEMPERATURE: -30 TO +85 DEGREES C
 STORAGE TEMPERATURE: -45 TO +100 DEGREES C
 RESISTANCE TO SOLDER HEAT-PER 109-202, COND B (THRU-HOLE)
 SOLDERABILITY- PER JIS C 0050 & JIS C 0053

NOTES:

- COMMON TERMINALS ARE CONNECTED INTERNALLY.
- RED ROTOR WITH WHITE PRINTING ON TOP AND SIDE OF SWITCH. "S" STYLES HAVE NOT PRINTING ON TOP.
- BLACK ROTOR WITH WHITE PRINTING ON TOP AND SIDE OF SWITCH. "S" STYLES HAVE NO PRINTING ON TOP.
- ORANGE ROTOR WITH WHITE PRINTING ON TOP AND SIDE OF SWITCH EXCEPT FOR THE "W" STYLES, WHICH HAVE BLACK PRINTING ON TOP. "S" STYLES HAVE NO PRINTING ON TOP.
- WHITE ROTOR WITH WHITE PRINTING ON TOP AND SIDE OF SWITCH EXCEPT FOR THE "W" STYLES, WHICH HAVE BLACK PRINTING ON TOP. "S" STYLE HAVE NO PRINTING ON TOP.
- ALL MATERIALS AND FINISHES SHALL COMPLY WITH EU DIRECTIVE 2002/95/EC OF 27JAN2003 (ROHS)

LOCATE 'ALCO' TRADE NAME AND LOT NUMBER MARKING. LOT NUMBER TO BE MARKED AS FOLLOW:

4 F
 1ST DIGIT 2ND DIGIT
 YEAR 1194 MONTH 6

MARK WITH PERMANENT WHITE INK.

SEE SHEET 2 FOR DIMENSIONAL SPEC'S

	N/A	BLACK	DRS16C	5-1825033-6
	N/A	BLACK	DRS16	5-1825033-1
OBSOLETE	N/A	BLACK	DRS10C	4-1825033-6
	N/A	BLACK	DRS10	4-1825033-1
OBSOLETE	WHITE	BLACK	DRW16C	3-1825033-6
	BLACK	BLACK	DRW16	3-1825033-1
OBSOLETE	ORANGE	BLACK	DRW10C	2-1825033-6
	RED	BLACK	DRW10	2-1825033-1
OBSOLETE	WHITE	BLACK	DRM16C	1-1825033-6
	BLACK	BLACK	DRM16	1-1825033-1
OBSOLETE	ORANGE	BLACK	DRM10C	1825033-6
	RED	BLACK	DRM10	1825033-1
	ROTOR COLOR	CASE COLOR	ALCO P/N	PART NO.

THIS DRAWING IS A CONTROLLED DOCUMENT.

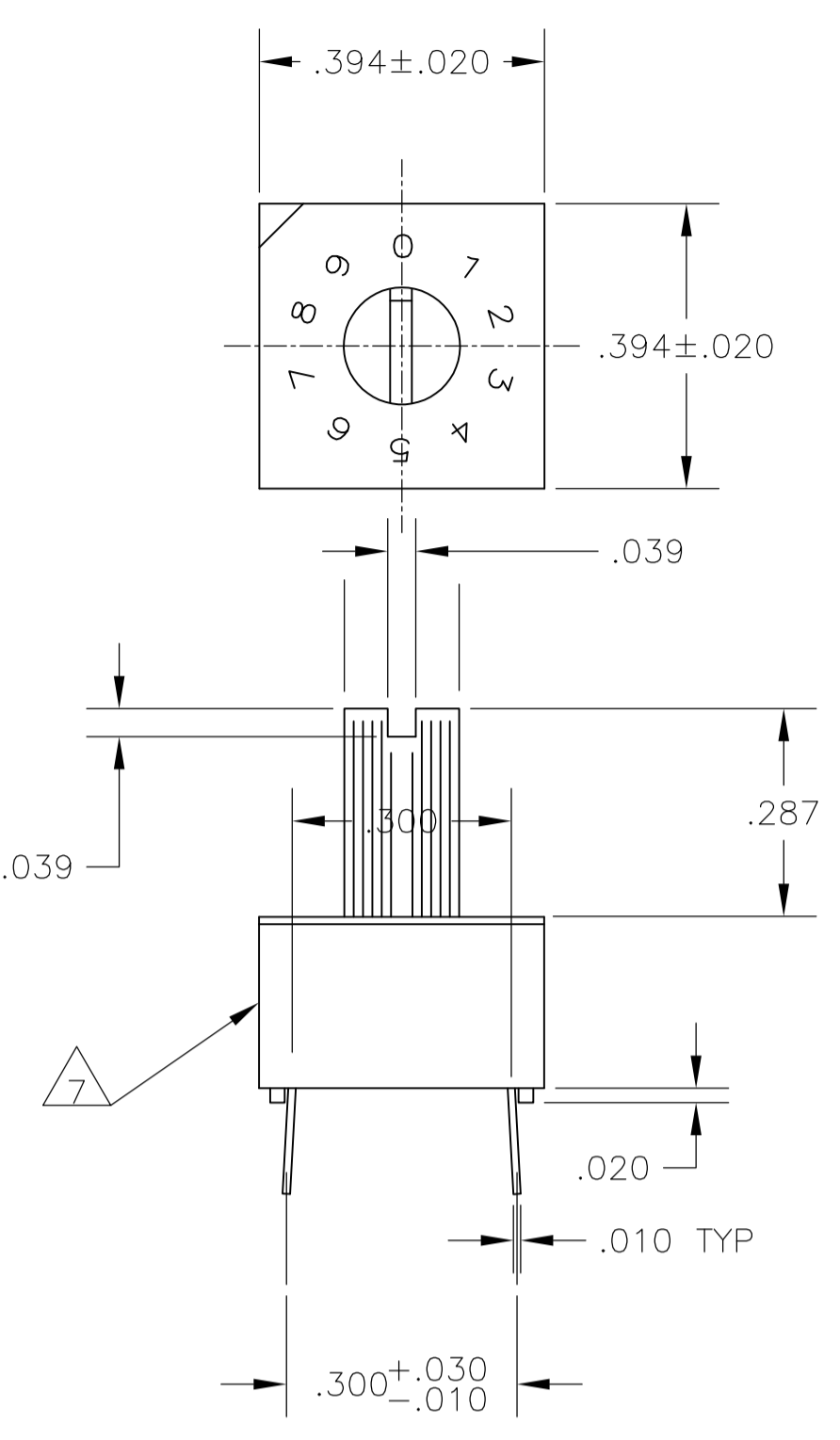
STE TE Connectivity

ROTARY DIP SWITCH

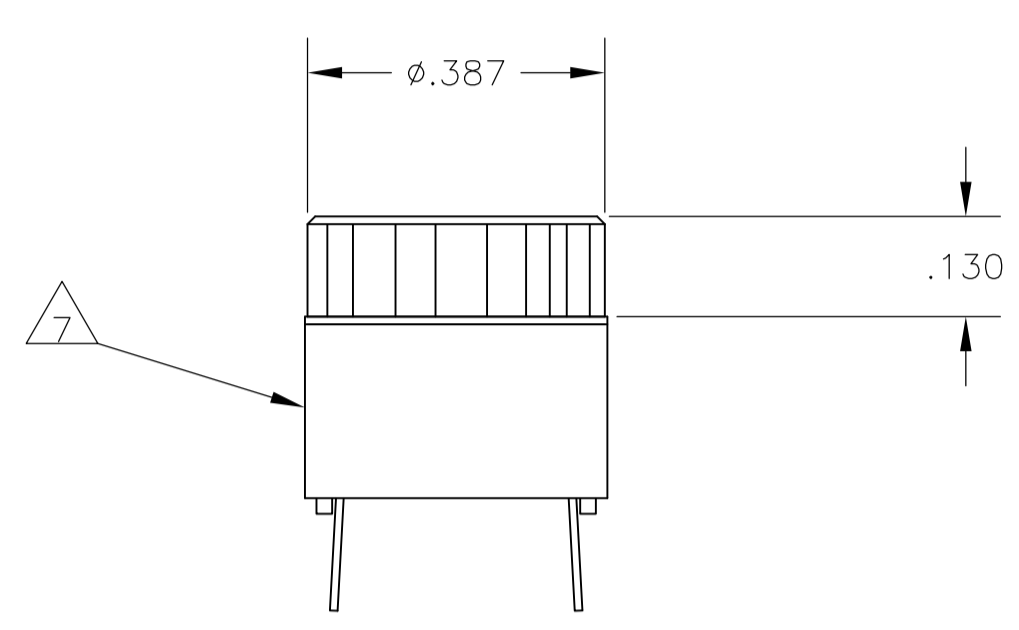
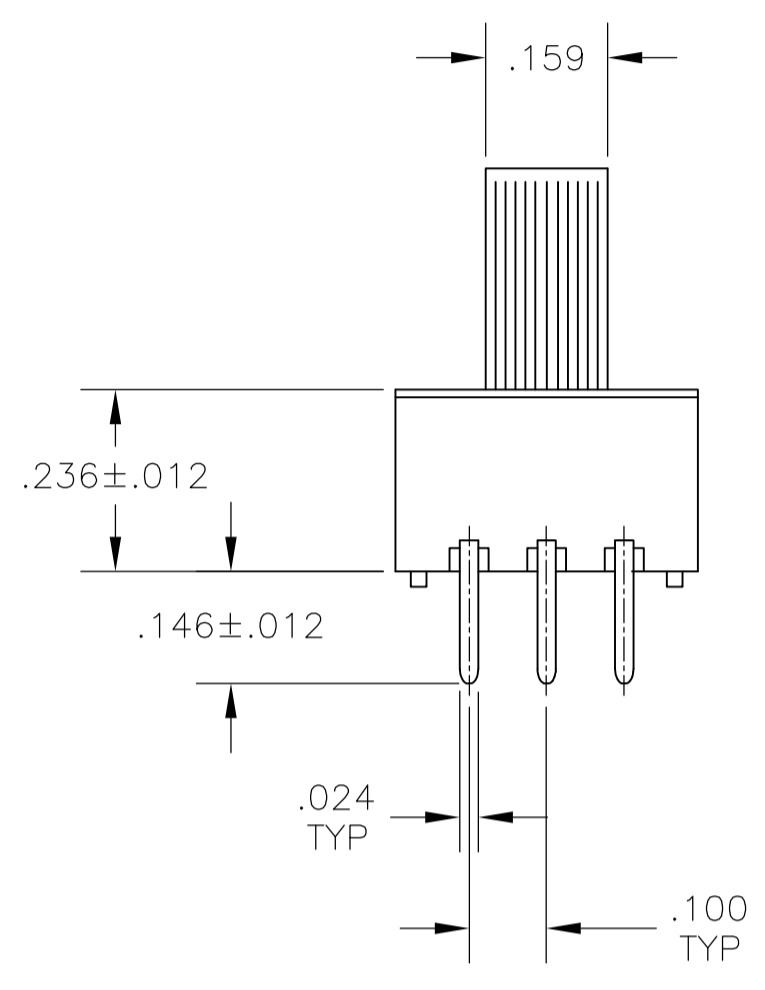
00779C=1825033

SCALE 1:1 SHEET 1 OF 2 REV A4

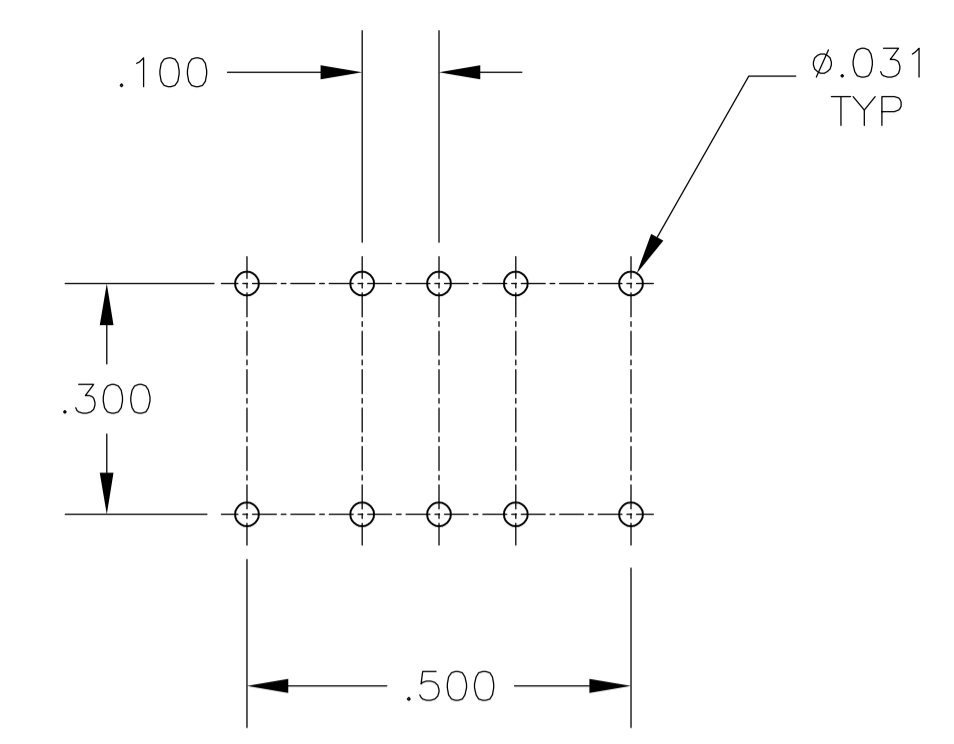
REVISIONS				
P	LTR	DESCRIPTION	DATE	OWN
-	-	SEE SHEET 1	-	-



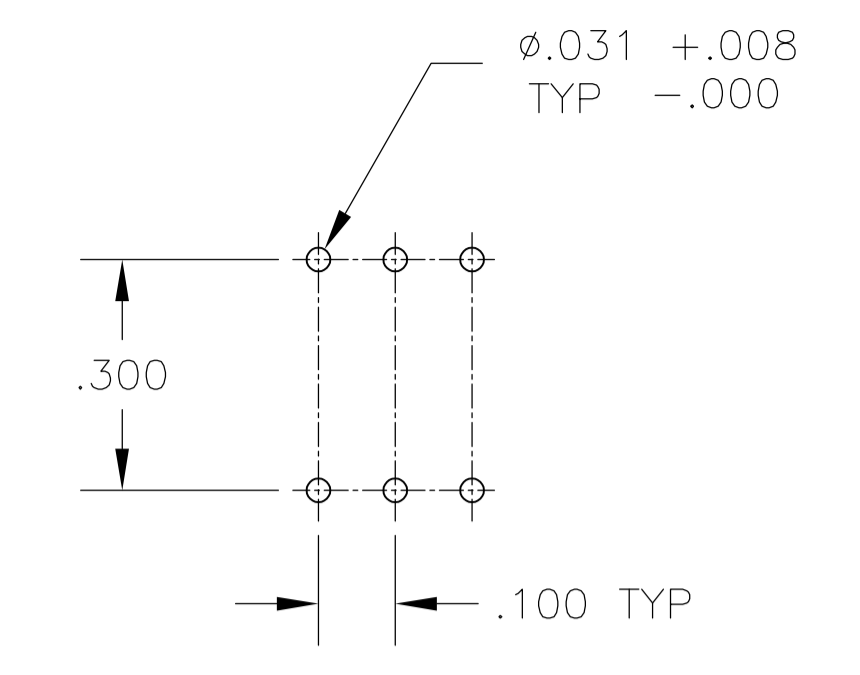
DRM
PC MOUNT



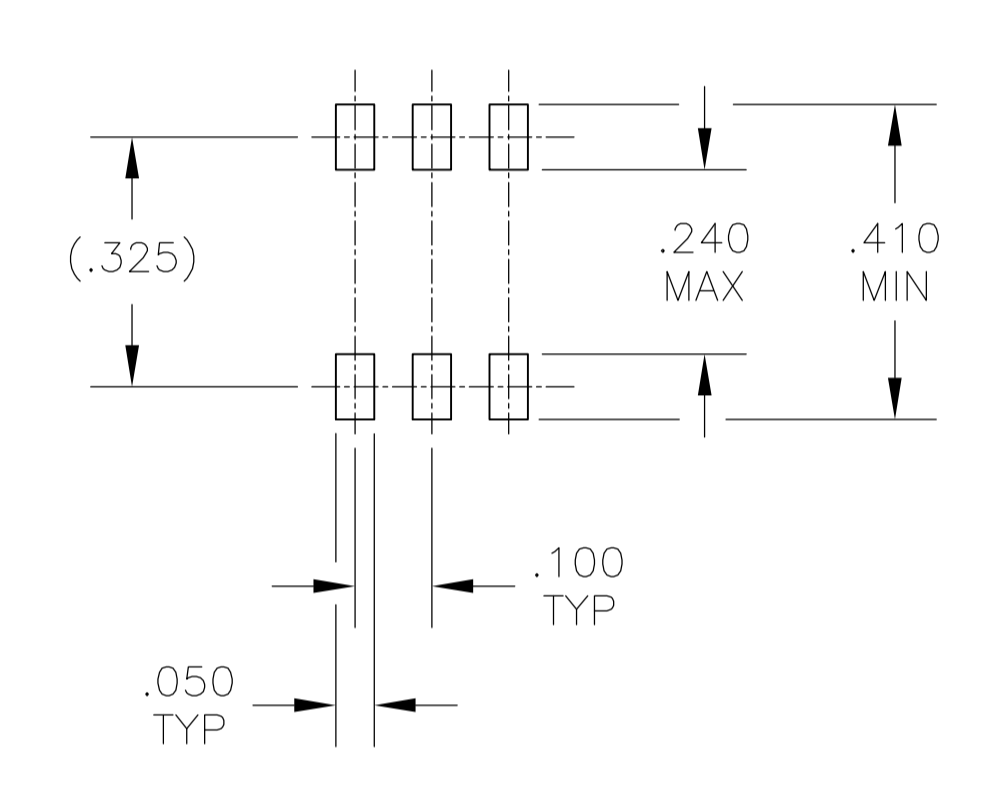
DRW
PC MOUNT



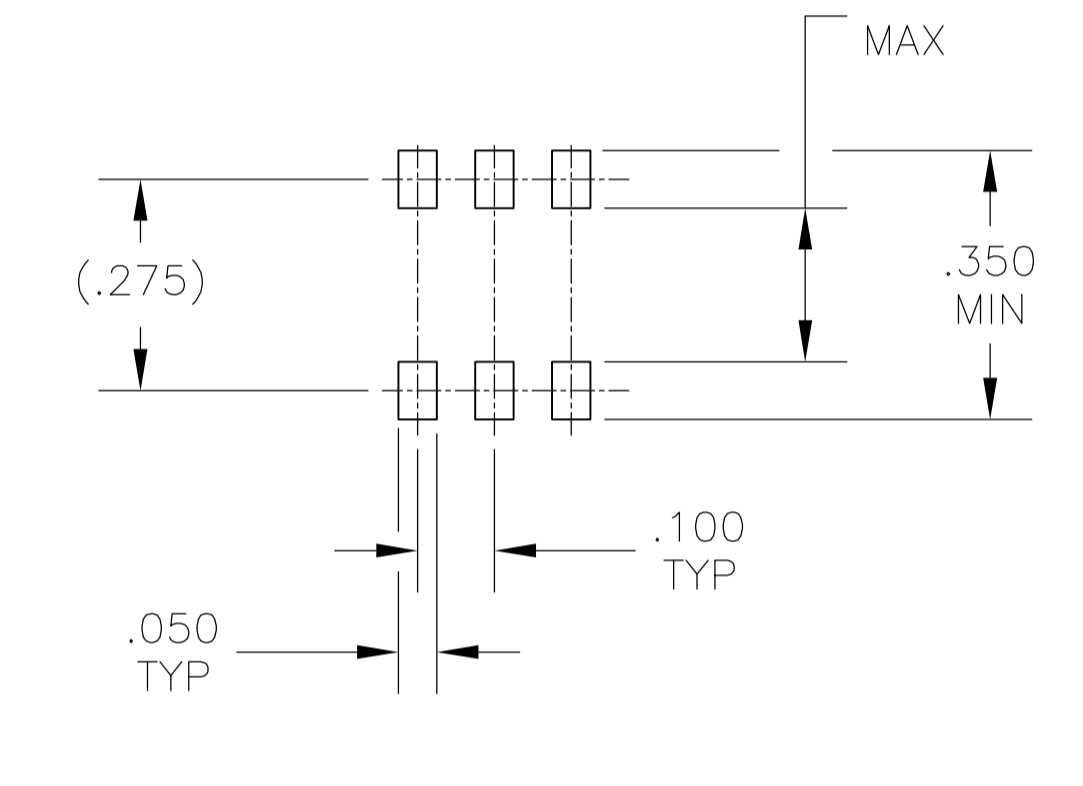
'S' STYLE VERTICAL



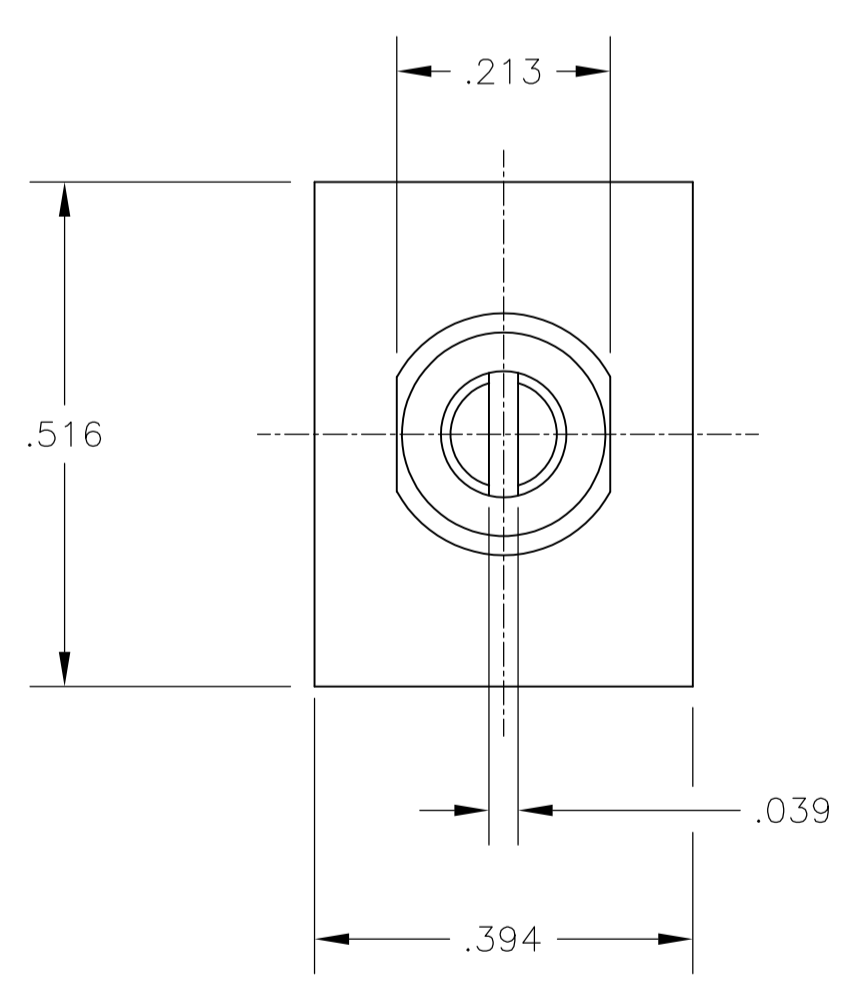
PC



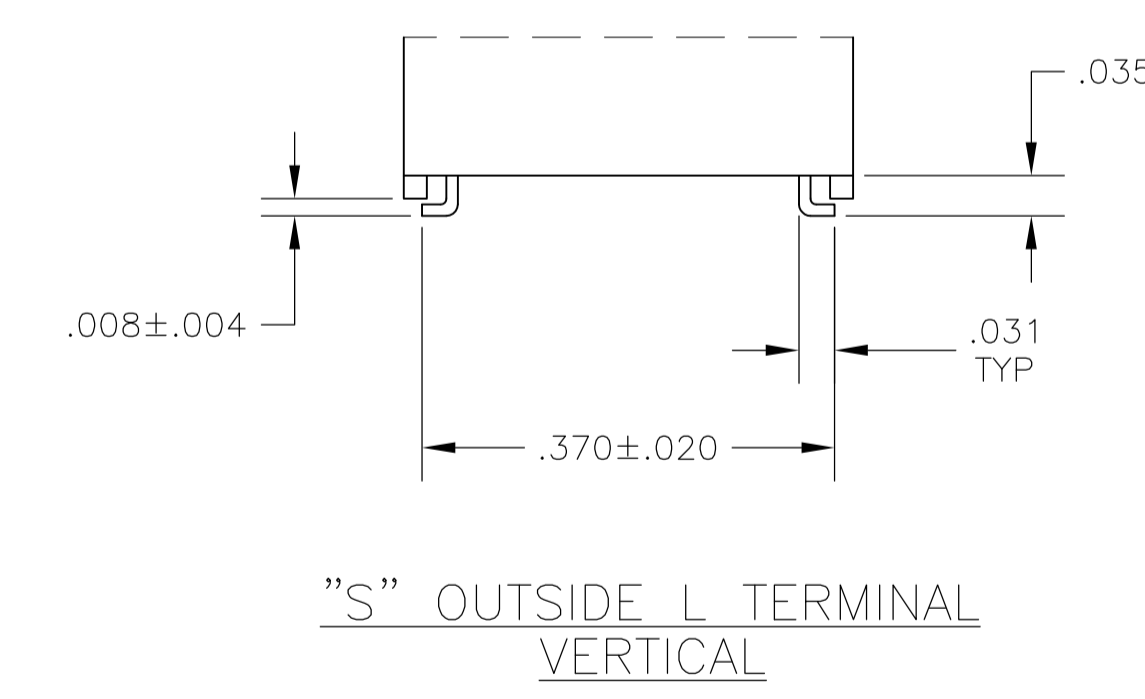
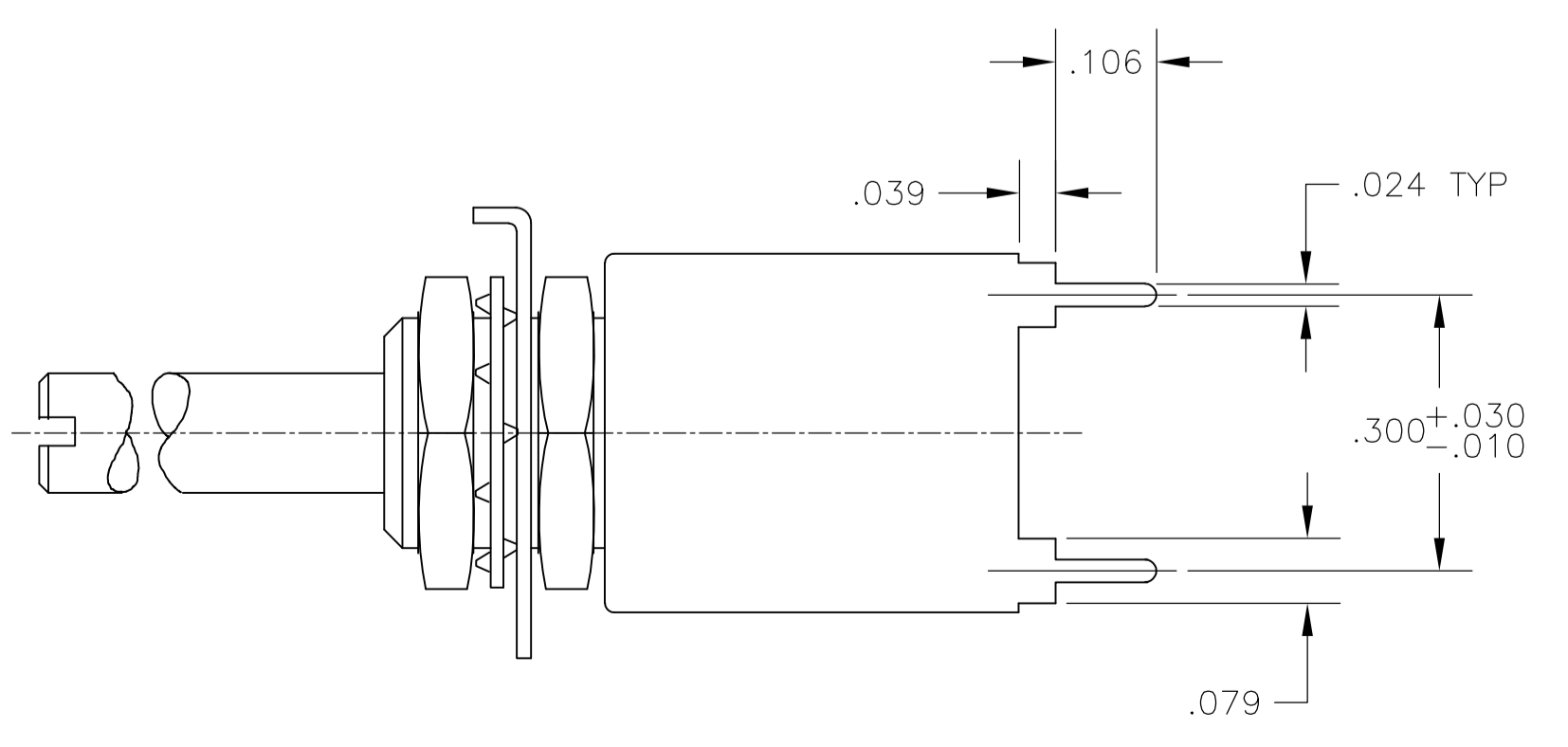
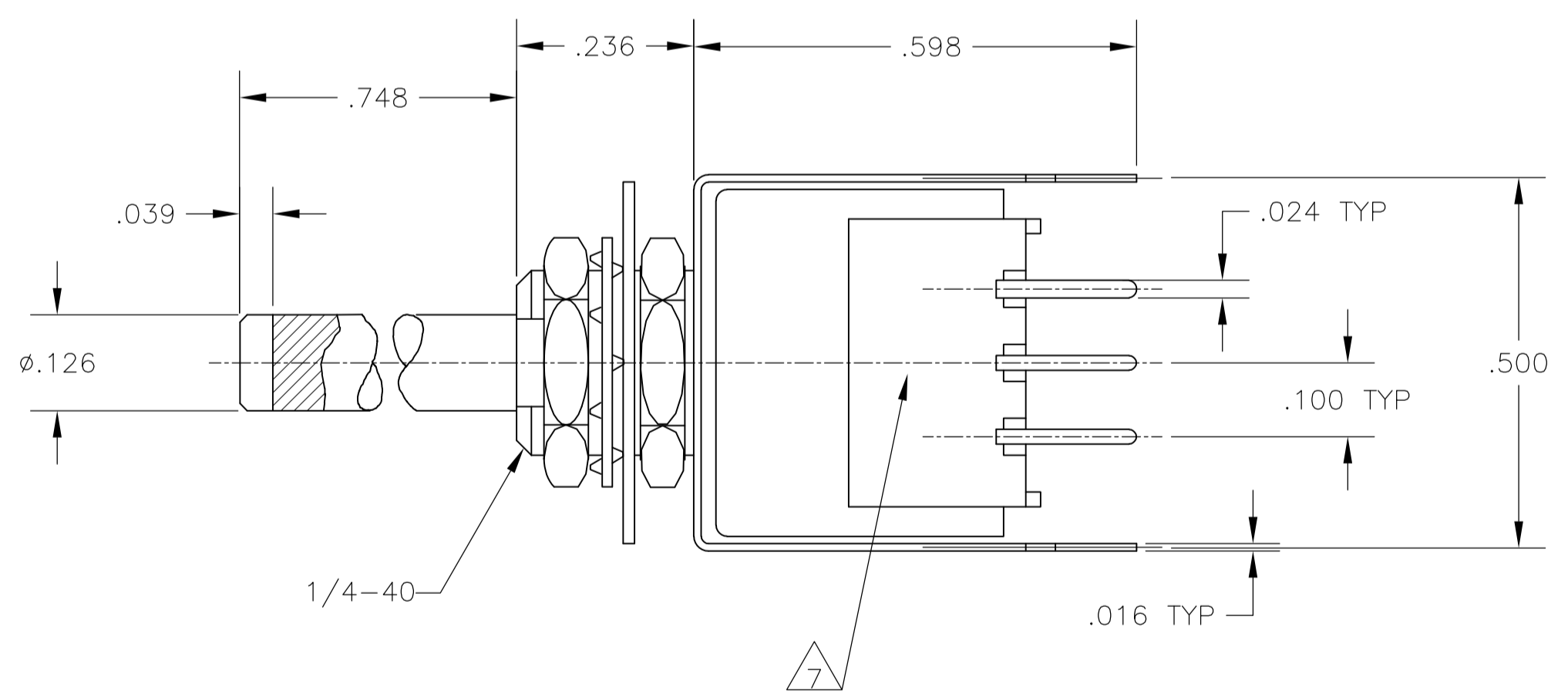
OUTSIDE "L"



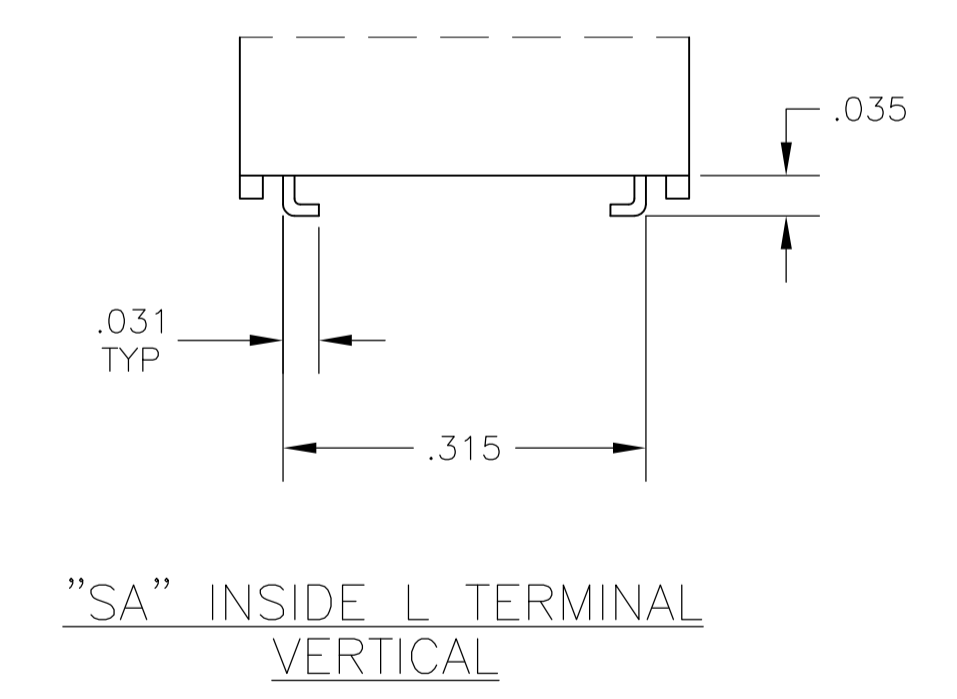
INSIDE "L"



DRS
"S" STYLE VERTICAL



"S" OUTSIDE L TERMINAL
VERTICAL



"SA" INSIDE L TERMINAL
VERTICAL

THIS DRAWING IS A CONTROLLED DOCUMENT.		DIN	20JUN05	 TE Connectivity
DIMENSIONS: INCHES		BSV	-	
TOLERANCES UNLESS OTHERWISE SPECIFIED:		CHK	-	NAME PRODUCT SPEC APPLICATION SPEC
0 PLC ± - 1 PLC ± - 2 PLC ± - 3 PLC ± .010 4 PLC ± - ANGLES ± 1°		MSS	-	
MATERIAL		APVD	-	SIZE CASE CODE DRAWING NO. WEIGHT CUSTOMER DRAWING
		NAME	-	RESTRICTED TO A1 00779 C=1825033 SCALE 4:1 SHEET 2 OF 2 REV A4