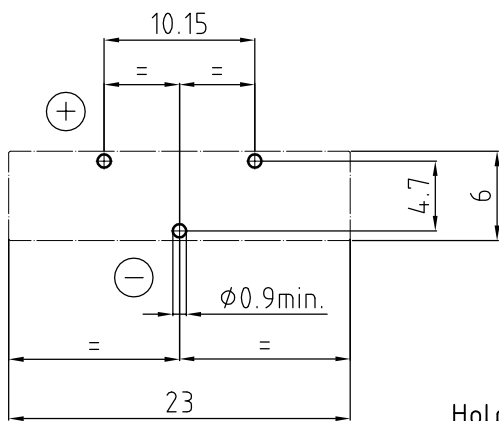


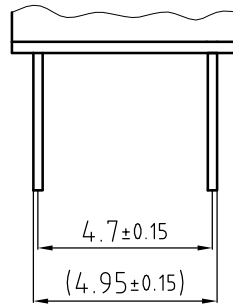
Front view from (-) pole side

Side view

Front view from (+) pole side



Layout top view



Detail M5:1

Holder material :
flame retardant Polyamide, UL flammability class 94V-0

Battery and Solder contacts:
spring stainless steel, throughout nickel plated,
thickness min. 5µm

Specifications are subject to change without notice for further improvement

All framed values will be used for dimension checking !

- Samples can deviate in the execution from the serie.

- Dimensions and tolerances can be specified only after the testing of the devices for the mass production definitely

Rev. ②	28.10.99	SRI	Rev. ⑤	29.06.06	SRI		Customer's Approval			
Rev. ③	22.03.06	SRI	Rev. ⑥	11.06.08	SRI		Date			
Rev. ④	31.05.06	SRI	Rev. ⑦	25.03.11	Wu Ping		Signature			
Titel:						Scale	Drawn	17.08.99	SRI	
VBH2032-1							2:1	Checked	07.04.11	MDi
								Approved	07.04.11	MDi