

| REVISIONS | | | |
|-----------|--------------------------------|-----------|----------|
| LTR | DESCRIPTION | DATE | APPROVED |
| K1 | REVISED PER ECO-11-005139 | 29MAR2011 | HMR |
| L | ADDED PAGE 3 PER ECO-17-014556 | 04OCT2017 | I.M. |

DK-621-14XX-XX CONNECTORS ARE NOT AVAILABLE FOR NEW ORDERS. ORDER EQUIVALENT DK-621-04XX-XX CONNECTOR.


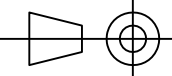
| PART NUMBER | CONNECTOR | CONTACT | CONNECTOR INTERFACE | COLOR CODE |
|-----------------|-----------|---------|---------------------|------------|
| DK-621-0433 | PLUG | _____ | A | RED |
| DK-621-0433-1P | PLUG | PIN | A | RED |
| DK-621-0433-1UP | PLUG | PIN | A | RED |
| DK-621-0433-1S | PLUG | SOCKET | A | RED |
| DK-621-0433-1US | PLUG | SOCKET | A | RED |
| DK-621-0434 | JACK | _____ | A | RED |
| DK-621-0434-1P | JACK | PIN | A | RED |
| DK-621-0434-1UP | JACK | PIN | A | RED |
| DK-621-0434-1S | JACK | SOCKET | A | RED |
| DK-621-0434-1US | JACK | SOCKET | A | RED |
| DK-621-0435 | PLUG | _____ | B | WHITE |
| DK-621-0435-2P | PLUG | PIN | B | WHITE |
| DK-621-0435-2UP | PLUG | PIN | B | WHITE |
| DK-621-0435-2S | PLUG | SOCKET | B | WHITE |
| DK-621-0435-2US | PLUG | SOCKET | B | WHITE |
| DK-621-0436 | JACK | _____ | B | WHITE |
| DK-621-0436-2P | JACK | PIN | B | WHITE |
| DK-621-0436-2UP | JACK | PIN | B | WHITE |
| DK-621-0436-2S | JACK | SOCKET | B | WHITE |
| DK-621-0436-2US | JACK | SOCKET | B | WHITE |
| DK-621-0437 | PLUG | _____ | C | GREEN |
| DK-621-0437-3P | PLUG | PIN | C | GREEN |
| DK-621-0437-3UP | PLUG | PIN | C | GREEN |
| DK-621-0437-3S | PLUG | SOCKET | C | GREEN |
| DK-621-0437-3US | PLUG | SOCKET | C | GREEN |
| DK-621-0438 | JACK | _____ | C | GREEN |
| DK-621-0438-3P | JACK | PIN | C | GREEN |
| DK-621-0438-3UP | JACK | PIN | C | GREEN |
| DK-621-0438-3S | JACK | SOCKET | C | GREEN |
| DK-621-0438-3US | JACK | SOCKET | C | GREEN |
| DK-621-0439 | PLUG | _____ | D | N/A |
| DK-621-0439-4P | PLUG | PIN | D | N/A |
| DK-621-0439-4UP | PLUG | PIN | D | N/A |
| DK-621-0439-4S | PLUG | SOCKET | D | N/A |
| DK-621-0439-4US | PLUG | SOCKET | D | N/A |
| DK-621-0440 | JACK | _____ | D | N/A |
| DK-621-0440-4P | JACK | PIN | D | N/A |
| DK-621-0440-4UP | JACK | PIN | D | N/A |
| DK-621-0440-4S | JACK | SOCKET | D | N/A |
| DK-621-0440-4US | JACK | SOCKET | D | N/A |

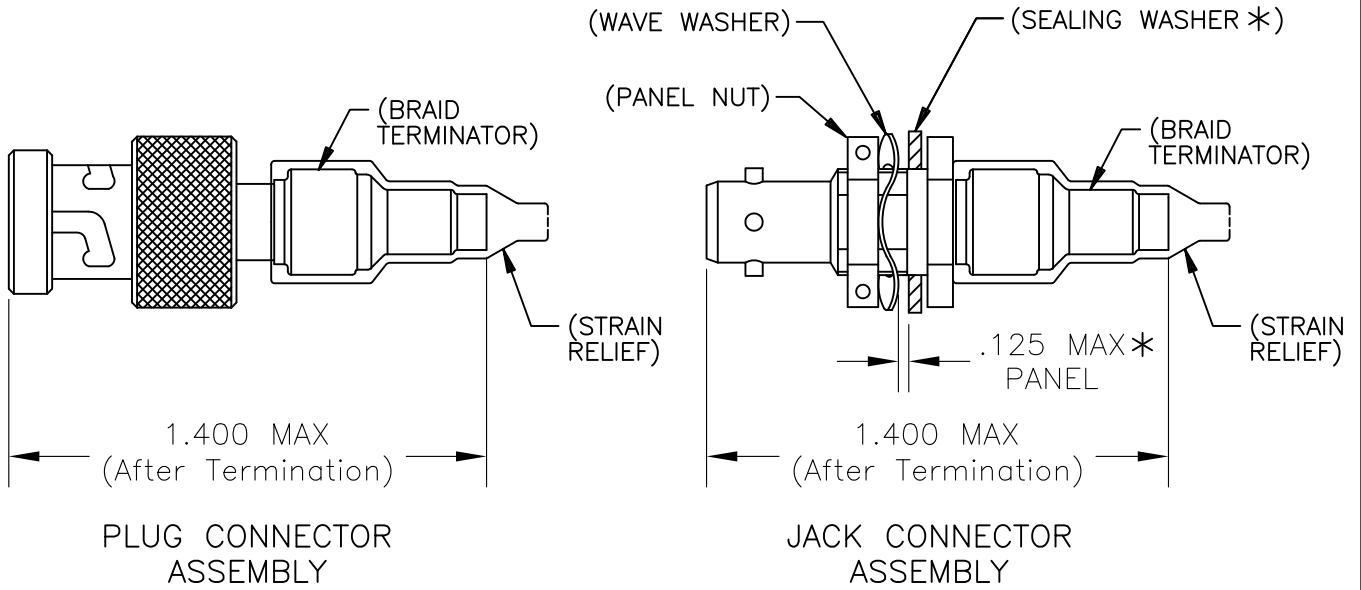
| PART NUMBER | CONNECTOR | CONTACT | CONNECTOR INTERFACE | COLOR CODE |
|----------------|-----------|---------|---------------------|------------|
| DK-621-1433 | PLUG | _____ | A | RED |
| DK-621-1433-1P | PLUG | PIN | A | RED |
| DK-621-1433-1S | PLUG | SOCKET | A | RED |
| DK-621-1434 | JACK | _____ | A | RED |
| DK-621-1434-1P | JACK | PIN | A | RED |
| DK-621-1434-1S | JACK | SOCKET | A | RED |
| DK-621-1435 | PLUG | _____ | B | WHITE |
| DK-621-1435-2P | PLUG | PIN | B | WHITE |
| DK-621-1435-2S | PLUG | SOCKET | B | WHITE |
| DK-621-1436 | JACK | _____ | B | WHITE |
| DK-621-1436-2P | JACK | PIN | B | WHITE |
| DK-621-1436-2S | JACK | SOCKET | B | WHITE |
| DK-621-1437 | PLUG | _____ | C | GREEN |
| DK-621-1437-3P | PLUG | PIN | C | GREEN |
| DK-621-1437-3S | PLUG | SOCKET | C | GREEN |
| DK-621-1438 | JACK | _____ | C | GREEN |
| DK-621-1438-3P | JACK | PIN | C | GREEN |
| DK-621-1438-3S | JACK | SOCKET | C | GREEN |
| DK-621-1439 | PLUG | _____ | D | N/A |
| DK-621-1439-4P | PLUG | PIN | D | N/A |
| DK-621-1439-4S | PLUG | SOCKET | D | N/A |
| DK-621-1440 | JACK | _____ | D | N/A |
| DK-621-1440-4P | JACK | PIN | D | N/A |
| DK-621-1440-4S | JACK | SOCKET | D | N/A |

IF THIS DOCUMENT IS PRINTED IT BECOMES UNCONTROLLED. CHECK FOR THE LATEST REVISION.

© 2009-2017 TE Connectivity Corporation. All Rights Reserved.

Raychem Databus CUSTOMER DRAWING

| | | |
|--|--|---|
| UNLESS OTHERWISE SPECIFIED DIMENSIONS ARE IN INCHES AND METRIC DIMENSIONS ARE IN BRACKETS. DECIMALS .XXX ± --- [---mm] .XX ± --- [---mm] ANGLES .X ± --- WEIGHT ---lbs [---g] | DRAWN J.B.K. 1992Mar03 CHECKED G.Rositano 2009Mar12 APPROVED Z.TEMAN 1992Mar03 |  TE Connectivity TITLE KITS FOR DK-621-0433/0440 TRIAXIAL CONNECTORS SIZE A CODE IDENT. NO. 06090 DWG. NO. DK-621-X433/X440-XX DO NOT SCALE THIS DRAWING SHEET 1 OF 3 |
| | CAD NAME DK621-X433-X440_CD_Ka | |
| | THIRD ANGLE PROJECTION  | |
| | | |



NOTES:

1.0 REFER TO THE FOLLOWING TE CONNECTIVITY CUSTOMER DRAWINGS (CD) FOR INDIVIDUAL COMPONENT DETAILS:

- | | |
|-----------------|--------------------------------------|
| D-621-0433/0440 | CONNECTOR, TRIAXIAL, BAYONET COUPLED |
| D-602-0126 | CONTACT, PIN, TWISTED PAIR |
| D-602-0127 | CONTACT, SOCKET, TWISTED PAIR |
| (D-600-0030) | BRAID TERMINATOR |
| (D-600-0019) | STRAIN RELIEF |
| (D-600-0053) | SEALING WASHER (JACK ONLY) |
- * SEALING WASHER MAY BE INSTALLED IF THE PANEL THICKNESS IS LESS THAN 0.093 INCH.

2.0 CONNECTORS ARE QUALIFIED TO RAYCHEM SPECIFICATION D-6025.

3.0 TERMINATION PROCEDURE: RAYCHEM ES 61162.

IF THIS DOCUMENT IS PRINTED IT BECOMES UNCONTROLLED. CHECK FOR THE LATEST REVISION.

| | | | | | |
|----------------------------------|-----------|------|---------------------------|---------------------|--------------|
| Raychem Databus CUSTOMER DRAWING | | | | | |
| DRAWN | DATE | SIZE | CAGE CODE | DWG. NO. | REV |
| J.B.K. | 91Apr2003 | A | 06090 | DK-621-X433/X440-XX | L |
| CAD FILE | | | DO NOT SCALE THIS DRAWING | | SHEET 2 OF 3 |
| DK621-X433-X440_CD_Kb | | | | | |

Bayonet Style D-621 Connector Kit Part Numbering

DK-621 - 04 33 - 1 U P

CONTACT

P: Pin
S: Socket
Omit if contact is not required

UNMARKED STRAIN RELIEF TUBING

Omit if Air Force part number marking is required
Omit if contact is not required

KEYING POLARIZATION

1: A Keying
2: B Keying
3: C Keying
4: D Keying
Omit if contact is not required

-: Part number separator
Omit if contact is not required

BASIC CONNECTOR CONFIGURATION


33: Plug, A Keying
34: Jack, A Keying
35: Plug, B Keying
36: Jack, B Keying
37: Plug, C Keying
38: Jack, C Keying
39: Plug, D Keying
40: Jack, D Keying

SERIES

-: Part number separator

D-621 CONNECTOR, KITTED WITH ACCESSORIES

IF THIS DOCUMENT IS PRINTED IT BECOMES UNCONTROLLED. CHECK FOR THE LATEST REVISION.

| | | | | | | |
|---|-------------------|-----------|---------------------------|---------------------------------|--|--|
| Raychem Databus CUSTOMER DRAWING | | | | |  TE Connectivity | |
| DRAWN G.M.R. | DATE 03Oct2017 | SIZE A | CAGE CODE 06090 | DWG. NO. DK-621-X433/X440-XX | REV L | |
| CAD FILE DK621-X433-X440_CD_Kb | | | DO NOT SCALE THIS DRAWING | | SHEET 3 OF 3 | |