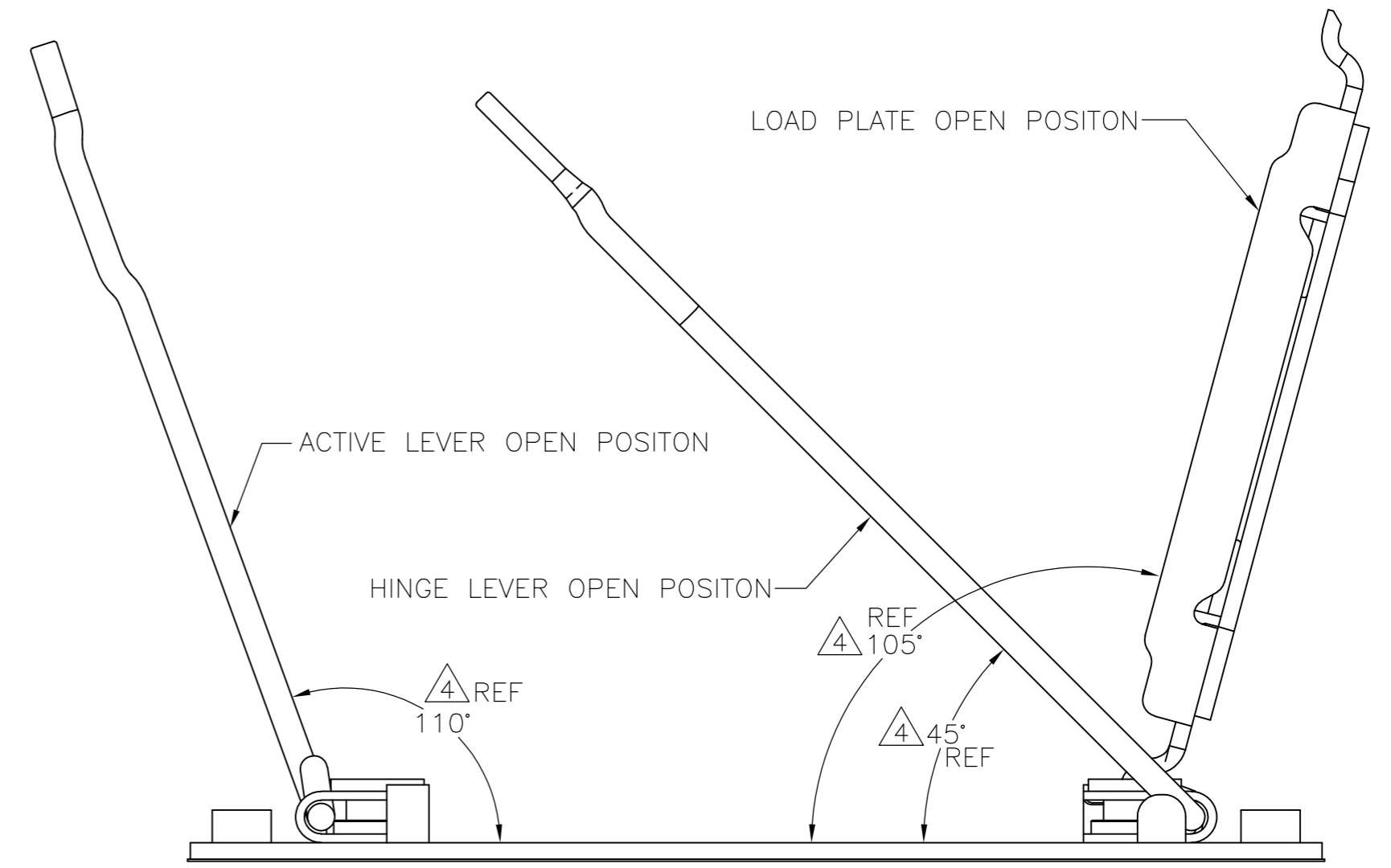
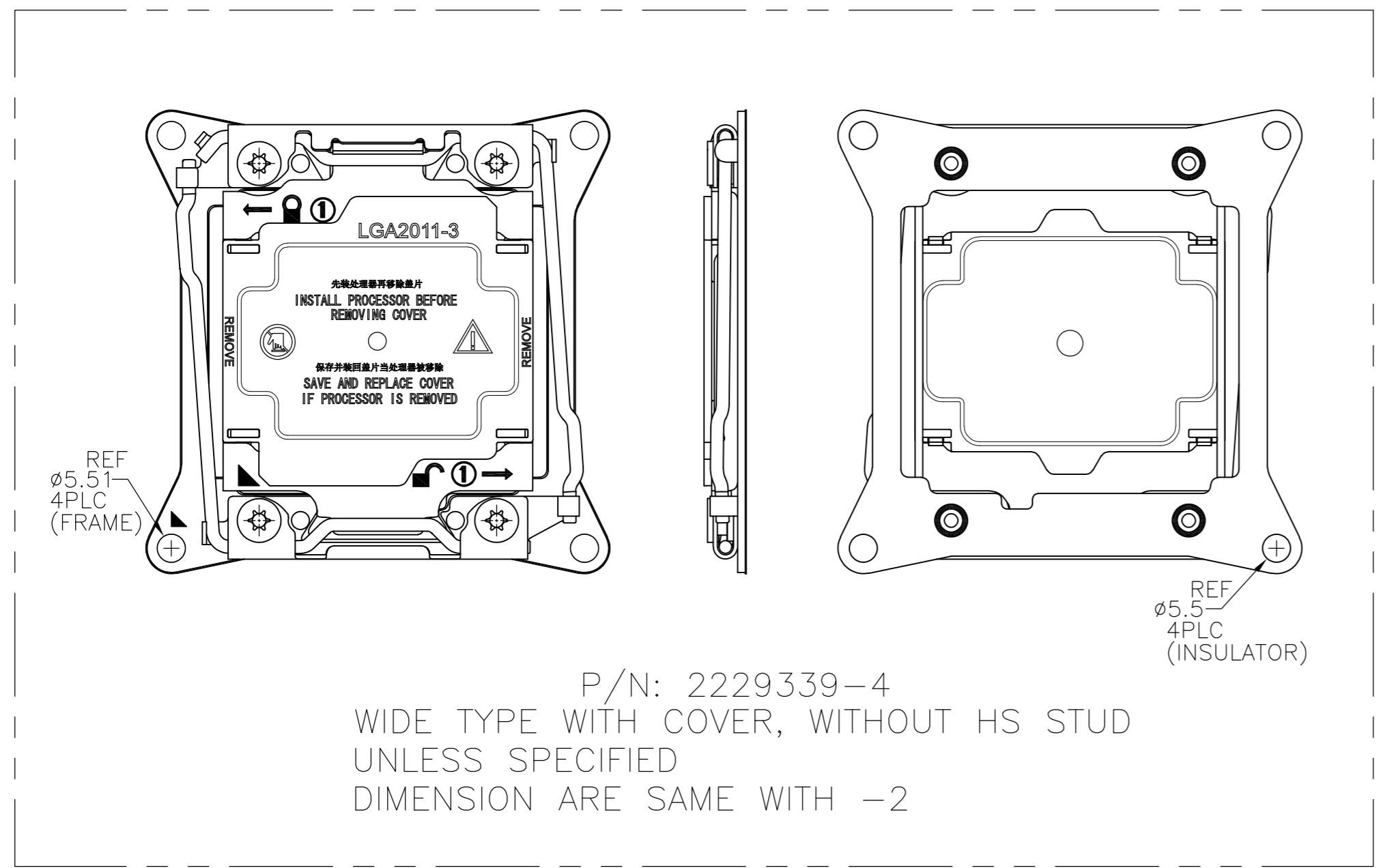
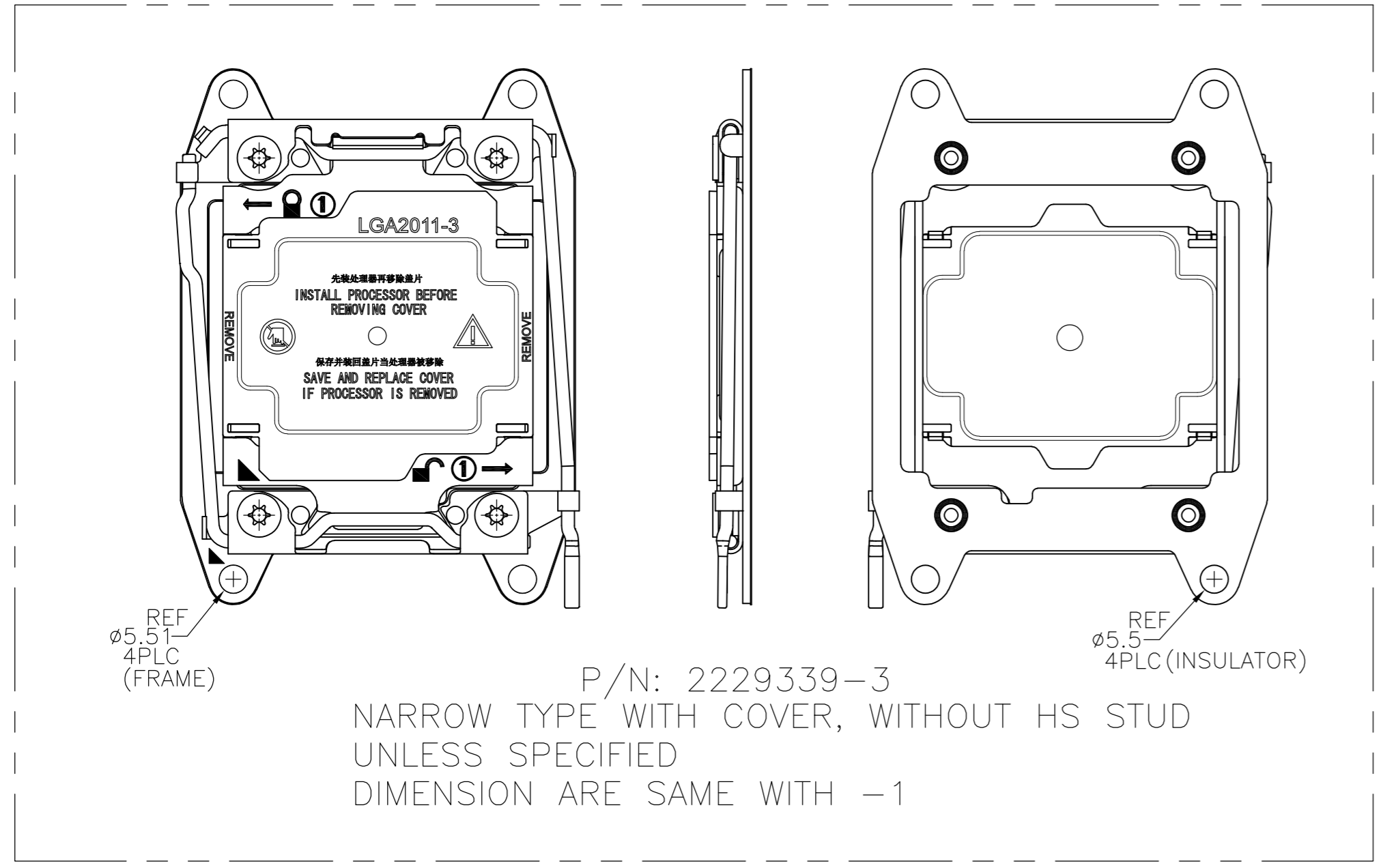


THIS DRAWING IS UNPUBLISHED. RELEASED FOR PUBLICATION APR , 2011.
 © COPYRIGHT 2011 By Tyco Electronics Japan G.K. ALL RIGHTS RESERVED.

LOC		DIST		REVISIONS			
J		-		我	更		
P	LTR	DESCRIPTION	DATE	DWN	APVD		
-	-	SEE SHEET 1	-	-	-		



LEVER AND LOAD PLATE OPEN ANGLES
 THE ACTIVE LEVER MUST OPEN TO A SUFFICIENT
 ANGLE TO ALLOW THE LOAD PLATE TO OPEN FREELY
 (2229339-1,-2,-3,-4,1-2229339-1,1- -2 AS SHOWN)

THIS DRAWING IS A CONTROLLED DOCUMENT.		DWN	-	TE Connectivity		NAME		ILM ASSY	
DIMENSIONS: 单位: 毫米 mm		CHK	-			LGA2011-3		SIZE	
TOLERANCES UNLESS OTHERWISE SPECIFIED: 一般公差		APVD	-	PRODUCT SPEC 製品规格		CAGE CODE		00779	
0-PLC ± ± 0.3		APPLICATION SPEC 取付通用规格		DRAWING NO 番号		SCALE		NTS	
1-PLC ± ± 0.3		WEIGHT		C=2229339		SHEET		3 of 3	
2-PLC ± ± 0.3		CUSTOMER DRAWING		REV		RESTRICTED TO		A	
3-PLC ± ± 0.3									
4-PLC ± ± 0.3									
ANGLES ± ± 0.3									
FINISH 仕上									