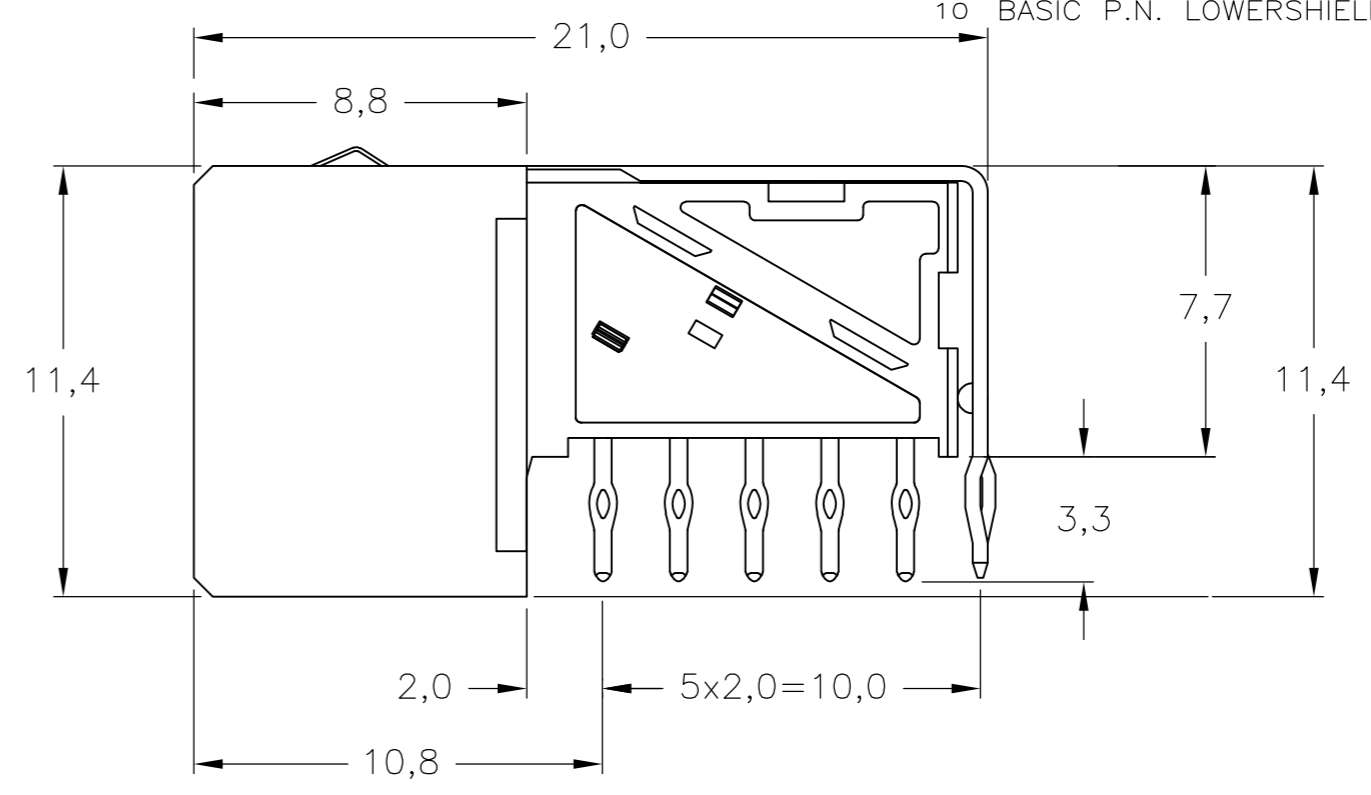
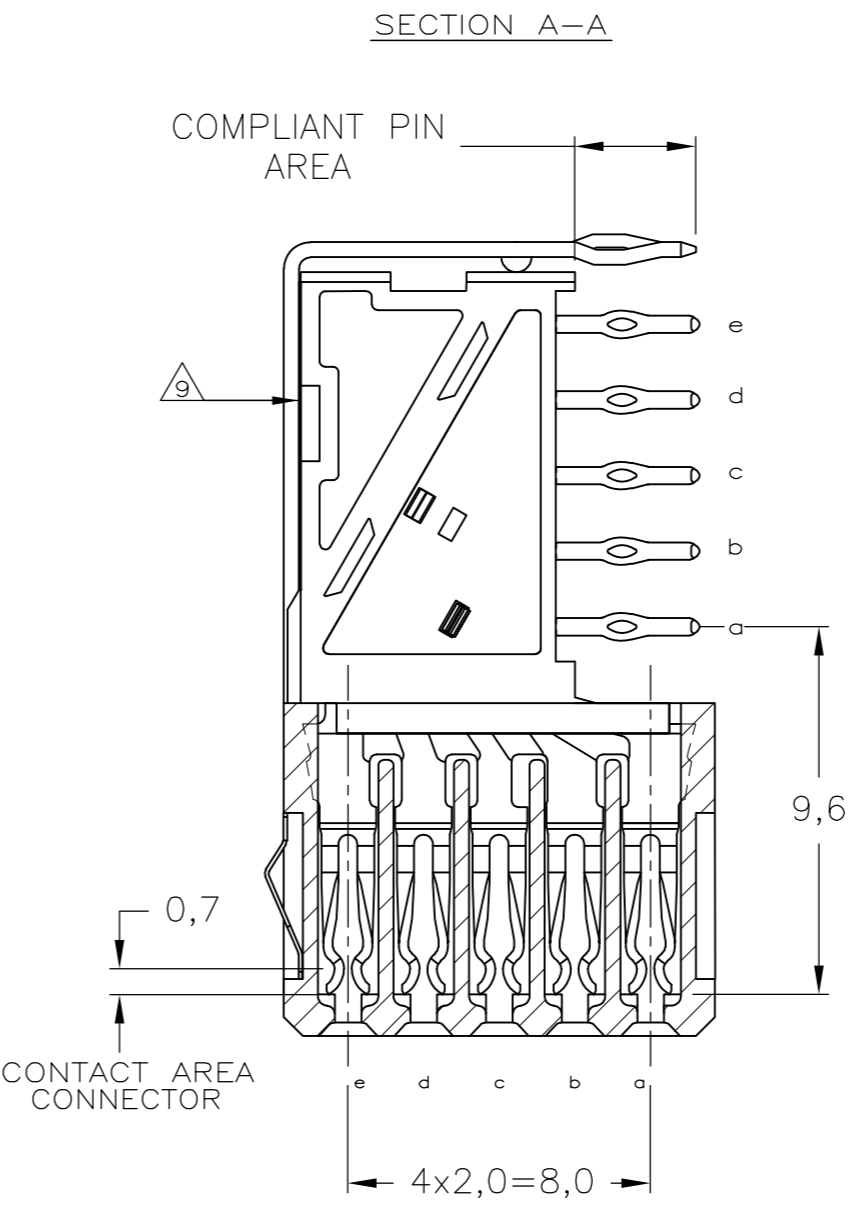
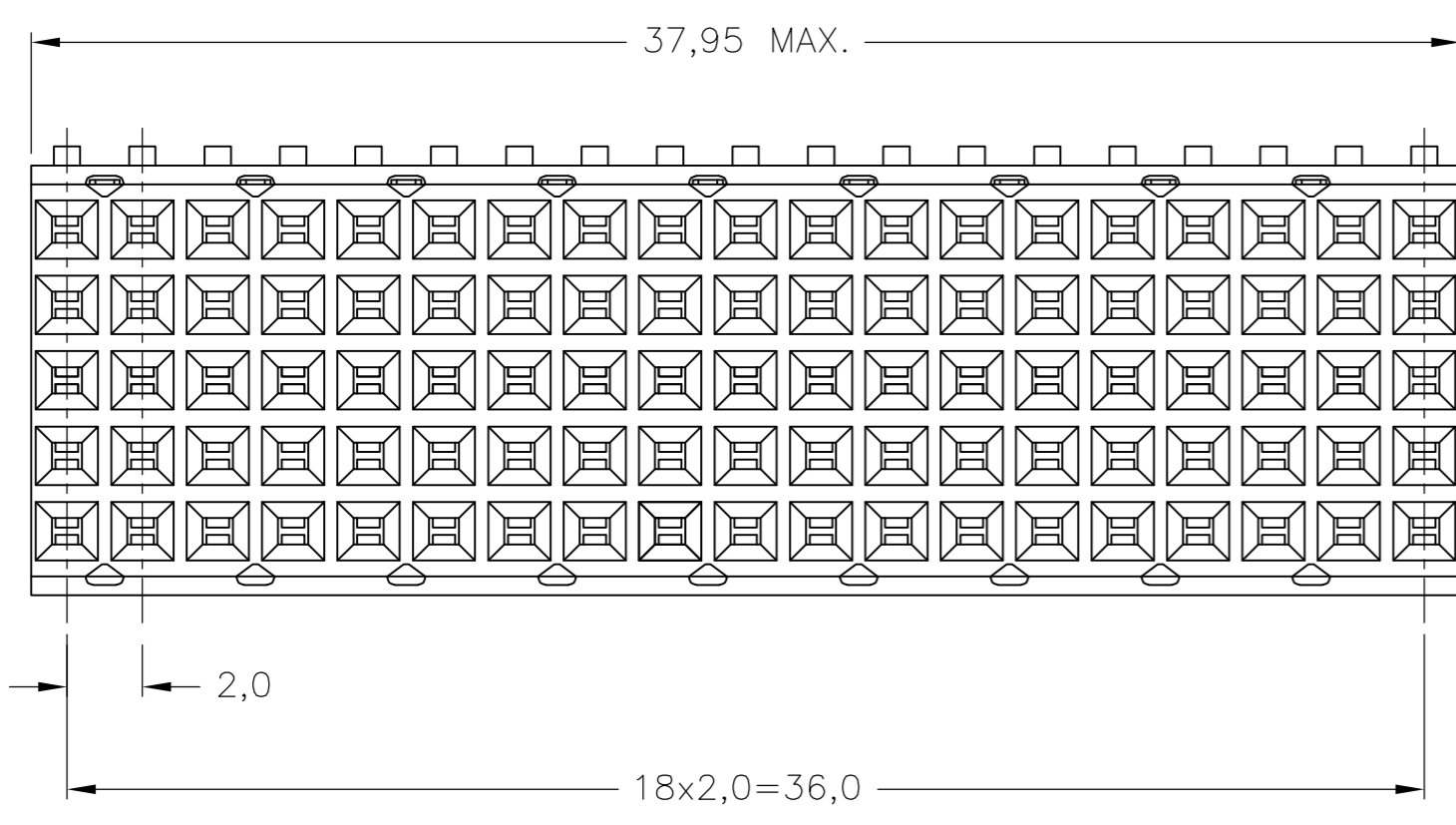
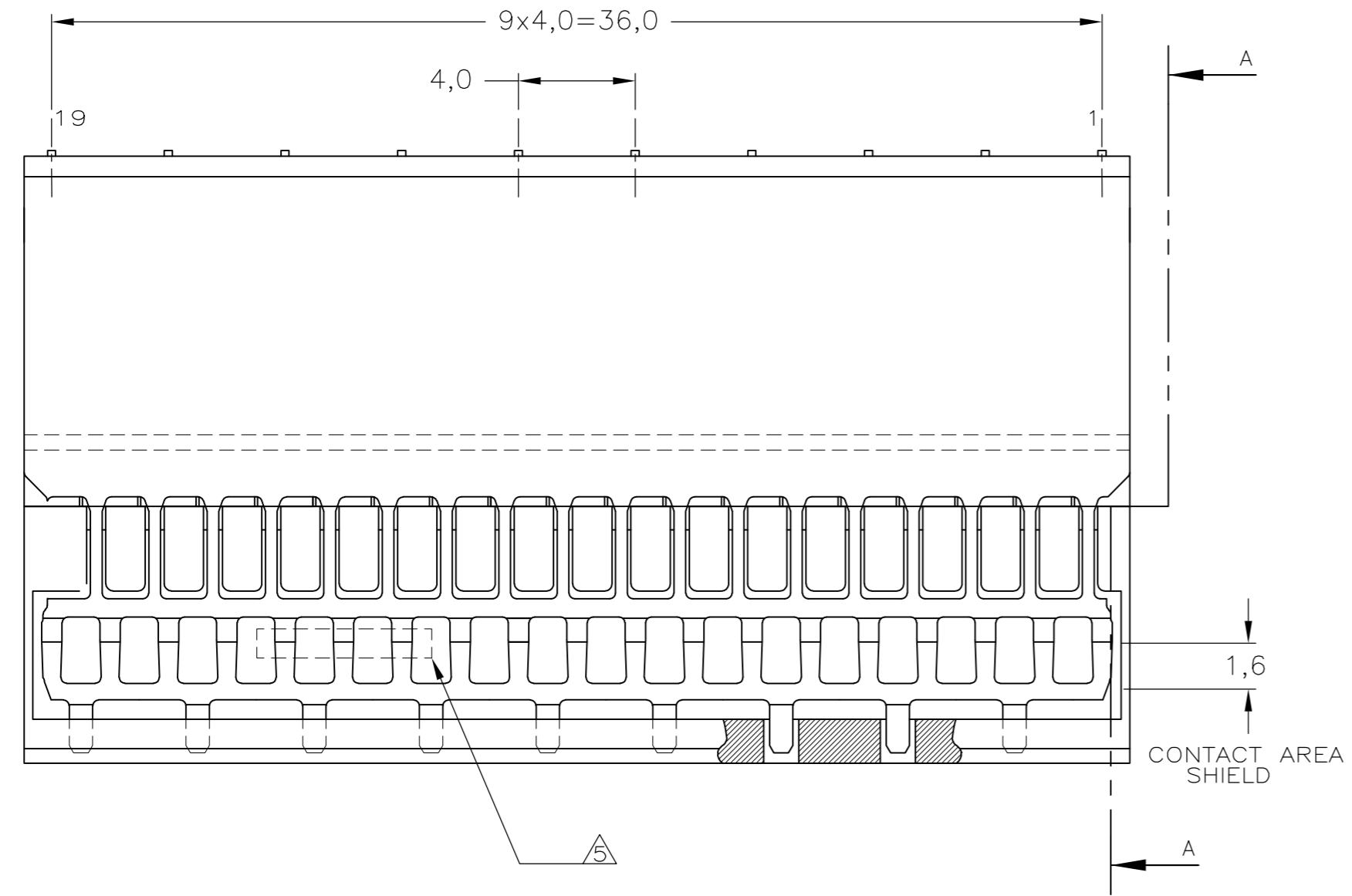


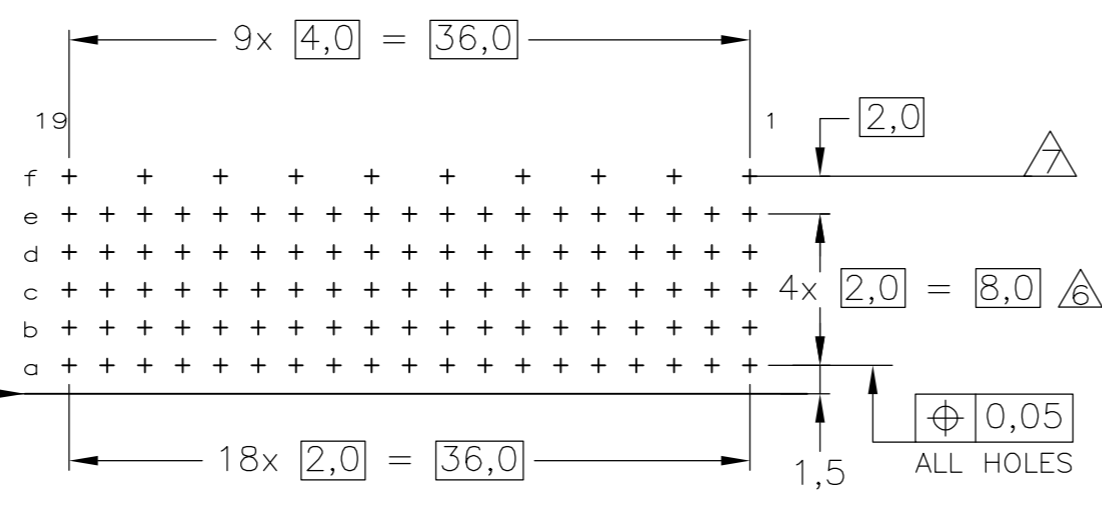
THIS DRAWING IS UNPUBLISHED. RELEASED FOR PUBLICATION
 © COPYRIGHT BY TYCO ELECTRONICS CORPORATION. ALL RIGHTS RESERVED.

LOC	DIST	REVISIONS					
		P	LTR	DESCRIPTION	DATE	DWN	APVD
H	-		A1	ECR-07-024984	19OCT2007	JvH	JB
			B	ECR-10-018652	10SEP10	SW	MQW
			C	ECO-11-024491	13DEC11	SY	MQW



- NOTES:
- 1 PLATING CONNECTOR:
CONTACT AREA: 0,76µm Au MIN. OVER 1,27 µm Ni MIN.
COMPLIANT PIN SECTION: 0,5µm Sn MIN. OVER 1,27 µm Ni MIN.
 - 2 PLATING CONNECTOR:
CONTACT AREA: 1,27µm Au MIN. OVER 1,27 µm Ni MIN.
COMPLIANT PIN SECTION: 0,5µm Sn MIN. OVER 1,27 µm Ni MIN.
 - 3 PLATING SHIELD:
CONTACT AREA: 0,76 µm Au MIN.
COMPLIANT PIN SECTION: 0,5 µm Sn MIN.
REMAINDER : Ni
 - 4 MATERIAL CONTACTS; PHOSPHORBRONZE
MATERIAL HOUSING; GLASSFILLED POLYESTER (GRAY)
 - 5 ASSEMBLY PRINTED WITH P/N AND DATECODE
THE MARKING CAN APPEAR ON THE FRONT SIDE OR BACK SIDE.
 - 6 HOLE PATTERN FOR FEMALE CONNECTOR TYPE B-19 COLUMNS
95 PLATED-THROUGH HOLES AT 2x2mm SQUARE GRID
 - 7 ROW "f" 10 PLATED THROUGH HOLES FOR UPPERSHIELD
 - 8 CONNECTOR & SHIELD LUBRICATED WITH BELLCORE
APPROVED LUBRICANT, TECHNICAL REFERENCE
TR-NWT-001217 ISSUE 1, SEPT. 1992.
CONNECTOR TESTED AND QUALIFIED AGAINST BELLCORE
QUALITY LEVEL III, CENTRAL OFFICE APPLICATIONS
 - 9 SHIELD MOUNTED ON CONNECTOR WITH DOUBLE SIDED
ADHESIVE TAPE OR ADHESIVE.
- 10 BASIC P.N. LOWERSHIELD: 5352029

COMPONENT SIDE AS SHOWN
 RECOMMENDED PCB-HOLE LAY-OUT
 SCALE 2,5:1



P.C.B. HOLE DIM. COMPLIANT PIN
 FOR DETAILS SEE
 APPLICATION SPECIFICATION

THIS DRAWING IS A CONTROLLED DOCUMENT.		DWN	J.van Hoek	23AUG2007	Tyco Electronics Corporation 's-Hertogenbosch,5222AR-32		
DIMENSIONS: mm		CHK	B.Mooij	23AUG2007	NAME		
TOLERANCES UNLESS OTHERWISE SPECIFIED:		APVD	J.Broeksteeg	23AUG2007	Z-PACK 2mm HM TYPE B - 19 COLUMNS PRE-SHIELDED RECEPTACLE		
6-PLG ±		PRODUCT SPEC	108-19082		SIZE	CAGE CODE	DRAWING NO
1-PLG ±		APPLICATION SPEC	114-19029		A2	00779	C=1857998
2-PLG ±		WEIGHT	-		RESTRICTED TO		
3-PLG ±		CUSTOMER DRAWING		SCALE	5:1	SHEET	1 OF 1
4-PLG ±				REV	C		
ANGLES ±							
FINISH							