

4

3

2

1

THIS DRAWING IS UNPUBLISHED.

RELEASED FOR PUBLICATION

2008

© COPYRIGHT 2008

BY -

ALL RIGHTS RESERVED.

REVISIONS

P	LTR	DESCRIPTION	DATE	DWN	APVD
	BA1	ECR-17-011125	01AUG2017	RK	TN

FOR FURTHER INFORMATION SEE DATA SHEET FOR  
SERIES TYPE SBC(SQUARE CERAMIC), HIGH POWER RESISTORS

50.0±1.5

Ø0.80±0.02

1.6

2.6

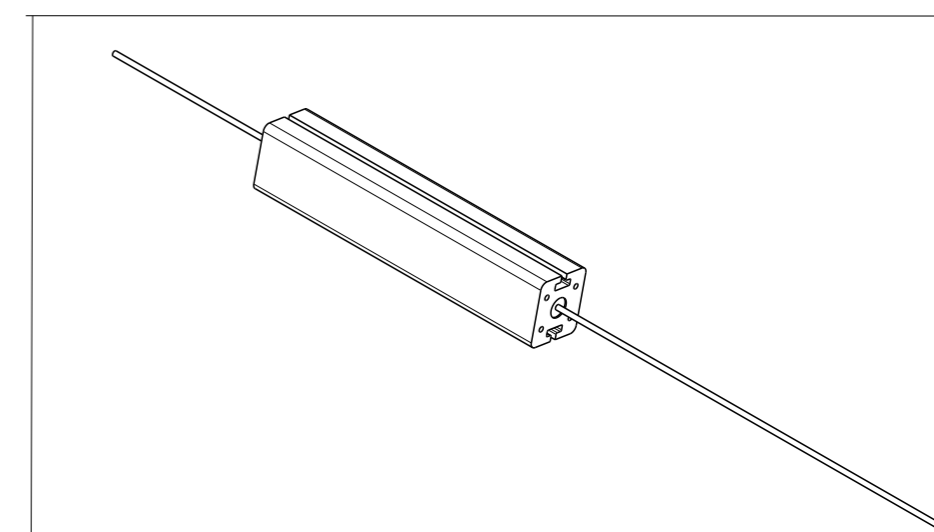
10.0±0.5

9.0±0.5

70±3

30±3

RoHS Compliant



THIS DRAWING IS A CONTROLLED DOCUMENT.

DWN 28 JULY 2010

CHK PARUSURAM.I

APVD 28 JULY 2010

STEPHEN.P

STEPHEN.P

PRODUCT SPEC

-

APPLICATION SPEC

-

WEIGHT

10g

CUSTOMER DRAWING



TE Connectivity

NAME  
HIGH POWER RESISTOR TYPE  
SBC (SQUARE CERAMIC) SERIES SBCHE11

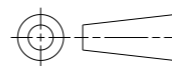
SIZE CAGE CODE DRAWING NO RESTRICTED TO

A3 00779 C-1623728 -

SCALE 4:1 SHEET 1 OF 1 REV BA1

DIMENSIONS:

mm


TOLERANCES UNLESS  
OTHERWISE SPECIFIED:

0 PLC	±0.2
1 PLC	±0.1
2 PLC	±
3 PLC	±
4 PLC	±
ANGLES	±5°

MATERIAL

-

FINISH

-

1470-19 (3/13)