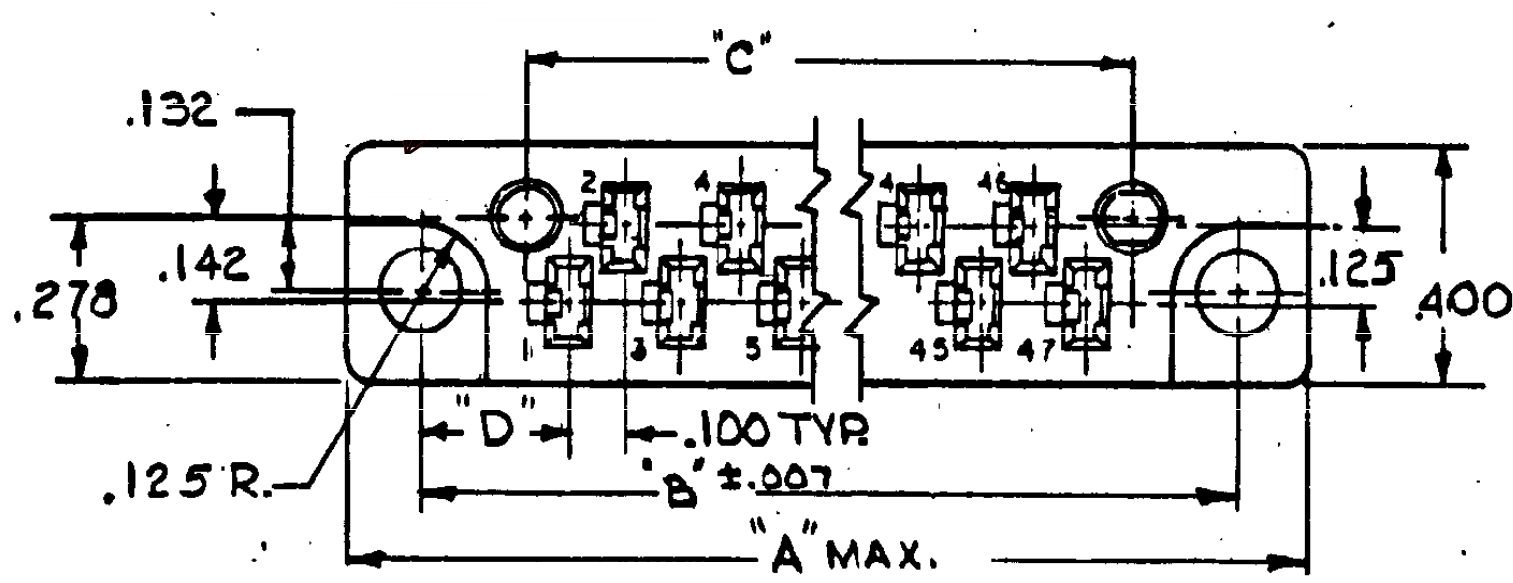
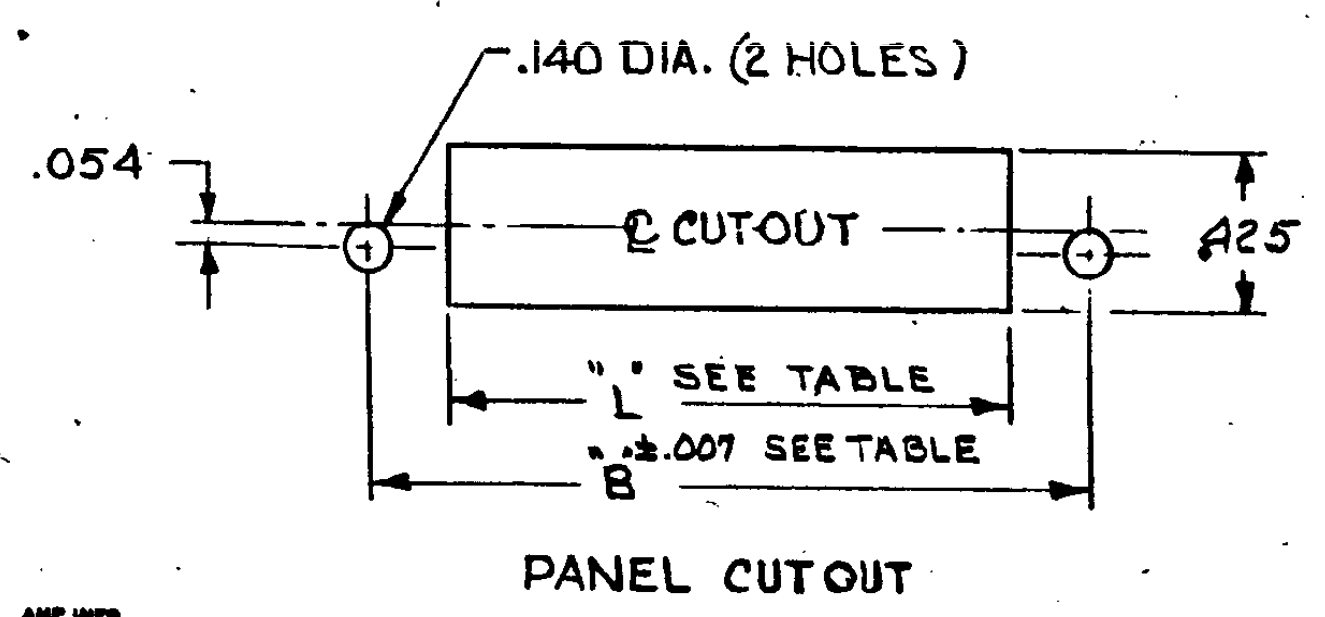
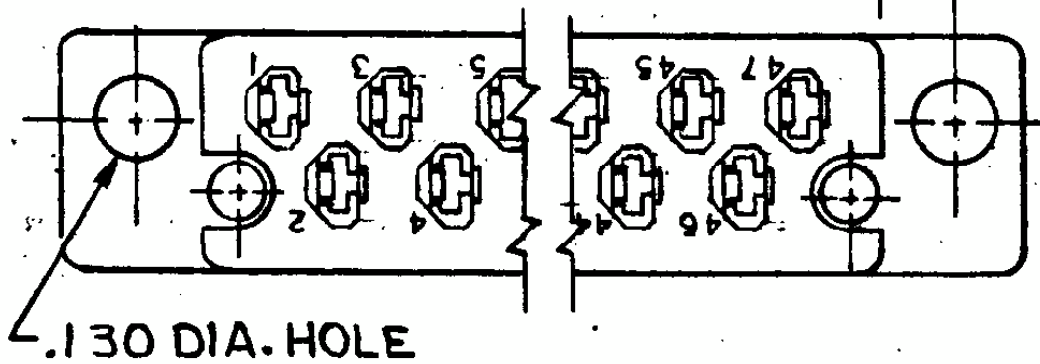
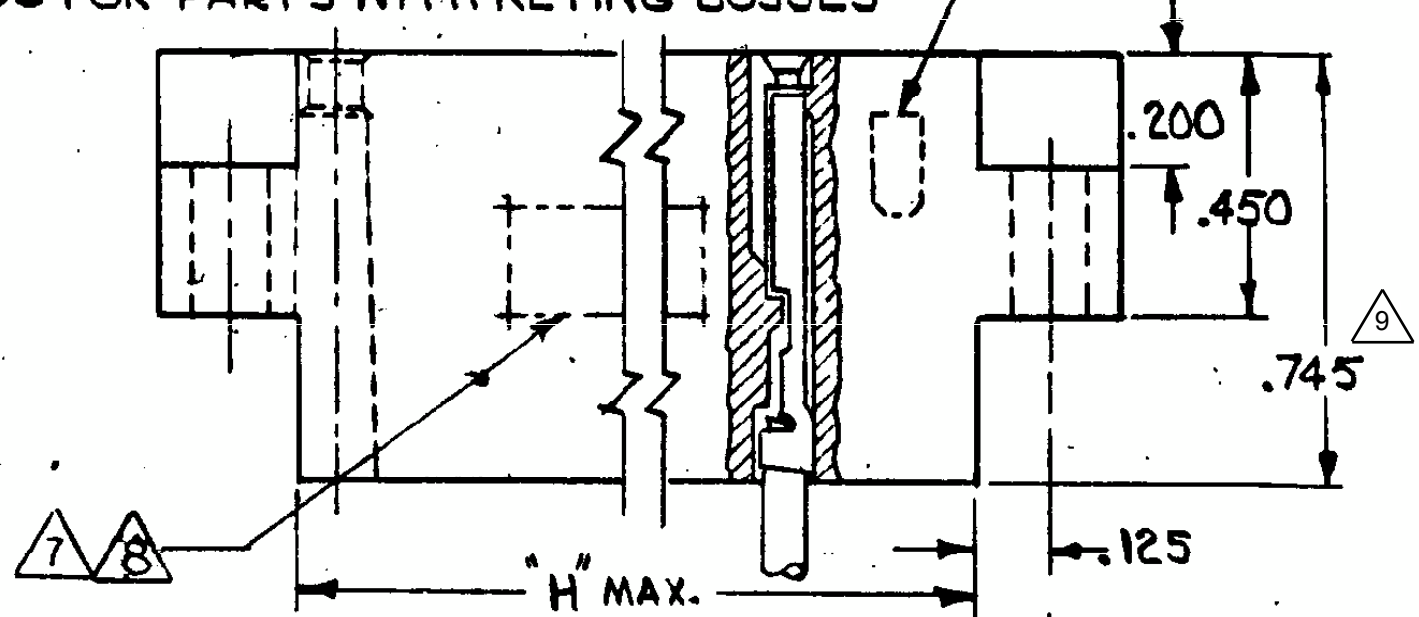


REVISIONS				
ZONE	LTR	DESCRIPTION	DATE	APPROVED
	AN	REVISED PER ECO-15-017419	18DEC2015	DE



SEE 582200 FOR PARTS WITH KEYING BOSSES



NO CAVITIES	"A" MAX.	"B"	"C"	"L"	"H" MAX.	"D"
17	2.390	2.130	1.764	1.910	1.897	.265
23	2.990	2.730	2.364	2.510	2.497	
29	3.590	3.330	2.964	3.110	3.097	.381
35	4.190	3.930	3.564	3.710	3.697	
41	4.790	4.530	4.164	4.310	4.297	.381
47	5.623	5.363	4.764	5.143	5.130	

NOTE:

- 1-THE CAVITY CENTERLINES ARE MEASURED FROM THE CENTERLINE OF THE ALIGNMENT PIN HOLES AND AS LONG AS THE CAVITIES FALL WITHIN THE TOLERANCES INDICATED THE ALLOWABLE WARPAGE IS INDEPENDENT OF THE CAVITIES AND BECOMES A MEASUREMENT OF THE OUT SIDE SURFACE OF THE BLOCK. IT DOES NOT AFFECT THE MATING OF THIS BLOCK WITH 582152.
- 2- THESE BLOCKS MATE WITH PART 582152
- 3- FOR SUPPLEMENTAL SPECIFICATIONS SEE E.S. 8-1-3

△ (WHERE SPECIFIED) AMP PART NO. NOT STAMPED ON PART. DATE CODE WILL BE STAMPED ON PART.

△ CUSTOMER PART NO. TO BE STAMPED IN ADDITION TO AMP PART NO.

△ OBS PART NO.

△ AMP, AMP PART NUMBER AND DATE CODE MARKED APPROX THIS AREA EITHER SIDE.

HOUSING:
 MATERIAL: DIALYL PHTHALATE
 GLASS FILLED
 PER: MIL-M-14F, TYPE S.D.G-F.
 COLOR: GREEN (EXCEPT AS NOTED)

△ AMP, AMP PART NUMBER, DATE CODE AND MILITARY NUMBER MARKED APPROX THIS AREA.


△ DIMENSION DOES NOT INCLUDE RAISED PADS OR RAISED CHARACTERS.

UNLESS OTHERWISE SPECIFIED		CONTRACT NO.		TE Connectivity	
DIMENSIONS ARE IN INCHES		DATE		NAME	
FRACTIONS	DECIMALS	ANGLES	7-17-67	AMP BLADE RECEPTACLE HOUSING	
± 1/16	± .005	± 1°	DATE	7-26-67	
MATERIAL		DESIGN APP'D		DATE	
SEE CALL-OUT		D. B. Bump		7/24/67	
HEAT TREAT		APPROV'D		DATE	
		R. Shawman		7/26/67	
FINISH		OTHER APP'D		SIZE	NUMBER
				C	00772
				SCALE	3-1
				WT	CALC
				ACTUAL	SHEET 1 OF 2 SHTS.

CUSTOMER DRAWING

FORM LTR		REVISIONS		DATE	APPROVED
		DESCRIPTION			
AN		SEE SHEET 1			

PART NO.	NO. CAVITIES	MARKING
3-582151-1	17	△
3-582151-2	23	△
3-582151-3	29	△
3-582151-4	35	△
3-582151-5	41	△
3-582307-1	47	△
2-582151-4	35	GRAY HOUSING, △
4-582151-5	17	STAMP CUST. PART NO. △ △
4-582151-6	23	STAMP CUST. PART NO. △ △
4-582151-7	29	STAMP CUST. PART NO. △
4-582151-8	35	STAMP CUST. PART NO. △ △
4-582151-9	41	STAMP CUST. PART NO. △ △
1-582307-3	47	STAMP CUST. PART NO. △
5-582151-1	17	M21097/13-01 △
5-582151-2	23	M21097/13-02 △
5-582151-3	29	M21097/13-03 △
5-582151-4	35	M21097/13-04 △
5-582151-5	41	M21097/13-05 △
5-582307-1	47	M21097/13-06 △
4-582151-2	23	STAMP CUST. PART NO. △ △
4-582151-3	29	STAMP CUST. PART NO. △ △

UNLESS OTHERWISE SPECIFIED DIMENSIONS ARE IN INCHES TOLERANCES ON		CONTRACT NO.		 TE Connectivity	
FRACTIONS	DECIMALS	ANGLES	DATE	DATE	NAME
3/16	0.0005	30	7-17-67	7-20-67	AMP BLADE RECEPTACLE HOUSING
MATERIAL			DATE	DATE	
			7-20-67	7-20-67	
HEAT TREAT			DATE	DATE	
			7-20-67	7-20-67	
FINISH			DATE	DATE	
			7-20-67	7-20-67	
OTHER APPR.			SIZE	CODE IDENT. NO.	NUMBER
			C	00779	582151
OTHER APPR.			SCALE	BY	CALC. ACTUAL
					SHEET 2 OF 2 SHTS.

LOC
REF AS NO

NUMBER
CUST-582151

CUSTOMER DRAWING