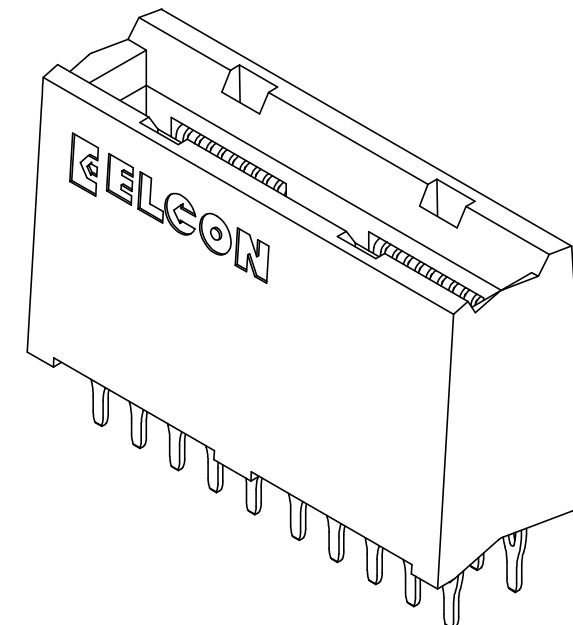


This drawing involves proprietary design rights of Tyco Electronics Corporation, and all design, manufacture, reproduction, use and sale rights regarding the same are expressly reserved. It is submitted for a specific purpose and the recipient by accepting this drawing, assumes custody and control and agrees to take reasonable precautions: (a) that this drawing will not be copied and reproduced, in whole or in part, or its contents revealed in any manner, or to any person except to meet the purpose for which it was delivered and (b) that any special features peculiar to this design will not be incorporated in other projects without the expressed written permission of Tyco Electronics Corporation.

REVISIONS			
EC	REV	DESCRIPTION	DATE
0S1Q-0337-04	A	INITIAL DRAWING	10/07/04
0S1Q-0436-04	B	ADDED DETAIL A FOR COMPLIANT PRESS FIT AND DETAIL B FOR OPTIONAL STYLE COMPLIANT TAIL ADDED NOTE 7 ON SHEETS 1 & 3	12/13/04

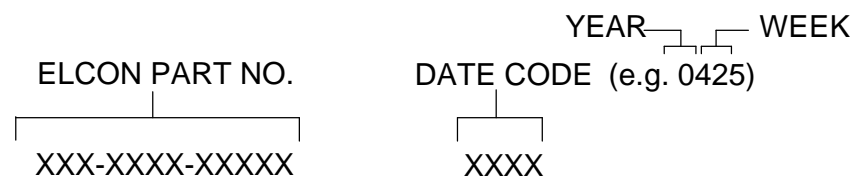
## NOTES: UNLESS OTHERWISE SPECIFIED

- PART NUMBER CHANGES AND OR DESIGN CHANGES AFFECTING ITEM INTERCHANGEABILITY REQUIRE PRIOR ELCON APPROVAL AND AUTHORIZATION BY REVISION TO THIS DRAWING
- MATERIALS:  
 INSULATORS: THERMPLASTIC, GLASS REINFORCED, COLOR: BLK  
 UL 94V-0 FLAMMABILITY RATED  
 SIGNAL CONTACTS: COPPER ALLOY  
 POWER CONTACTS: COPPER ALLOY
- FINISHES:  
 CONTACT PLATING: SELECTIVE GOLD PER MIL-G-45204, 0.000030" NOMINAL OVER NICKEL PER QQ-N-290  
 TERMINALS: TIN PLATED, MATTE FINISH, .000040" TO .000120" THICKNESS (PRE-PRODUCTION TERMINATION MAY BE TIN/LEAD PLATED)



- CONNECTOR ACCEPT 0.093 ± .005" [2.36 ± 0.13] THICK PCB.
- RECOMMENDED PRINTED CIRCUIT HOLE  
 FINISHED HOLE:  $\phi 1.02 \pm .08$  [.040 ± .003]  
 DRILLED HOLE:  $\phi 1.15 \pm .013$  [.0453 ± .0005]  
 COPPER PLATE: .025 [.0010] MINIMUM (PER SURFACE)  
 TIN PLATE: .008 [.0003] MINIMUM (PER SURFACE)
- MACHINED PART 284-0492-00900 WILL BE REPLACED BY MOLDED PART 284-0492-11000 WHEN TOOLING BECOMES AVAILABLE.
- TO AVOID CONTACT DAMAGE, REMOVE SHARP PCB EDGE.

- ITEMS PROVIDED TO THIS SPECIFICATION TO BE PERMANENTLY IDENTIFIED PER THE FOLLOWING IDENTIFIER:

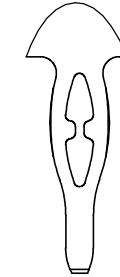
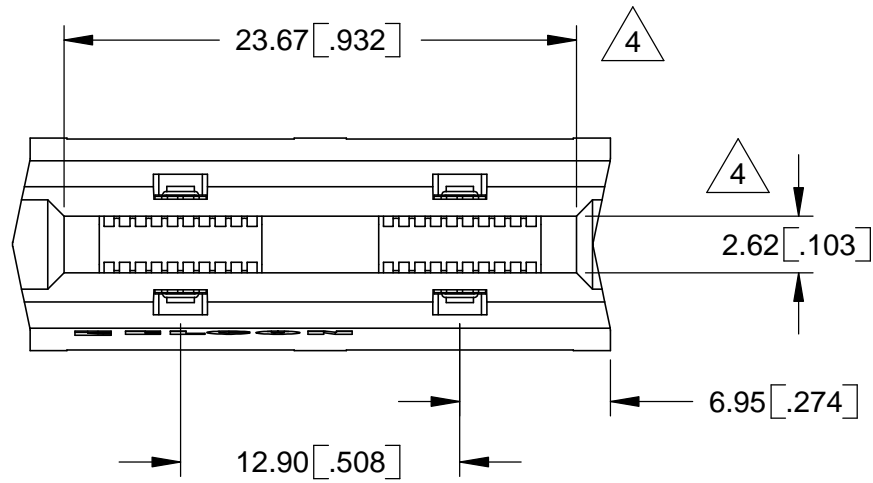


- REFERENCE ELCON PART NO. 284-0492-11000  
284-0492-00900

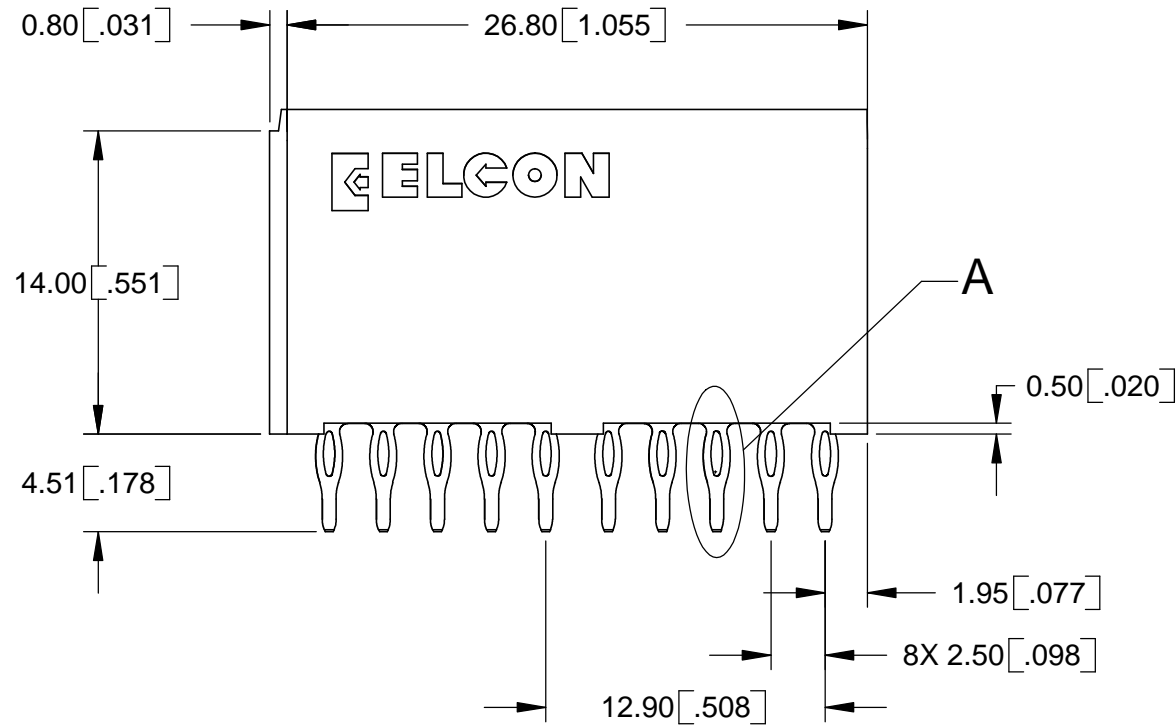
 <small>← MM OR MM [INCH]</small>  <small>THIRD ANGLE PROJECTION</small>	DRAWN <b>R. Thein</b>	DATE 09/15/04	 Tyco Electronics Corporation Menlo Park, CA 94025	
UNLESS OTHERWISE SPECIFIED DIMENSIONS ARE IN MILLIMETERS [INCH]  TOLERANCES ANGLES ± 2.0° DECIMALS .XX ± 0.25 [.010] .X ± 0.5 [.02]	CHECKED		TITLE <b>SOCKET CONNECTOR, CROWNEDGE          2 SEGMENTS, COMPLIANT TAIL, .093" BLADE          PN: 284-0492-11000 (MOLDED)          PN: 284-0492-00900 (MACHINED) </b>	
	APPROVED			
	APPROVED <b>D. CHAU</b>	12/13/04	SIZE <b>B</b> DWG NUMBER <b>C</b> = 1766354 REV. <b>B</b>	
	DCA APPROVED <b>M. ALIM</b>	12/15/04		
FILE NAME	SC1766354B.SLDDRW		DWG SCALE: 3 = 1	SH 1 OF 3

This drawing involves proprietary design rights of Tyco Electronics Corporation, and all design, manufacture, reproduction, use and sale rights regarding the same are expressly reserved. It is submitted for a specific purpose and the recipient by accepting this drawing, assumes custody and control and agrees to take reasonable precautions: (a) that this drawing will not be copied and reproduced, in whole or in part, or its contents revealed in any manner, or to any person except to meet the purpose for which it was delivered and (b) that any special features peculiar to this design will not be incorporated in other projects without the expressed written permission of Tyco Electronics Corporation.

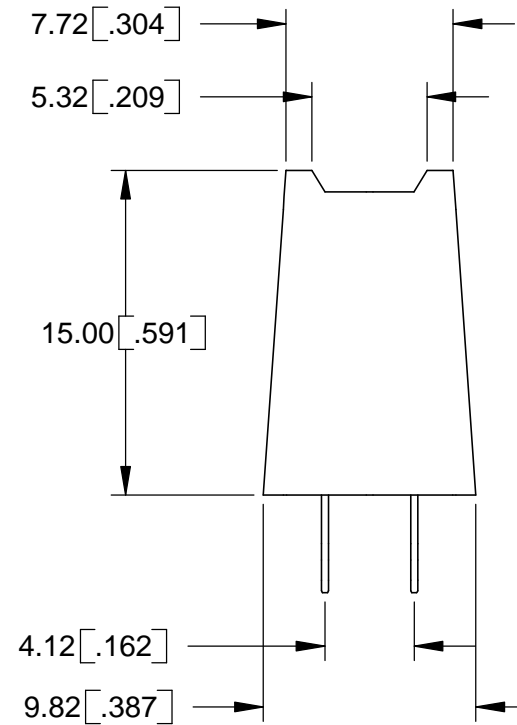
REVISIONS			
EC	REV	DESCRIPTION	DATE
		SEE SHEET 1	



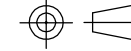
DETAIL B  
OPTIONAL STYLE  
COMPLIANT PRESS FIT  
SCALE 6 : 1



DETAIL A  
COMPLIANT PRESS FIT  
SCALE 6:1



← MM → OR MM [INCH]  
← INCH →



THIRD ANGLE PROJECTION

UNLESS OTHERWISE SPECIFIED DIMENSIONS ARE IN MILLIMETERS [INCH]

TOLERANCES

ANGLES ± 2.0°

DECIMALS

.XX ± 0.25 [.010]

.X ± 0.5 [.02]

DRAWN

R. Thein

CHECKED

APPROVED

APPROVED

D. CHAU

DCA APPROVED

M. ALIM

FILE NAME

DATE

09/15/04

APPROVED

12/13/04

12/15/04

SC1766354B.SLDDRW

tyco

Electronics

Tyco Electronics Corporation

Menlo Park, CA 94025

ELCON

TITLE

SOCKET CONNECTOR, CROWNEDGE  
2 SEGMENTS, COMPLIANT TAIL, .093" BLADE  
PN: 284-0492-11000 (MOLDED)  
PN: 284-0492-00900 (MACHINED) 6

SIZE

B

DWG NUMBER

C = 1766354

REV.

B

DWG SCALE: 3 = 1

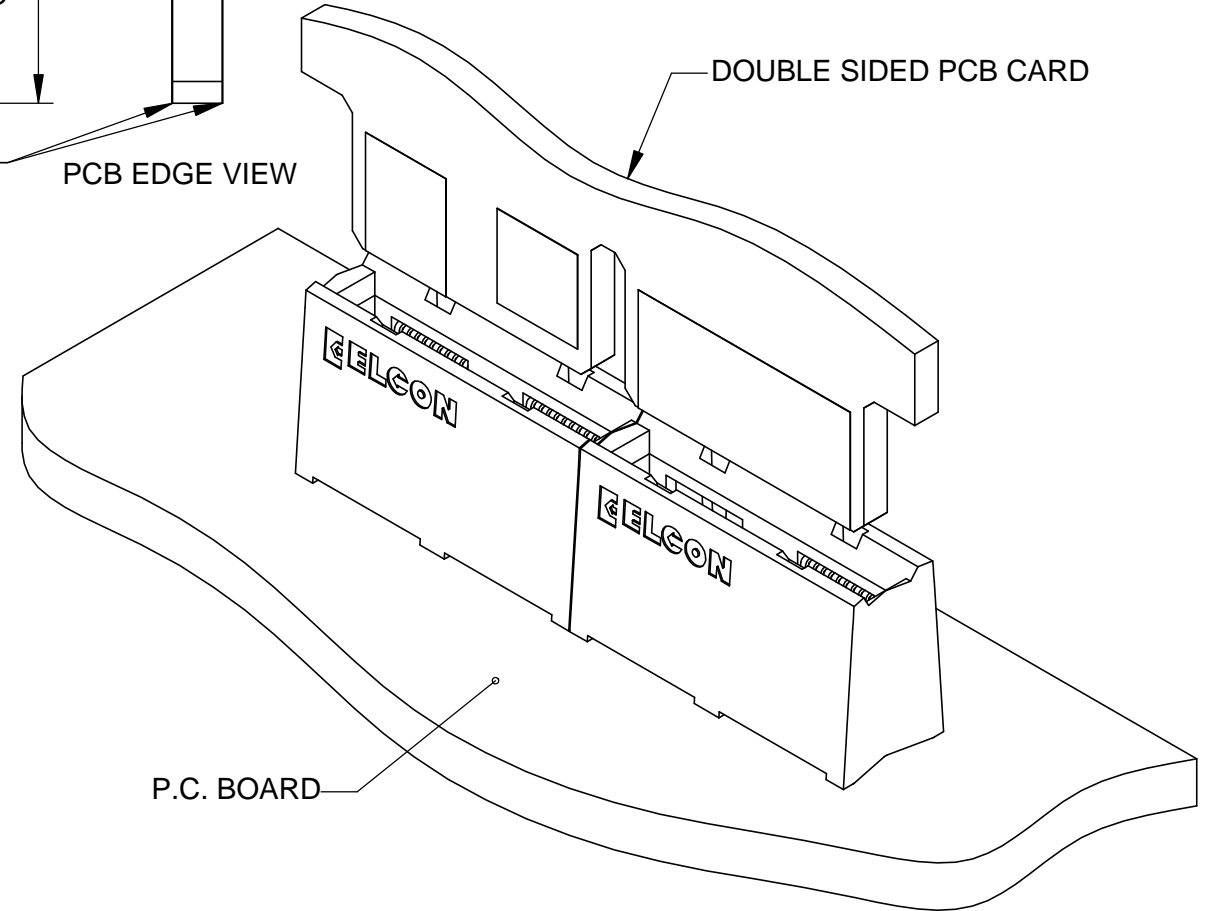
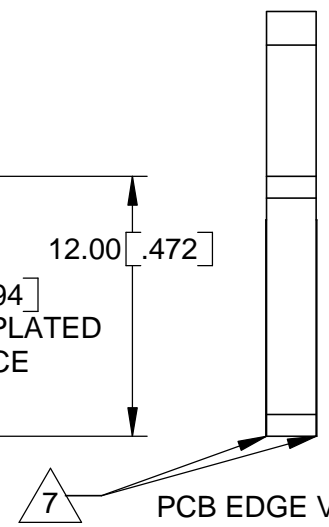
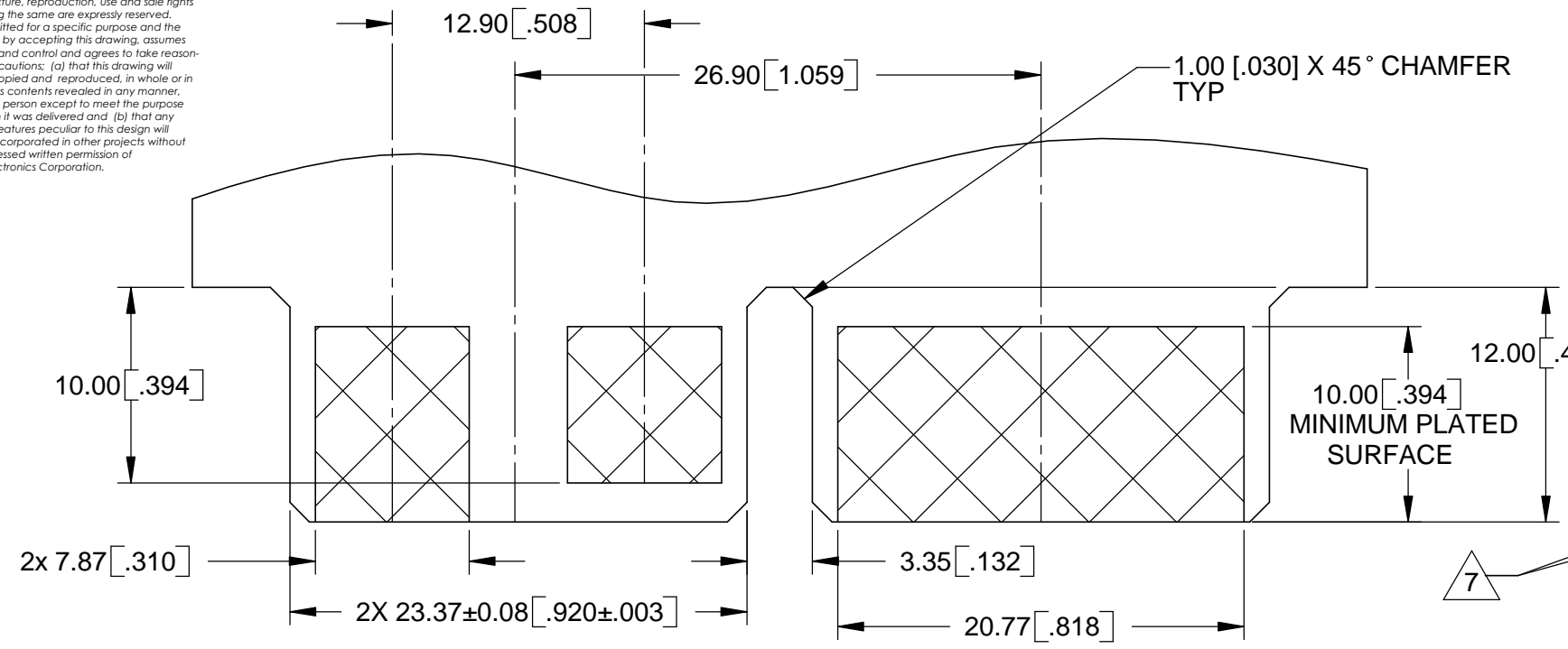
SH 2 OF 3

This drawing involves proprietary design rights of Tyco Electronics Corporation, and all design, manufacture, reproduction, use and sale rights regarding the same are expressly reserved. It is submitted for a specific purpose and the recipient by accepting this drawing, assumes custody and control and agrees to take reasonable precautions: (a) that this drawing will not be copied and reproduced, in whole or in part, or its contents revealed in any manner, or to any person except to meet the purpose for which it was delivered and (b) that any special features peculiar to this design will not be incorporated in other projects without the expressed written permission of Tyco Electronics Corporation.

REVISIONS			
EC	REV	DESCRIPTION	DATE
		SEE SHEET 1	

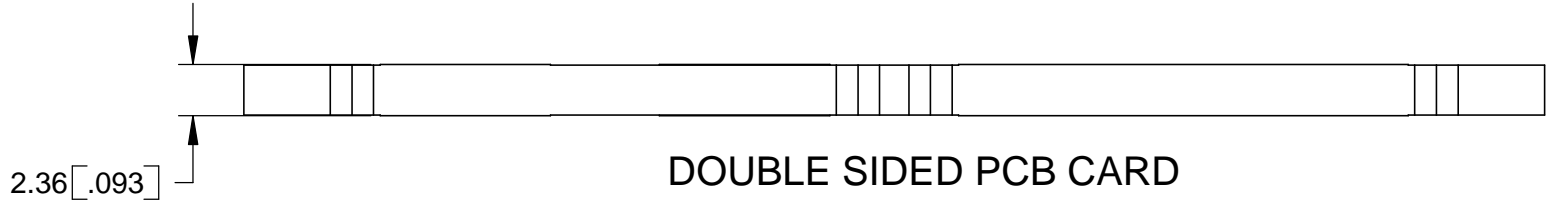
B

B

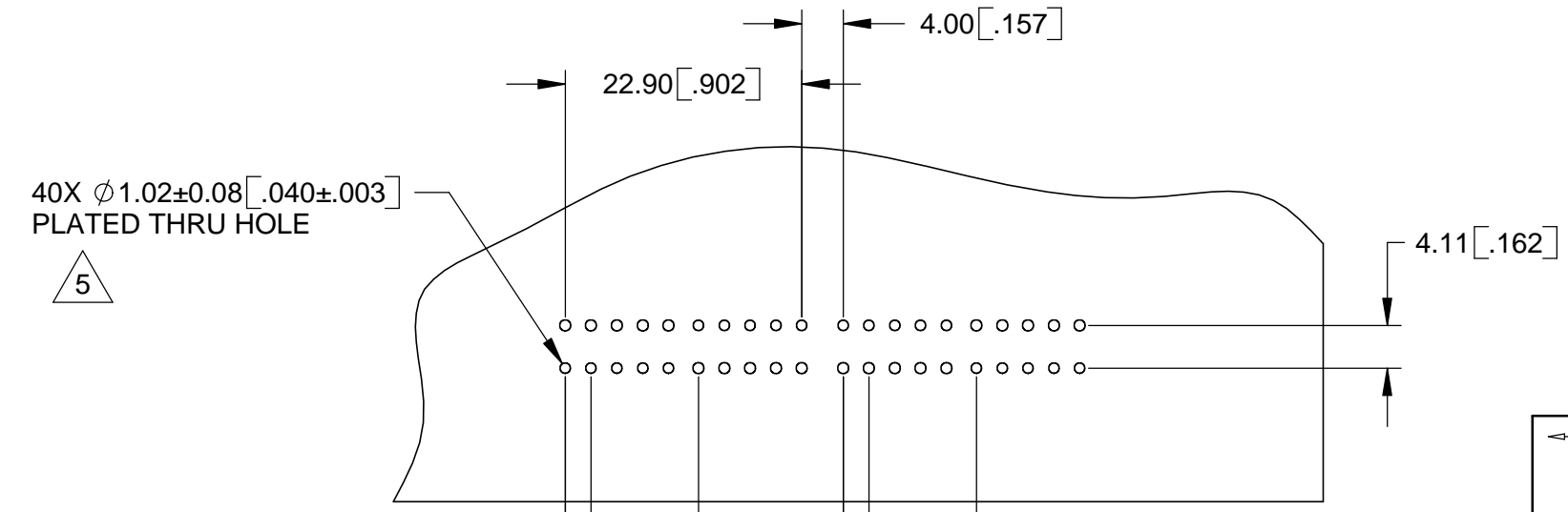


A

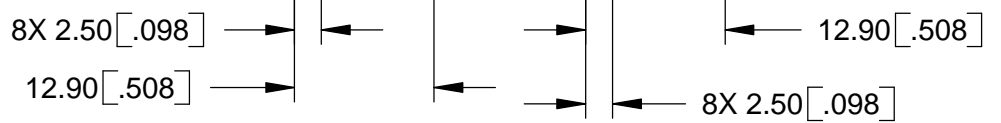
A



DOUBLE SIDED PCB CARD



5 RECOMMENDED PCB LAYOUT



 THIRD ANGLE PROJECTION UNLESS OTHERWISE SPECIFIED DIMENSIONS ARE IN MILLIMETERS [INCH] TOLERANCES ANGLES ± 2.0° DECIMALS .XX ± 0.25 [.010] .X ± 0.5 [.02]	DRAWN R. Thein CHECKED APPROVED APPROVED D. CHAU DCA APPROVED M. ALIM FILE NAME SC1766354B.SLDDRW	DATE 06/02/04  12/13/04 12/15/04	Tyco Electronics Corporation Menlo Park, CA 94025 	TITLE <b>USER INFORMATION RECOMMENDED PCB LAYOUT AND MATING BOARD</b>	SIZE <b>B</b>	DWG NUMBER <b>C = 1766354</b>	REV. <b>B</b>
	DWG SCALE: 3 = 1		SH 3 OF 3				

4

3

2

1

A

A