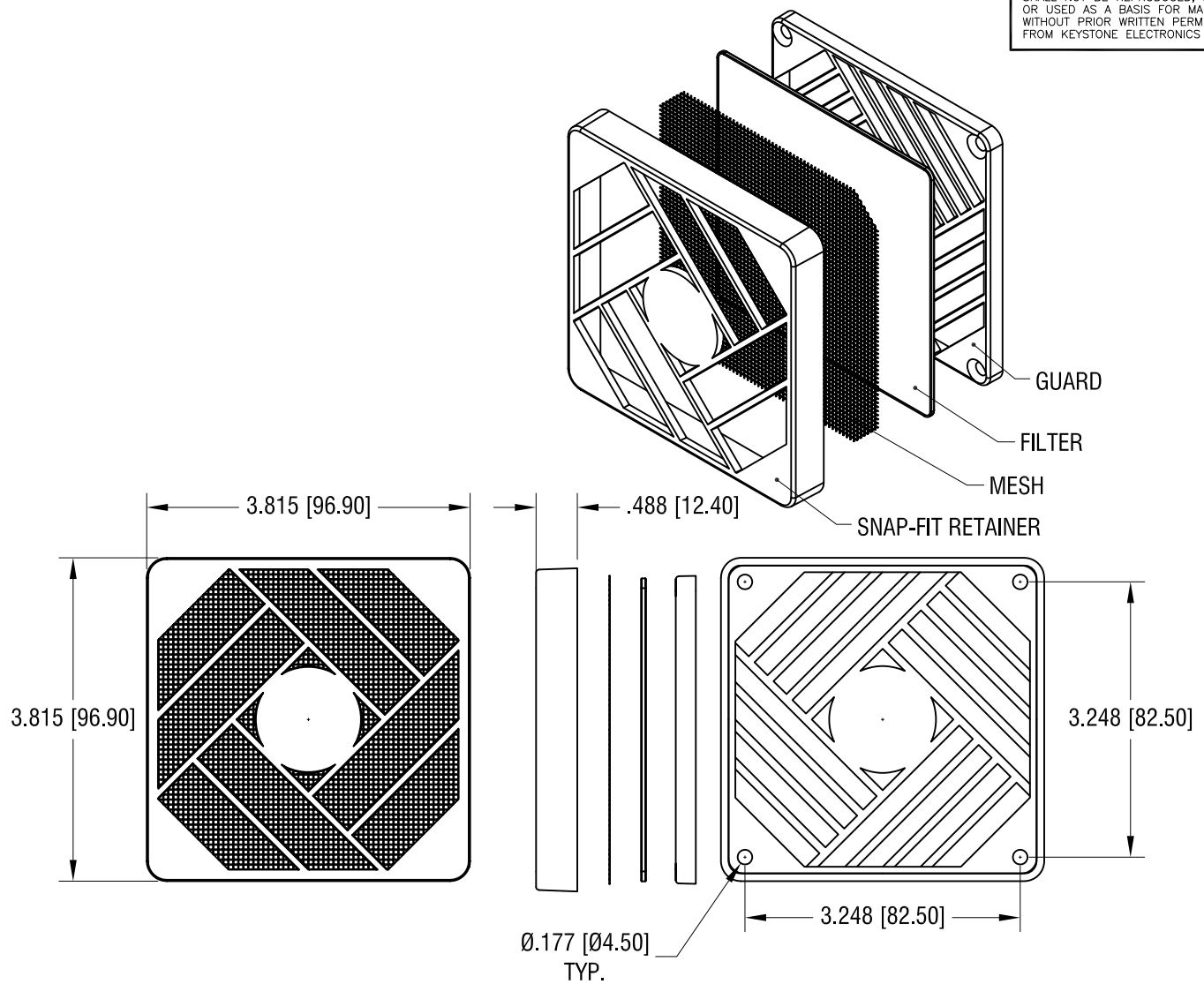


THIS DOCUMENT IS THE PROPERTY OF KEYSTONE ELECTRONICS CORP. AND SHALL NOT BE REPRODUCED, DISTRIBUTED OR USED AS A BASIS FOR MANUFACTURE WITHOUT PRIOR WRITTEN PERMISSION FROM KEYSTONE ELECTRONICS CORP.



NOTE:

1. SUPPLIED UNASSEMBLED:

FAN GUARD (1) ONE PIECE: MAT'L- 25% GLASS FILLED NYLON 6/6

RETAINER (1) ONE PIECE: MAT'L- 25% GLASS FILLED NYLON 6/6

FILTER INCLUDES: a) MESH (1) ONE PICE: MAT'L- ALUMINUM

b) FILTER (1) ONE PICE: MAT'L- POLYESTER

KEYSTONE ELECTRONICS CORP.			
www.keyelco.com • ASTORIA, N.Y. 11105-2017 • Tel (718) 956-8900			
PART NAME			
FAN FILTER ASSEMBLY FOR Ø92mm FAN			
MATERIAL			
AS NOTED			
FINISH		DRN BY	DATE
AS NOTED		NT	2.05.13
		APP'D	SCALE
		LN	.5X
TOLERANCES	INCH	[MM]	CODE
DECIMAL	± .010	[± 0.25]	C
ANGULAR	± 1°		
UNLESS OTHERWISE SPECIFIED			
		DWG NO.	8488

DATE	DESCRIPTION	REV.	
------	-------------	------	--