

NOTES:

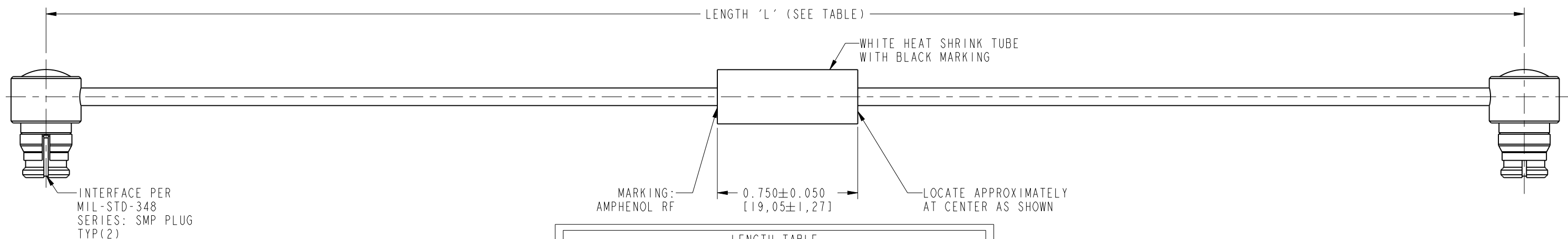
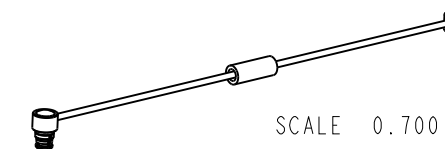
1. MATERIALS AND FINISHES:
 SMP RA PLUG - BeCu, GOLD PLATING
 CABLE - 0.047" CONFORMABLE
2. ELECTRICAL:
 A. IMPEDANCE: 50 OHM

3. PACKAGING:
 A. QUANTITY: SINGLE PACK
 B. MARKING: BAG TO BE MARKED
 "AMPHENOL RF, 95-725-121-XXX AND DATE CODE".

THIRD ANGLE PROJ.

REVISIONS

REV	DESCRIPTION	DATE	ECO	APPR
A	RELEASE TO MFG.	11-Jun-19	11801	SKP



LENGTH TABLE		
PART NUMBER (IMPERIAL)	PART NUMBER (METRIC)	LENGTH 'L' IN INCHES [METERS]
-	95-725-121M005	1.97 [0.050]
95-725-121-003	-	3.00 [0.076]
-	95-725-121M010	3.94 [0.100]
95-725-121-004	-	4.00 [0.102]
95-725-121-005	-	5.00 [0.127]
-	95-725-121M015	5.91 [0.150]
95-725-121-006	-	6.00 [0.152]
95-725-121-007	-	7.00 [0.178]
-	95-725-121M020	7.87 [0.200]
95-725-121-008	-	8.00 [0.203]
95-725-121-009	-	9.00 [0.229]
-	95-725-121M025	9.84 [0.250]
95-725-121-010	-	10.00 [0.254]
95-725-121-011	-	11.00 [0.279]
-	95-725-121M030	11.81 [0.300]
95-725-121-012	-	12.00 [0.305]
95-725-121-018	-	18.00 [0.457]
-	95-725-121M050	19.69 [0.500]
95-725-121-024	-	24.00 [0.610]
-	95-725-121M075	29.53 [0.750]
95-725-121-036	-	36.00 [0.914]
-	95-725-121M100	39.37 [1.000]
95-725-121-048	-	48.00 [1.219]
-	95-725-121M200	78.74 [2.000]
-	95-725-121M400	157.48 [4.000]

TOLERANCE TABLE	
LENGTH IN INCHES/FT [METERS]	TOLERANCE
0" - 23.90" [0 - 0.607]	±0.25" [0.006]
24.00" - 59.00" [0.610 - 1.499]	±0.50" [0.013]
5.0' - 24.9' [1.524 - 7.617]	±2.5%
25.0' & UP [7.620 & UP]	±5.0%

DESIGN REQUIREMENTS:

- FREQUENCY: DC - 20 GHz CONTINUITY
- VSWR: ____ MAX. HI-POT: 500 VRMS
- INS. LOSS: ____ dB MAX. OTHER

CUSTOMER OUTLINE DRAWING
 ALL OTHER SHEETS ARE FOR INTERNAL USE ONLY

UNLESS OTHERWISE SPECIFIED, DIMENSIONS ARE IN INCHES AND TOLERANCES ARE: 2 PLACE DECIMAL 3 PLACE DECIMAL ANGLES ±.015 (0,381 mm) ±.005 (0,127 mm) ± 1°	MATERIAL	DRAWN	DATE	TITLE SMP RA PLUG TO SMP RA PLUG USING 0.047" CONFORMABLE CABLE VARIOUS LENGTH SCALE: 3.7:1.0 SHEET 2 OF 2 DWG SIZE B REV A		Amphenol RF www.amphenolrf.com
	SEE NOTES	KRISHNA S	21-May-19			
NOTICE - These drawings, specifications, or other data (1) are, and remain the property of Amphenol corp. (2) must be returned upon request; and (3) are confidential and not to be disclosed to any person other than those to whom they are given by Amphenol Corp. the furnishing of these drawings, specifications, or other data by Amphenol Corp., or to any other person to anyone for any purpose is not to be regarded by implication or otherwise in any manner licensing, granting rights to permitting such holder or any other person to manufacture, use or sell any product, process or design, patented or otherwise, that may in any way be related to or disclosed by said drawings, specifications, or other data.	REFERENCE	ENGINEER	DATE	DRAWING NO. 95-725-121-XXX ITEM NO. 95-725-121-XXX PART NO. 95-725-121-XXX		
	EAR # 9091	KRISHNA S	21-May-19			
	CONFIGURATION LEVEL: In Work	APPROVED	DATE			
FINISH	K. CAPOZZI	11-Jun-19				