

PART NAME: KNOB SCALE: 1:1 DATE: 1/13/97 DR. BY HD

THIS DRAWING IS THE PROPERTY OF DAVIES MOLDING COMPANY, IS SUBMITTED SOLELY AS A DESIGN OR ENGINEERING PROJECT.
 WE ACCEPT NO RESPONSIBILITY WHATSOEVER FOR THE PRACTICAL APPLICATION OF THE PIECES MADE TO THIS DESIGN.

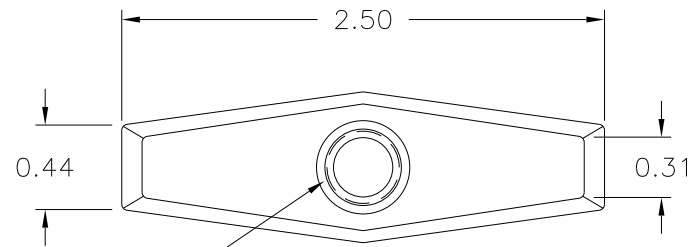


DESIGNERS & MANUFACTURERS
 OF KNOBS, HANDLES, CASES &
 CUSTOM PLASTIC COMPONENTS

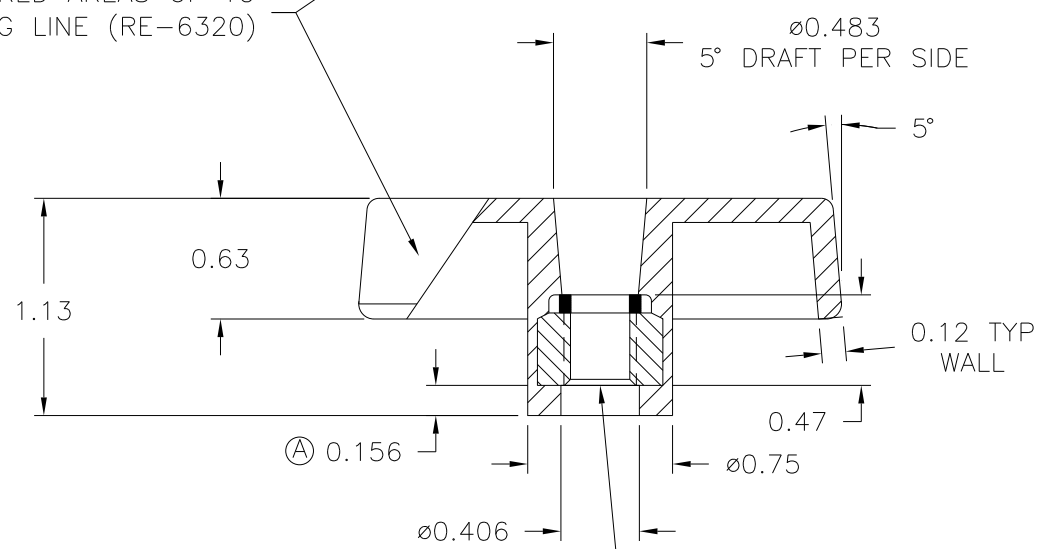
P/N 3088AS

M NO. 55

CAVITY	3088
CORE	3088
TOP PIN	3088-AS
SLEEVE	3088
PIN	3088-AS
INSERT	I1879



TEXTURED AREAS UP TO
 PARTING LINE (RE-6320)



3/8-16 THREADED (NYLOCK TYPE)
 I1879, STEEL, ZINC PLATED

MATERIAL: POLYPROPYLENE (CLD) (B)
 COLOR: BLACK

TOLERANCES: UNLESS OTHERWISE SPECIFIED	DO NOT SCALE DRAWING	B	ADDED MAT. CODE	DS	1/26/07
DECIMALS: X.XXX ± .005 X.XX ± .015	MM: X.XX ± 0.15MM X.X ± 0.4MM	-	REDRAWN	TL	11/12/99
FRACTIONS ± 1/64	ANG. ± 1°	A	ADDED 0.156	RF	3/19/97
CHANGES					