



Main

| | |
|------------------------------|--|
| Range of product | Zelio Control |
| Product or component type | Modular measurement and control relays |
| Relay type | Temperature control relays |
| Product specific application | Heating or cooling HVAC Industrial machines Packaging |
| Relay name | RTC |

Complementary

| | |
|-----------------------------|--|
| Outer dimension | 1/16 DIN 48 x 48 mm |
| Analogue input type | Current 0...20 mA Current 4...20 mA Voltage 0...10 V DC Thermocouple (thermocouple J, K, R, B, S, T, E, N, PLII, C(W/Re5-26)) Temperature probe (temperature probe: Pt 100, JPt 100) Voltage 0...1 V DC Voltage 0...5 V DC Voltage 1...5 V DC |
| [Us] rated supply voltage | 24 V AC/DC |
| [Us] rated supply voltage | 24 V AC/DC |
| Supply voltage limits | 20...28 V |
| Measurement accuracy | 0.2 % full scale |
| Sampling duration | 250 ms |
| Number of outputs | 1 relay output with NO contact output 1 |
| Output type | Relay output at 250 V AC / 3 A on resistive load Relay output at 250 V AC / 1 A on inductive load |
| Alarm output | 1 C/O |
| Power consumption in VA | <= 8 VA at 250 V AC |
| Communication port protocol | Modbus RTU and ASCII |
| Method of access | Slave |
| Transmission frame | RTU/ASCII |
| Physical interface | RS485 non isolated |
| Exchange mode | Half duplex |
| Transmission rate | 9600, 19200 kbit/s |
| Function available | Auto tuning PID |
| Marking | CE |
| Operating position | Any position |
| Display type | 11 segments LCD |
| Display digits | 5 |
| Signalling function | Process value green, orange and red Output status (OUT1, OUT2) orange Alarm status (EV1, EV2) orange Transmission/reception activity (TX/TR) orange Setpoint value green |
| Mounting support | Panel |
| Product weight | 4.23 oz (120 g) |

Environment

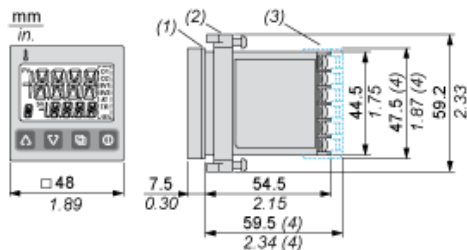
| | |
|---------------------------------------|--|
| standards | EN 61010-1 EN 61326-1 CSA C22.2 No 24-93 |
| product certifications | CURus (873) |
| ambient air temperature for storage | -13...176 °F (-25...80 °C) |
| ambient air temperature for operation | 32...122 °F (0...50 °C) |
| relative humidity | 35...85 % without condensation |
| vibration resistance | 1 gn at 10...55 Hz conforming to IEC 60068-2-6 |
| shock resistance | 10 gn conforming to IEC 60068-2-27 |
| IP degree of protection | IP20 (rear) IP66 (front face) conforming to IEC 60529 |
| NEMA degree of protection | NEMA 4X (front face) |

Offer Sustainability

| | |
|--|--|
| Green Premium product | Green Premium product |
| Compliant - since 1314 - Schneider Electric declaration of conformity | Compliant - since 1314 - Schneider Electric declaration of conformity |
| Reference not containing SVHC above the threshold | Reference not containing SVHC above the threshold |
| Available | Available |
| Available | Available |
| WARNING: This product can expose you to chemicals including: | WARNING: This product can expose you to chemicals including: |
| Lead and lead compounds, which is known to the State of California to cause cancer and birth defects or other reproductive harm. | Lead and lead compounds, which is known to the State of California to cause cancer and birth defects or other reproductive harm. |
| For more information go to www.p65warnings.ca.gov | For more information go to www.p65warnings.ca.gov |

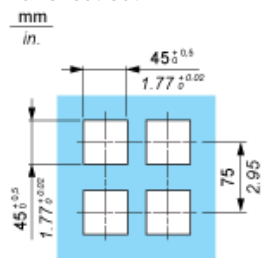
48 x 48 Size – 1/16 DIN Standard

Panel Mounting : Mounting Frame Supplied

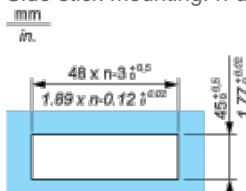


- (1) Gasket
- (2) Mounting frame
- (3) Terminal cover, to be ordered separately.
- (4) When Terminal cover (sold separately) is used

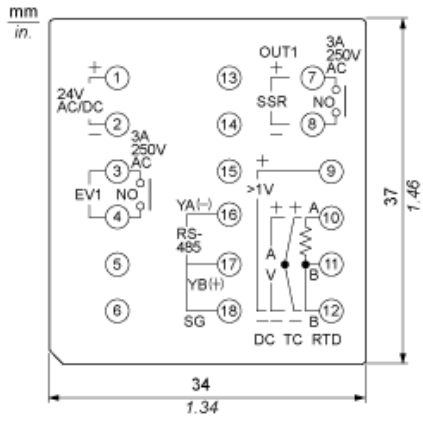
Panel cut-out



Side stick mounting: n units (water-proof property lost in this case)



Wiring Diagram



EV : Alarm output

OUT :Control output

DC : DC current or DC voltage input

TC : Thermocouple input

RTD :Resistance temperature detector input

RS Serial communication

485 :

SSR :Solid State relay