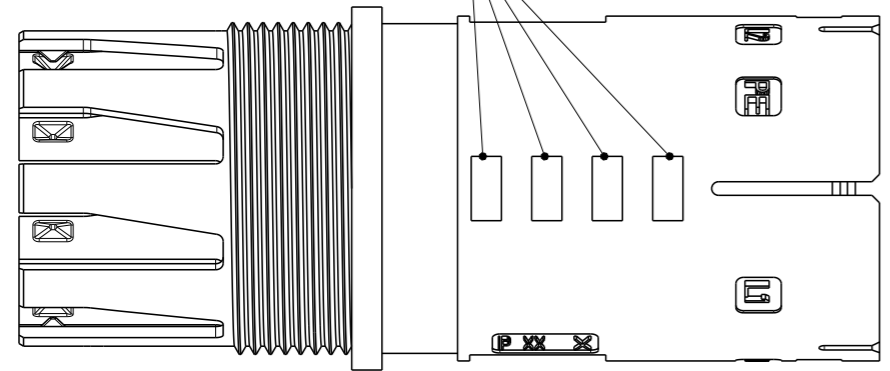
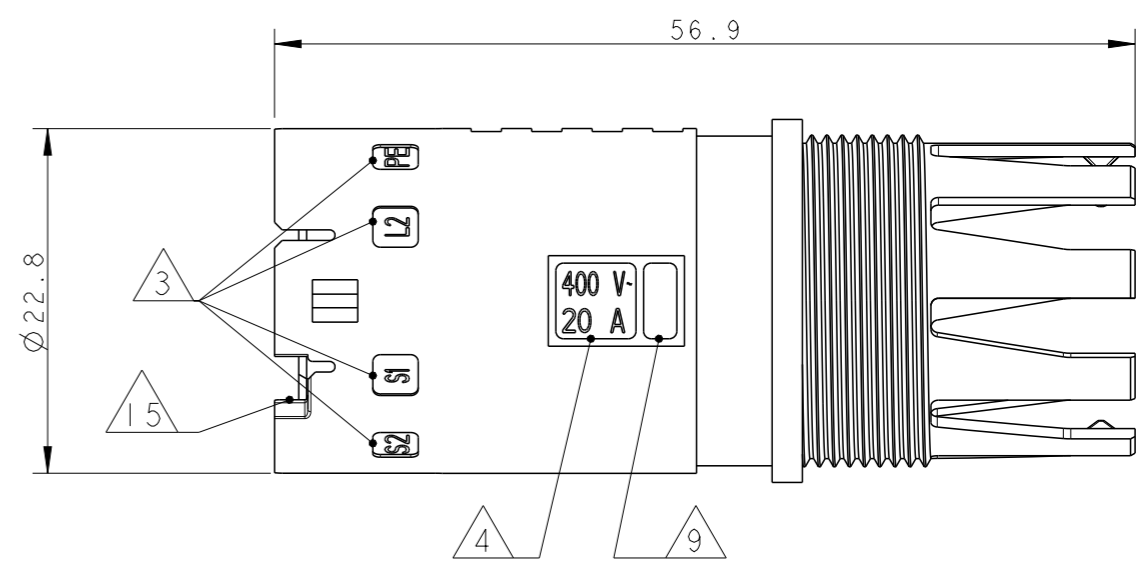
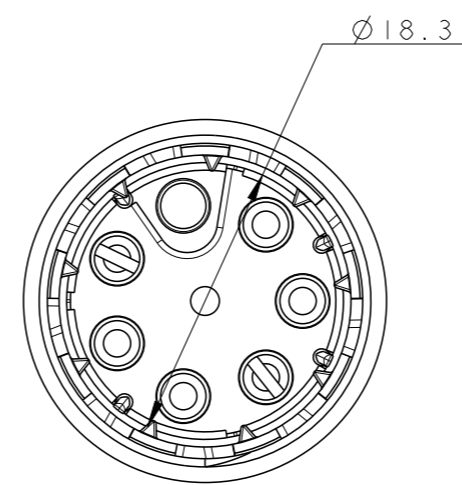
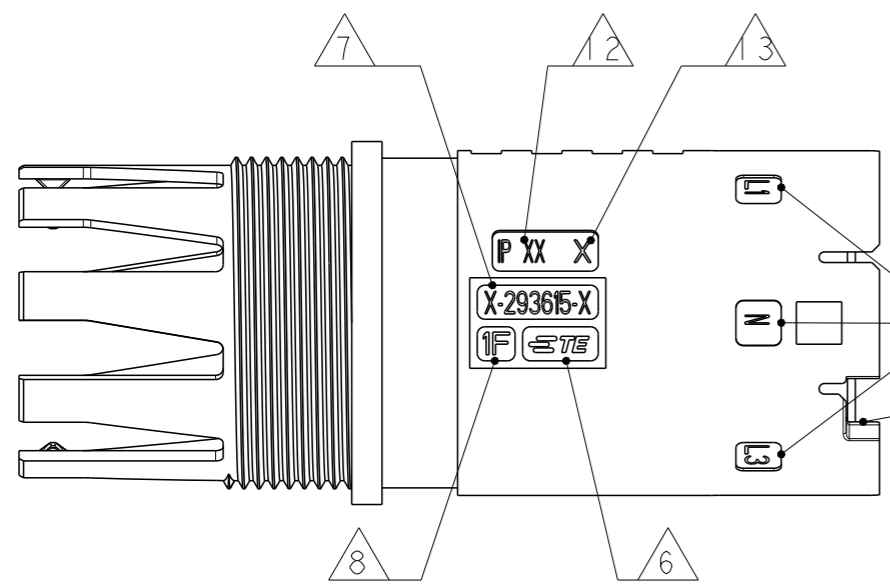


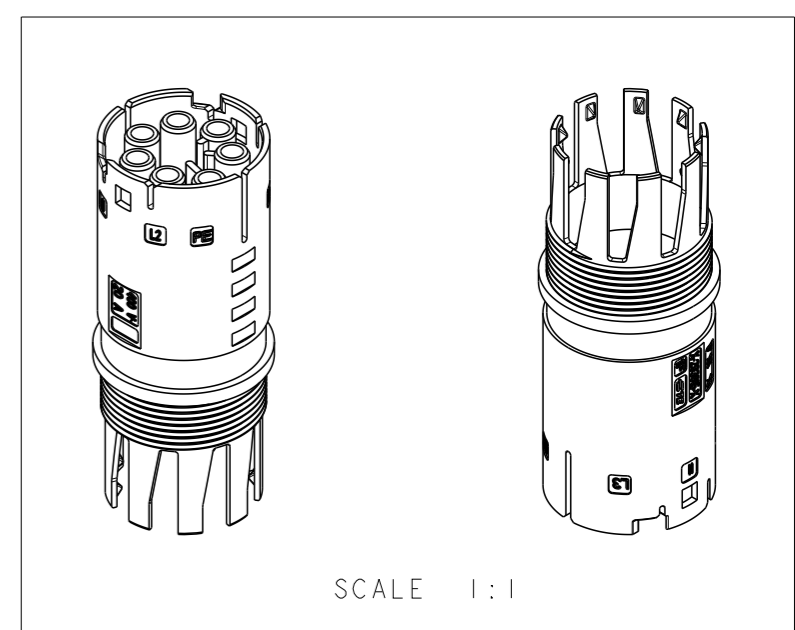
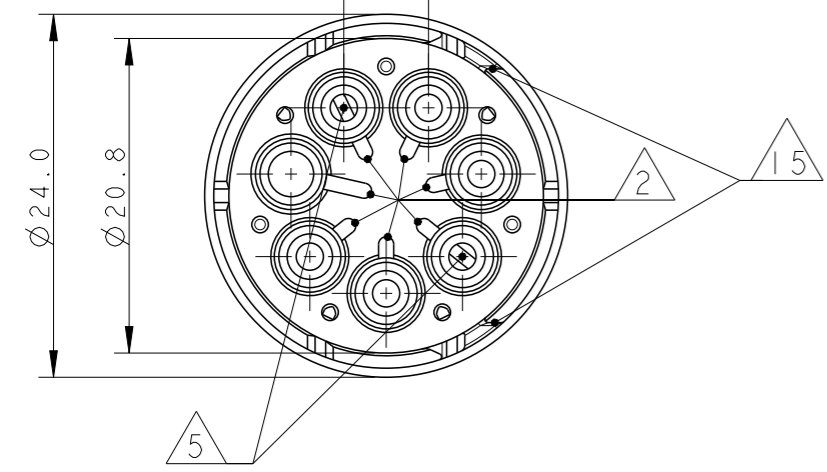
P	LTR	DESCRIPTION	DATE	DWN	APVD
3		UPDATED	20MAY2011	AB	GT
4		REVISED	02MAY2013	KR	JC
5		UPDATED	18JUL2013	MZ	JC
A		PARTS RELEASED FOR PRODUCTION	12NOV2013	MZ	JC




NOTES:

- 1 MATERIAL: PA GF (NATURAL AND BLACK COLOUR)
  - 2 ALL POLARIZATION KEYS SHOWN FOR REF ONLY
  - 3 WAYS I.D.
  - 4 VOLTAGE AND CURRENT RATINGS
  - 5 RIB CLOSING CAVITIES BY CHANGE OVER
  - 6 TE LOGO
  - 7 TE PART NUMBER
  - 8 DATA CODE
  - 9 AREA FOR AGENCIES APPROVAL LOGO
  - 10 VISUAL INDOCATOR FOR PE CONDUCTOR
- 11) SEE C-DRAWING 293682 (LOCKING CAP) TO GET IP 40
- 12 IP CODE
  - 13 CAVITY I.D.
  - 14 POLARISATION KEY "TYPE D" SUITABLE FOR DALI APPLICATION
  - 15 SLOTS TO ALLOW DELATCHING OPERATION. FOR DELATCHING TOOL AND OPERATION REFER TO APPLICATION SPEC.

5.60 PITCH (TYP X7)



THIS DRAWING IS A CONTROLLED DOCUMENT.		DWN M. ZUCCA 31MAR2011	 <b>TE Connectivity</b>		
DIMENSIONS: mm		CHK M. ZUCCA 31MAR2011			NAME SOCKET HOUSING FREE HANGING NECTOR M-LINE 5 POLES UNSEALED VERSION
TOLERANCES UNLESS OTHERWISE SPECIFIED:		APVD G. TURCO 31MAR2011			
0 PLC ±- 1 PLC ±0.3 2 PLC ±0.20 3 PLC ±- 4 PLC ±- ANGLES ±3°		PRODUCT SPEC -			
MATERIAL NOTE 1		FINISH -	APPLICATION SPEC -	RESTRICTED TO -	
		WEIGHT -	SIZE A3	CAGE CODE 00779	
			DRAWING NO C-293615	REV A	
		Customer Drawing	SCALE 2:1	SHEET 1 OF 2	

THIS DRAWING IS UNPUBLISHED.

RELEASED FOR PUBLICATION

2011

© COPYRIGHT 2011

ALL RIGHTS RESERVED.

LOC

DIST

REVISIONS

P	LTR	DESCRIPTION	DATE	DWN	APVD
-		SEE SHEET 1	-	-	-

POLARIZATION TYPES

POLARIZATION TYPE "A"

POLARIZATION TYPE "B"

POLARIZATION TYPE "C"



PNs 0-293615-1  
AND 1-293615-1

PNs 0-293615-2  
AND 1-293615-2

PNs 0-293615-3  
AND 1-293615-3

POLARIZATION TYPE "D"

POLARIZATION TYPE "E"



PNs 0-293615-4  
AND 1-293615-4

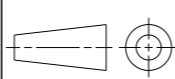
PNs 0-293615-5  
AND 1-293615-5

	E	BLACK	SOCKET HOUSING FREE HANG. NECTOR* M-LINE 5 POLES	A	1-293615-5
	D	BLACK	SOCKET HOUSING FREE HANG. NECTOR* M-LINE 5 POLES	A	1-293615-4
	C	BLACK	SOCKET HOUSING FREE HANG. NECTOR* M-LINE 5 POLES	A	1-293615-3
	B	BLACK	SOCKET HOUSING FREE HANG. NECTOR* M-LINE 5 POLES	A	1-293615-2
	A	BLACK	SOCKET HOUSING FREE HANG. NECTOR* M-LINE 5 POLES	A	1-293615-1
	E	NATURAL	SOCKET HOUSING FREE HANG. NECTOR* M-LINE 5 POLES	A	0-293615-5
	D	NATURAL	SOCKET HOUSING FREE HANG. NECTOR* M-LINE 5 POLES	A	0-293615-4
	C	NATURAL	SOCKET HOUSING FREE HANG. NECTOR* M-LINE 5 POLES	A	0-293615-3
	B	NATURAL	SOCKET HOUSING FREE HANG. NECTOR* M-LINE 5 POLES	A	0-293615-2
	A	NATURAL	SOCKET HOUSING FREE HANG. NECTOR* M-LINE 5 POLES	A	0-293615-1
NOTE	POL. KEYING	COLOUR	DESCRIPTION	REV.	PART NUMBER



THIS DRAWING IS A CONTROLLED DOCUMENT.

DIMENSIONS:  
mm



MATERIAL NOTE 1

TOLERANCES UNLESS OTHERWISE SPECIFIED:

0 PLC	±	
1 PLC	±0.3	
2 PLC	±0.20	
3 PLC	±	
4 PLC	±	
ANGLES	±	±3°
FINISH	-	

DWN M. ZUCCA 31MAR2011

CHK M. ZUCCA 31MAR2011

APVD G. TURCO 31MAR2011

PRODUCT SPEC -

APPLICATION SPEC -

WEIGHT -

Customer Drawing



TE Connectivity

NAME  
SOCKET HOUSING FREE HANGING NECTOR M-LINE 5 POLES UNSEALED VERSION

SIZE CAGE CODE DRAWING NO RESTRICTED TO

A300779 C-293615 -

SCALE 2:1 SHEET 2 OF 2 REV A