

5

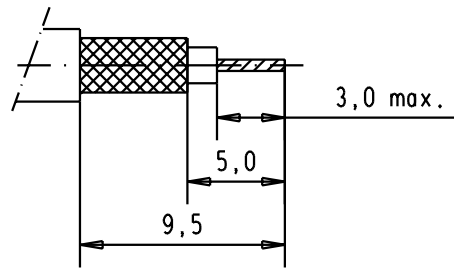
4

3

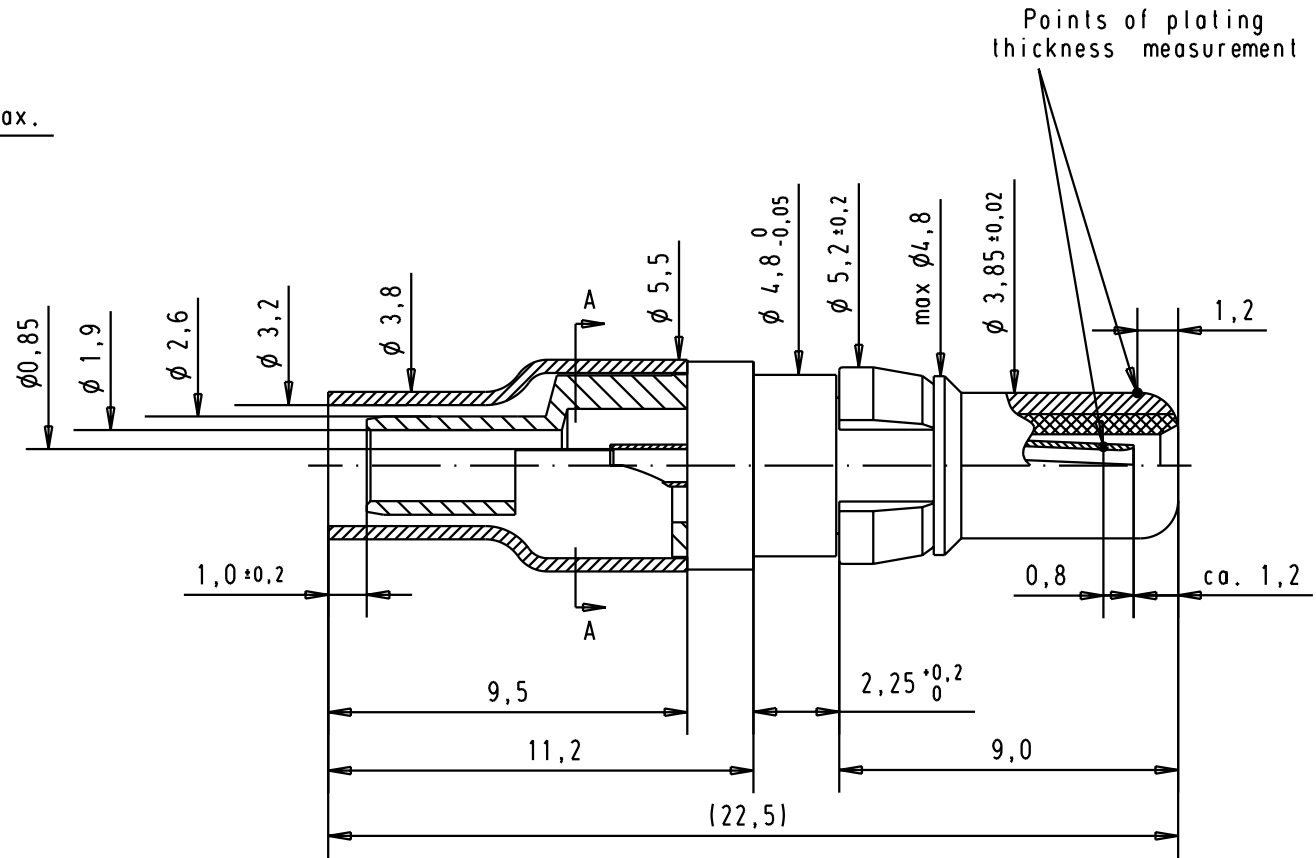
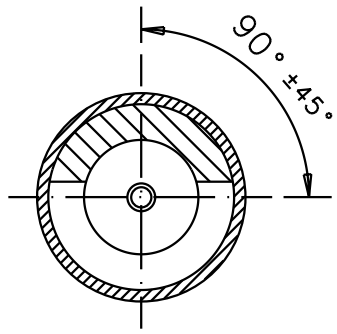
2

1

Harnessing dimensions for cables: RG174U BU, RG188AU, RG316U



Scale 3:1



Crimping tool of outer conductor:

hand tool: 09 99 000 0503 00

die: 09 99 000 0508 00

A

| | | | | | | | | | |
|-------------|------------------|----------------------|----------------------|-------|-----------|------|--------------------------------------|---|--------------------------|
| 09692817140 | Mating area | 0,2 $\mu\text{m Au}$ | 0,2 $\mu\text{m Au}$ | 31057 | 21-JUN-02 | CV | | Male coaxial contact, 50 Ohms, straight cable termination inner conductor for solder termination, outer conductor for solder or crimp termination | Maßstab/ Scale 5:1 |
| | Termination area | 5 $\mu\text{m Sn}$ | 0,2 $\mu\text{m Au}$ | | | | | | |
| 09692815140 | Mating area | 0,8 $\mu\text{m Au}$ | 1,3 $\mu\text{m Au}$ | 31057 | 21-JUN-02 | CV | | TB 09 69 281 x140 | Blatt/ Page 1 / 1 |
| | Termination area | 0,2 $\mu\text{m Au}$ | 1,3 $\mu\text{m Au}$ | | | | | | |
| Part number | Plating | outer conductor | inner conductor | Mod. | Dat. | Name | All Dim. in mm Orig. Size DIN A 4 | Sub. | |

HARTING EURL
F-95972 Paris



TB 09 69 281 x140

Blatt/ Page
1 / 1