

Quatra™ Transformer

SMD Quad Port 10/100BASE-TX Transformer



Product Features:

- Four Port 10/100BASE-TX
- IEEE802.3u Compliant
- UL/EN60950 Recognized
- 100% Electrical Testing
- 1500Vrms Hi-Pot
- Patented Open Frame Construction

Part Number	Circuit	Temp. Range	Auto-MDIX	0.5-30MHz	Return Loss (min)			RoHS ¹
					40MHz	50MHz	60-80MHz	
TG110-AMX2NXLF ²	A	0 to 70°C	✓	-18dB	-15.5dB	-13.6dB	-10dB	Pb-Free
TG110-AMX2NXRL	A	0 to 70°C	✓	-18dB	-15.5dB	-13.6dB	-10dB	RoHS (7a)
TG110-BCM2NXLF ²	A	0 to 70°C	✓	-18dB	-15.5dB	-13.6dB	-10dB	Pb-Free
TG110-BCM2NXRL	A	0 to 70°C	✓	-18dB	-15.5dB	-13.6dB	-10dB	RoHS (7a)
TG110-EMX6NXLF	A	-40 to +85°C	✓	-18dB	-15.5dB	-13.6dB	-10dB	Pb-Free
TG110-EMX6NXRL	A	-40 to +85°C	✓	-18dB	-15.5dB	-13.6dB	-10dB	RoHS (7a)
TG110-6506NXLF	B	0 to 70°C	-	-18dB	-15.5dB	-13.6dB	-10dB	Pb-Free
TG110-6506NXRL	B	0 to 70°C	-	-18dB	-15.5dB	-13.6dB	-10dB	RoHS (7a)
TG110-S450NXLF	C	0 to 70°C	-	-18dB	-15.5dB	-13.6dB	-10dB	Pb-Free
TG110-S450NXRL	C	0 to 70°C	-	-18dB	-15.5dB	-13.6dB	-10dB	RoHS (7a)
TG110-E450NXLF	C	-40 to +85°C	-	-18dB	-15.5dB	-13.6dB	-10dB	Pb-Free
TG110-S452NXLF	D	0 to 70°C	-	-18dB	-15.5dB	-13.6dB	-10dB	Pb-Free
TG110-S452NXRL	D	0 to 70°C	-	-18dB	-15.5dB	-13.6dB	-10dB	RoHS (7a)
TG110-S453NXLF	E	0 to 70°C	-	-18dB	-15.5dB	-13.6dB	-10dB	Pb-Free
TG110-S453NXRL	E	0 to 70°C	-	-18dB	-15.5dB	-13.6dB	-10dB	RoHS (7a)

Notes:

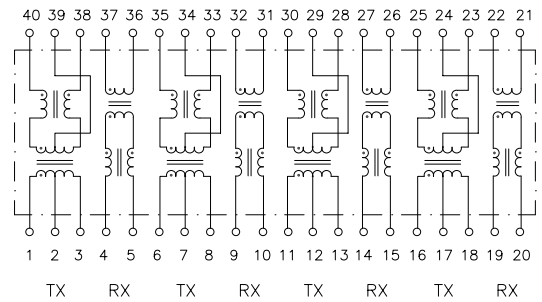
1. Pb-Free parts are RoHS 6/6 compliant. RoHS (7a) parts contain lead per exemption 7a which is set to expire in July 2016.
2. Parts are identical. The TG110-AMX2NXLF is recommended for new designs.
3. Please contact the factory or your local representative for individual datasheets or additional information.
4. Parts with RL suffix are not recommended for new designs.

HALO Quatra 10/100BASE-TX Ethernet Transformers

Circuit A



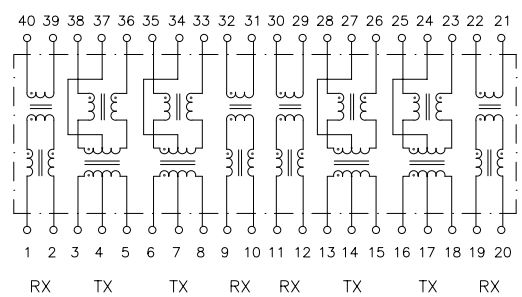
Circuit B



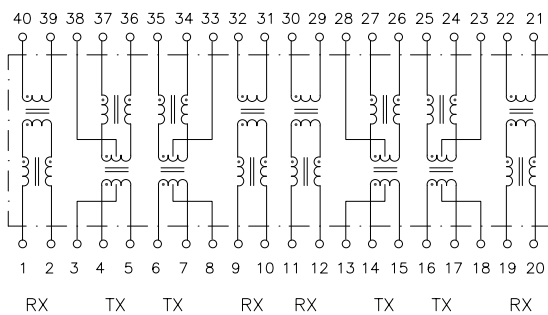
Circuit C



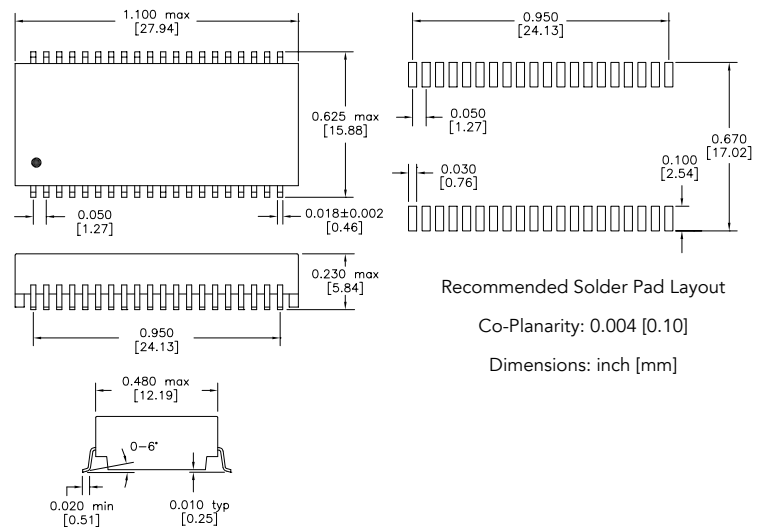
Circuit D



Circuit E



Mechanical



US Patent Numbers:

5,656,985 6,297,721 B1
6,297,720 B1 6,320,489 B1
6,344,785 B1 6,662,431 B1



2880 Lakeside Drive #116
Santa Clara, CA 95054
(650) 903-3800

www.haloelectronics.com

HALO® Electronics is a leading supplier of high quality communication magnetics including signal transformers, filters, CMC chokes, PoE power transformers, DC/DC converters, and integrated Ethernet connectors. HALO's leading edge technology solutions are manufactured in ISO9001 and ISO14001 factories offering high quality products at a competitive price.

© Copyright 2015 HALO Electronics, Inc. All rights reserved.

Revised 8/2015. Download the latest version at www.haloelectronics.com/pdf/discrete-quatra-100baset.pdf