

REVISIONS

P	LTR	DESCRIPTION	DATE	DWN	APVD
A		INITIAL RELEASE	09MAR2015	DL	CW
B		ECR-15-014907	14OCT2015	DL	CW
B1		ECR-16-015492	18NOV2016	QY	CW

NOTES:

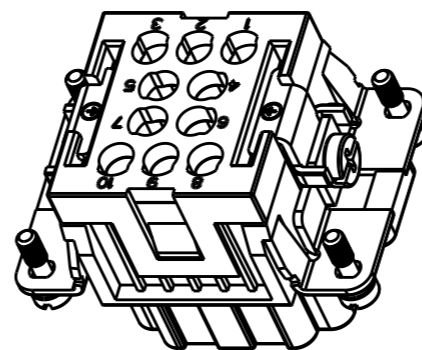
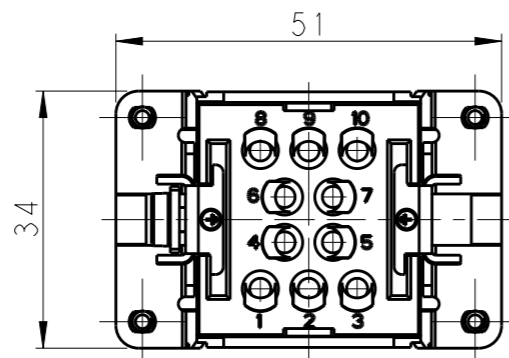
- TECHNICAL CHARACTERISTICS:
 INSULATION MATERIAL: PC
 RATED VOLTAGE: 500 V
 RATED CURRENT: 16 A
 INSULATION RESISTANCE: $\geq 400M\Omega$
 RATED IMPULSE VOLTAGE: 6 KV
 POLLUTION DEGREE: 3
 FLAMMABILITY: UL94V-0
 MATING CYCLES: 500 CYCLES
 WIRE RANGE: 0.14-4 mm² (26-12 AWG)
 CONTACT TYPE: CRIMP CONTACT
- CONTACT NEED TO BE ORDERED SEPARATELY.
 (ORDER No. T20300X20XX-000)

注释:

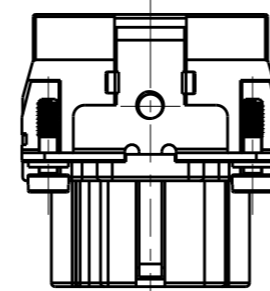
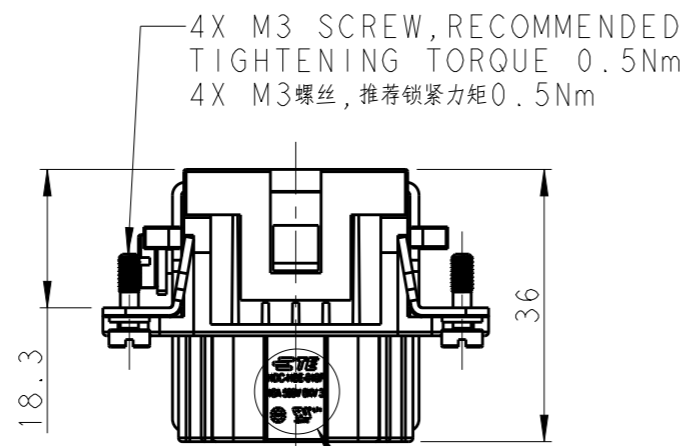
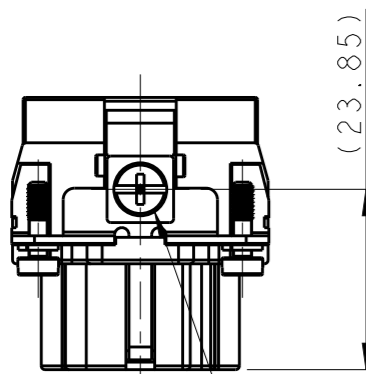
- 技术参数:
 绝缘材料: PC
 额定电压: 500V
 额定电流: 16A
 绝缘电阻: $\geq 400M\Omega$
 额定脉冲电压: 6 KV
 污染等级: 3
 阻燃等级: UL94V-0
 插拔次数: 500次
 接线范围: 0.14-4 mm² (26-12 AWG)
 接线类型: 冷压接
- 端子需要单独订购.
 (订货号 T20300X20XX-000)



DETAIL A
4:1

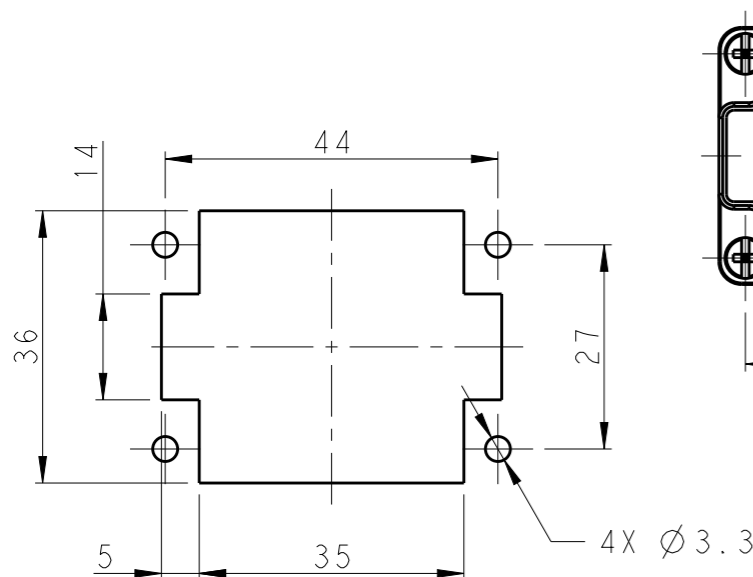


TYPE-1, T2050102201-000, TE LOGO
类型-1, T2050102201-000, TE LOGO

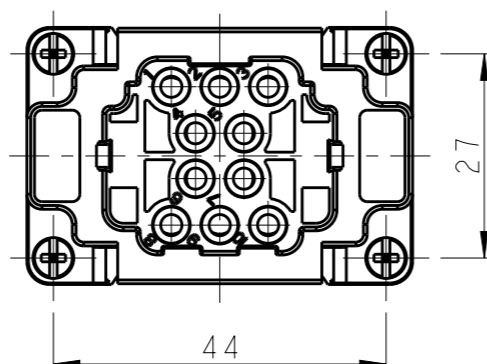


M4 SCREW, RECOMMENDED TIGHTENING TORQUE 1.2Nm
M4螺丝, 推荐锁紧力矩1.2Nm

DETAIL A



PANEL CUT FOR INSERTS FOR USING WITHOUT HOODS/ HOUSINGS
不使用防护外壳时芯件的安装开孔图



THIS DRAWING IS A CONTROLLED DOCUMENT.		DWN DAVID LI 09MAR2015	TE Connectivity	
DIMENSIONS: mm		CHK CHRIS WANG 09MAR2015		
TOLERANCES UNLESS OTHERWISE SPECIFIED:		APVD XU XIANG 09MAR2015	NAME HEE-010-F	
0 PLC ±-		PRODUCT SPEC 108-106137	SIZE A3	
1 PLC ±-		APPLICATION SPEC 114-106137	CAGE CODE -	
2 PLC ±-		WEIGHT -	DRAWING NO. T2050102201000	
3 PLC ±-		Customer Drawing	RESTRICTED TO -	
4 PLC ±-			SCALE 1:1 SHEET 1 OF 3 REV B1	
ANGLES ±-				
FINISH -				
MATERIAL -				

THIS DRAWING IS UNPUBLISHED.

RELEASED FOR PUBLICATION

20

© COPYRIGHT 20 BY -

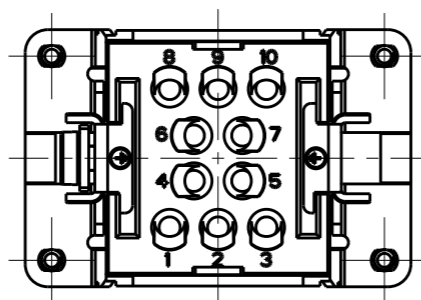
ALL RIGHTS RESERVED.

REVISIONS

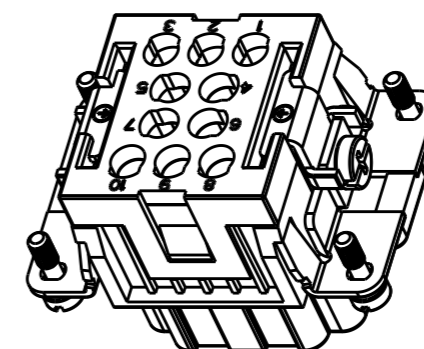
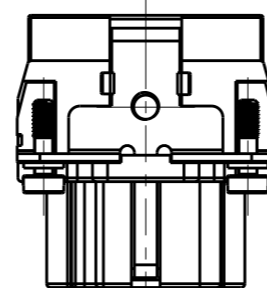
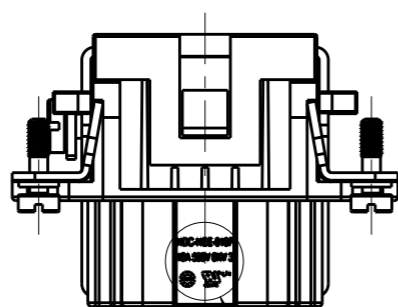
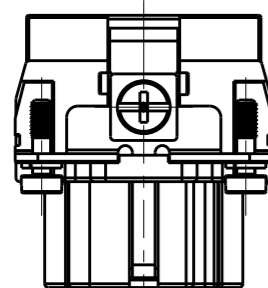
P	LTR	DESCRIPTION	DATE	DWN	APVD
-		SEE SHEET 1	-	-	-



DETAIL B
4:1

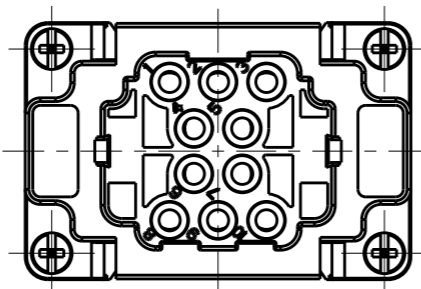


NOTE:
SEE SHEET 1
注释:
见页 1



DETAIL B

TYPE-2, T2059102201-000, NO TE LOGO
类型-2, T2059102201-000, 无TE LOGO



ALL SPEC DIMENSION REFER TO TYPE 1
所有产品规格尺寸参照 TYPE 1

THIS DRAWING IS A CONTROLLED DOCUMENT.		DWN DAVID LI 09MAR2015	TE Connectivity		
DIMENSIONS: mm		CHK CHRIS WANG 09MAR2015			
TOLERANCES UNLESS OTHERWISE SPECIFIED:		APVD XU XIANG 09MAR2015	NAME HEE-010-F		
0 PLC ±- 1 PLC ±- 2 PLC ±- 3 PLC ±- 4 PLC ±- ANGLES ±-		PRODUCT SPEC 108-106137	RESTRICTED TO		
MATERIAL		APPLICATION SPEC 114-106137	SIZE A3	CAGE CODE -	DRAWING NO T2050102201000
FINISH		WEIGHT -	SCALE 1:1		SHEET 2 OF 3
		Customer Drawing	REV B1		

4

3

2

1

THIS DRAWING IS UNPUBLISHED.

RELEASED FOR PUBLICATION

20

© COPYRIGHT 20 BY -

ALL RIGHTS RESERVED.

REVISIONS

P	LTR	DESCRIPTION	DATE	DWN	APVD
-		SEE SHEET 1	-	-	-

NOTE:
SEE SHEET 1
注释:
见页 1

TYPE-3, T2050102201-001, STAINLESS STEEL SCREW, NO LOGO
类型-3, T2050102201-001, 不锈钢螺丝, 无LOGO

ALL SPEC DIMENSION REFER TO TYPE 1
所有产品规格尺寸参照 TYPE 1

T2050102201-001	HEE-010-F	HEE-010 FEMALE INSERT, STAINLESS STEEL SCREW, NO LOGO HEE-010 母插, 不锈钢螺丝, 无LOGO	TYPE-3 类型-3
T2059102201-000	HEE-010-F	HEE-010 FEMALE INSERT, NO TE LOGO HEE-010 母插, 无TE LOGO	TYPE-2 类型-2
T2050102201-000	HEE-010-F	HEE-010 FEMALE INSERT HEE-010 母插	TYPE-1 类型-1
PART NUMBER 料号	PART DESCRIPTION 描述		TYPE 类型

THIS DRAWING IS A CONTROLLED DOCUMENT.

DIMENSIONS:

mm

TOLERANCES UNLESS OTHERWISE SPECIFIED:

0 PLC	±-
1 PLC	±-
2 PLC	±-
3 PLC	±-
4 PLC	±-
ANGLES	±-
FINISH	-

MATERIAL

-

-

DWN 09MAR2015

DAVID LI

CHK 09MAR2015

CHRIS WANG

APVD 09MAR2015

XU XIANG

PRODUCT SPEC

108-106137

APPLICATION SPEC

114-106137

WEIGHT

-

NAME

HEE-010-F

SIZE

A3

CAGE CODE

-

DRAWING NO

©-T2050102201000

RESTRICTED TO

-

Customer Drawing

SCALE

1:1

SHEET

3

OF

3

REV

B1

1470-19 (3/13)