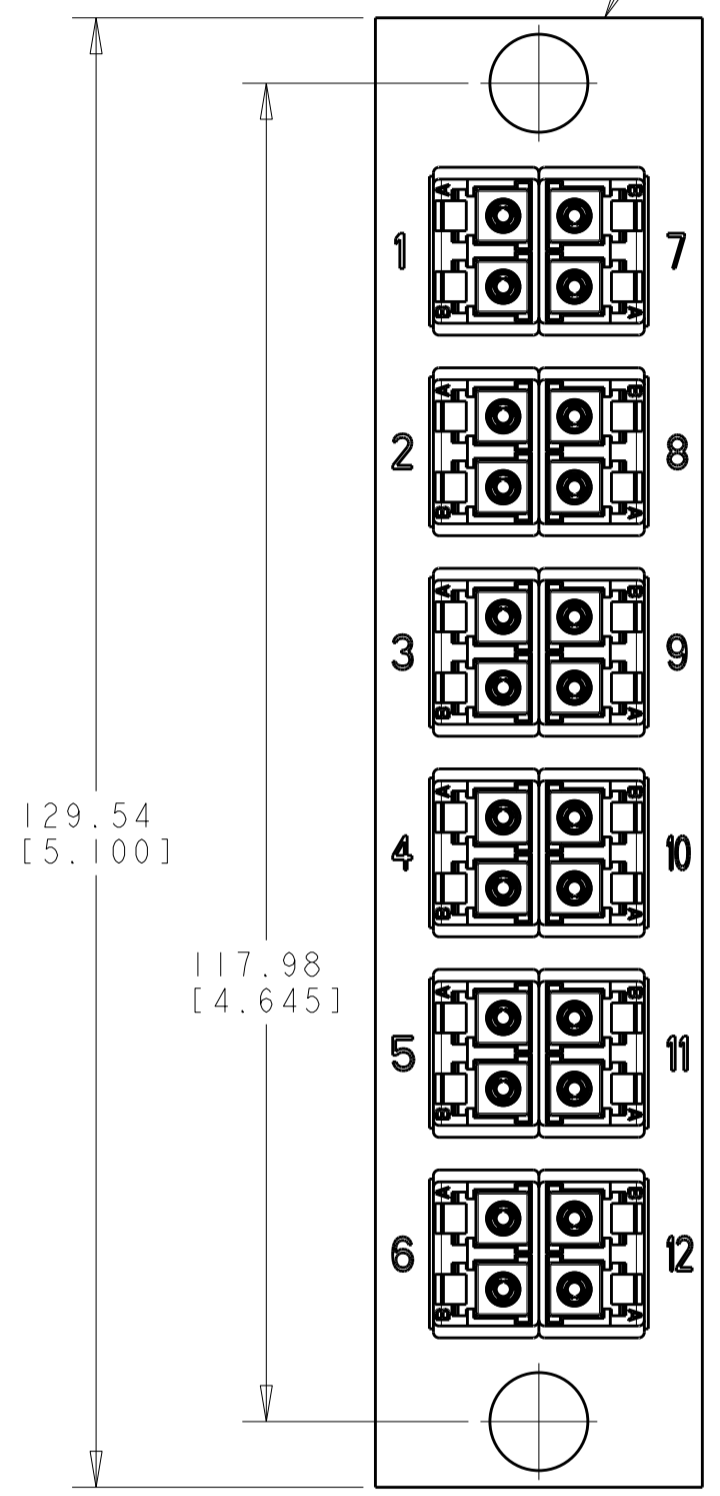


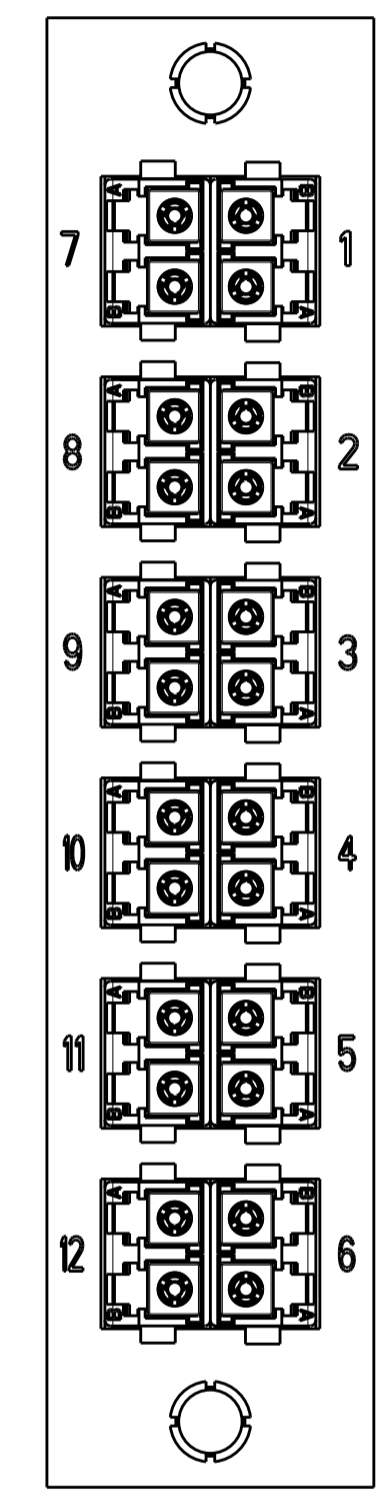
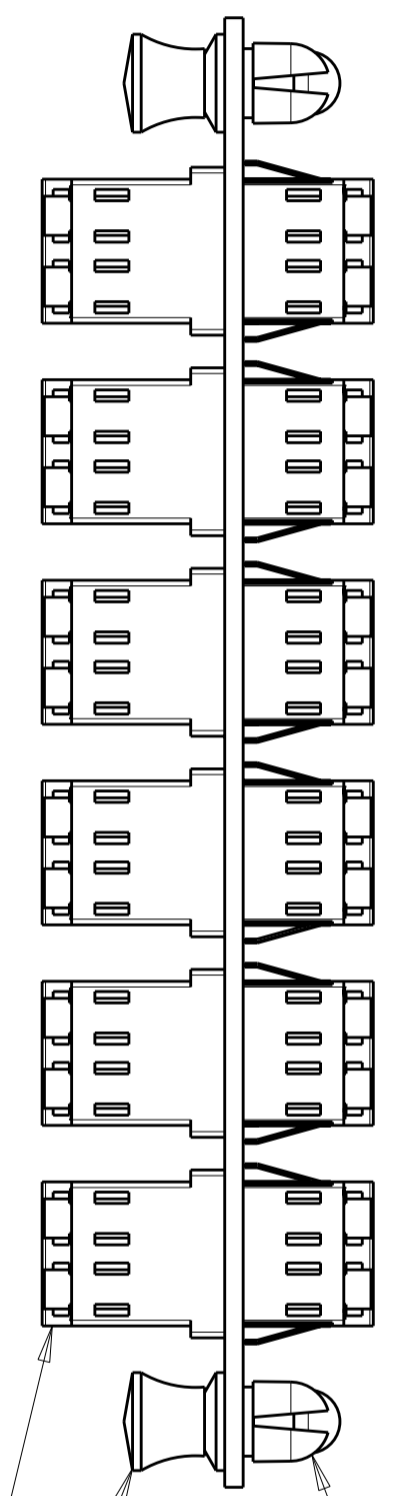
THIS DRAWING IS UNPUBLISHED. RELEASED FOR PUBLICATION 20
 © COPYRIGHT 20 BY TYCO ELECTRONICS CORPORATION. ALL RIGHTS RESERVED.

LOC	DIST	REVISIONS			
P	LTR	DESCRIPTION	DATE	DWN	APVD
HM	00	A	RLSD; NSD08-057	24JUN2008	GG BB

ADAPTER PLATE
 MATERIAL: ALUMINUM
 FINISH: BLACK POWDER COAT



FRONT VIEW

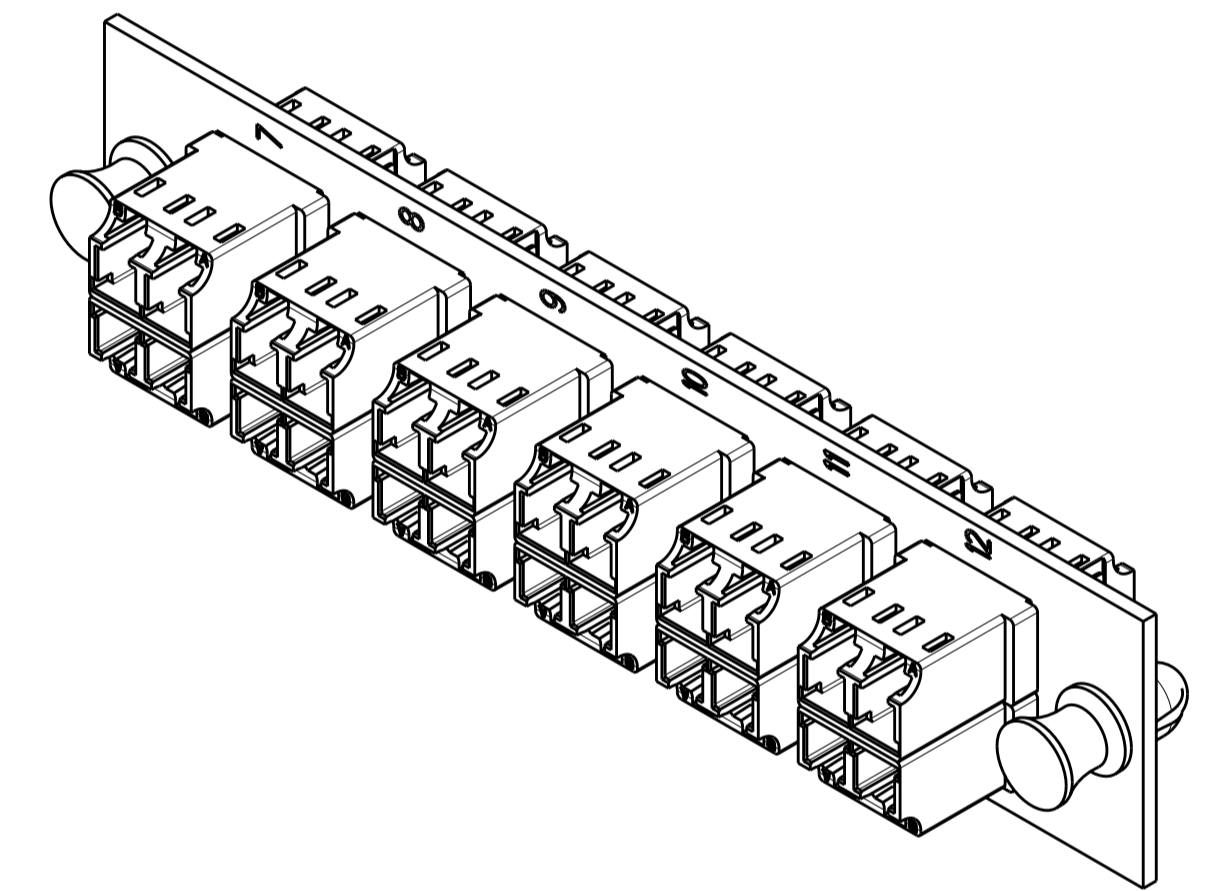


BACK VIEW

LC DUPLEX ADAPTER
 MATERIAL: THERMOPLASTIC

PLUNGER, FASTENER
 MATERIAL: NYLON
 COLOR: BLACK

GROMMET, FASTENER
 MATERIAL: NYLON
 COLOR: BLACK



ALIGNMENT SLEEVE	ADAPTER COLOR	DESCRIPTION	PART NO.
CERAMIC	GREEN	SINGLEMODE	1777234-5
CERAMIC	AQUA	MULTIMODE	1777234-4
CERAMIC	BLACK	MULTIMODE	1777234-3
CERAMIC	BEIGE	MULTIMODE	1777234-2
CERAMIC	BLUE	SINGLEMODE	1777234-1

THIS DRAWING IS A CONTROLLED DOCUMENT FOR TYCO ELECTRONICS CORPORATION. IT IS SUBJECT TO CHANGE AND THE CONTROLLING ENGINEERING ORGANIZATION SHOULD BE CONTACTED FOR THE LATEST REVISION.

DWN	G. GARRETT	24JUN2008	Tyco Electronics Harrisburg, PA 17105-3608			
CHK	B. BARRY	24JUN2008				
APVD	B. BARRY	24JUN2008				
NAME	ADAPTER PLATE ASSY 12 PORT, LC					
DIMENSIONS:	TOLERANCES UNLESS OTHERWISE SPECIFIED:		SIZE	CAGE CODE	DRAWING NO	RESTRICTED TO
MM [INCHES]	0 PLC ± 1 PLC ±0.1 2 PLC ±0.01 3 PLC ±0.001 4 PLC ±0.0001 ANGLES ± FINISH		A2	00779	C-177234	-
MATERIAL	-		WEIGHT	-		SCALE
CUSTOMER DRAWING			SHEET	OF	REV	A