

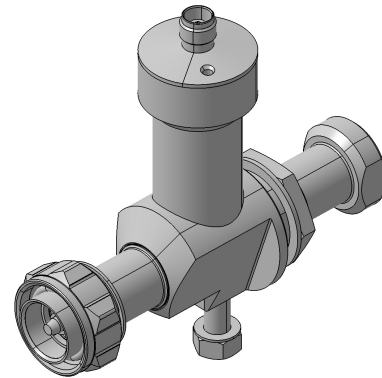
EMP Protector 3410.41.0038

Description

High-power/low-IM GDT hybrid technology with bias-T

Benefits

- Broad-band design
- Replaceable GDT 9071.99.0548, (90 V) included
- AISG compliant for 2.176 MHz carrier
- Mounting screw set included
- Compliant to IEC 61643-21



Product Configuration

Main path connectors	Port 1: <u>unprotected</u> , 7/16 plug (male) - Port 2: <u>protected</u> , 7/16 jack (female)
DC injection port connector	Port 3: TNC jack (female)
Mounting and grounding	MH110 (bulkhead mounting), M8 (screw), brk (bracket)
Side of bulkhead	protected side

Technical Data

Electrical Data

Impedance	50 Ω	
Frequency range	2.176 MHz	690 - 2700 MHz
Return loss	20 dB typ.	≥ 26 dB
Insertion loss	0.2 dB typ.	≤ 0.2 dB
RF CW power		≤ 500 W
PIM 3rd order		-155 dBc max.

DC Injection port decoupling	≥30 dB
DC supply voltage	≤ 48 V
DC injection current	≤ 3.5 A
Surge current handling capability	30 single / 20 multiple kA (test pulse 8/20 μs)
Residual pulse energy	20 μJ typically (test pulse 4 kV 1.2/50 μs / 2 kA 8/20 μs) main path - protected side 300 μJ typically (test pulse 4 kV 1.2/50 μs / 2 kA 8/20 μs) DC injection port

Mechanical Data

Number of matings	500
Weight	570 g

Environmental Data

Operating temperature	-40 °C to +85 °C
Waterproof degree	IP67 (according to IEC 60529, data refer to the coupled state)
2011/65/EU (RoHS - including 2015/863 and 2017/2102)	compliant

Material Data

Piece Parts	Material	Surface Plating
Housing	Brass	SUCOPLATE (R) Plating
Port 1 center contact	Brass	Silver Plating
Port 2 center contact	Bronze	Silver Plating

Related Documents

Outline drawing	DOU-00275610
Mounting instruction	DOC-0000471434

Remarks

- Supports DC feed between and AISG signal between port 3 and port 1
- Resistance DC injection port 3: < 10 mOhm
- Recommended port 3 cable assembly material:

EMP Protector 3410.41.0038

connector: 11_TNC-50-2-27 (84101205) and
heat shrink tubing adhesive: (90056301)

Mouser Electronics

Authorized Distributor

Click to View Pricing, Inventory, Delivery & Lifecycle Information:

[HUBER+SUHNER:](#)

[3410.41.0038](#)