



## DC/DC converters PS Part number 88950321



- Power supplies for extended power ranges
- Provide your devices with a constant supply voltage
- Primary/secondary isolation

### Part numbers

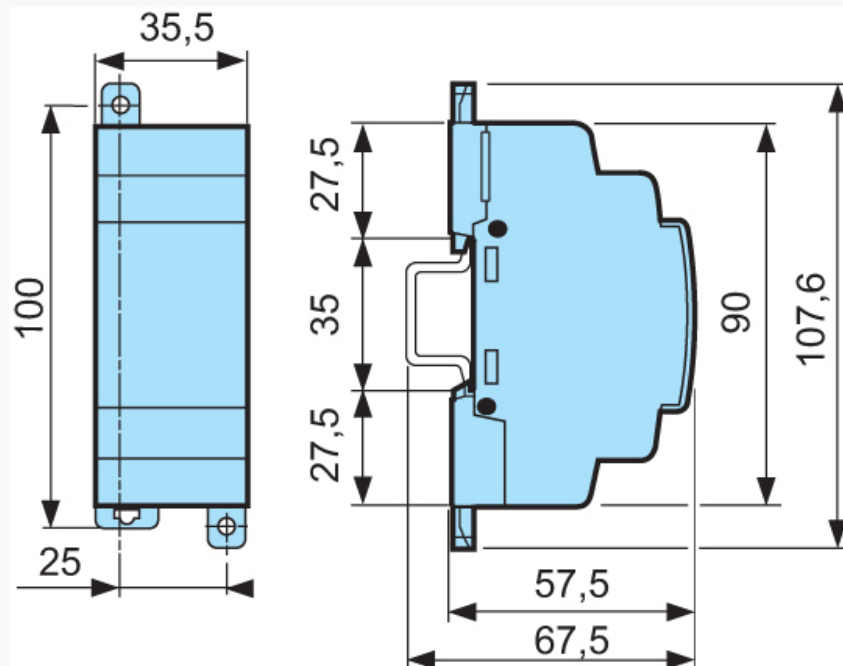
	Type	Input	Output	Nominal power
88950321	PS	9,2-36 V DC	24 V DC	6 → 10 W

### Specifications

#### General characteristics

Certifications	CE	CE
Output voltage	12 V DC ± 5 %	24 V DC ± 5 %
Overshoot	20 V DC max.	40 V DC max.
Input limits	9,2 → 18 V DC (10 W available)	16 → 36 V DC (10 W available) 9,2 → 16 V DC (see graph)
Isolation primary / secondary	1500 V DC	1500 V DC
Operating temperature	-30 → +70 °C	-30 → +70 °C
Storage temperature (°C)	-40 → +80 °C	-40 → +80 °C
Immunity from micro power cuts	A 10 W : > 1 ms for 9,2 V < U < 12 V 5 ms for U ≥ 12 V A 6 W : > 5 ms for all voltage range	A 10 W : > 1 ms for 16 V < U < 18 V 5 ms for U ≥ 18 V A 6 W : > 1 ms for U < 12 V > 5 ms for 12 V ≤ U < 18 V > 10 ms for U ≥ 18 V

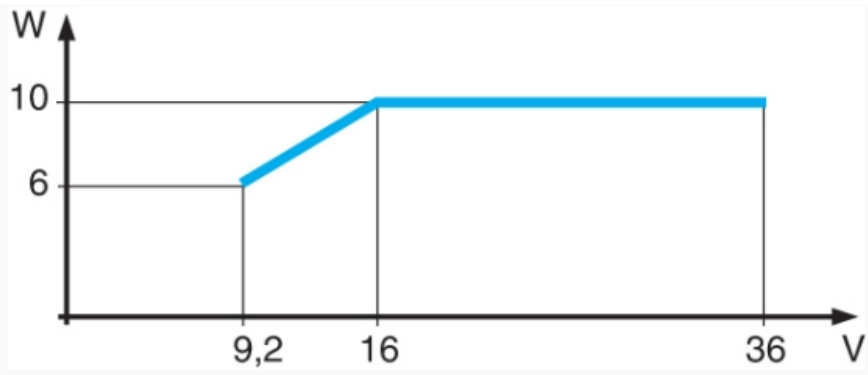
### Dimensions (mm)



mm

### Curves

#### Input limits



#### Product adaptations



- Tropicalisation
- Integration in a resin board version