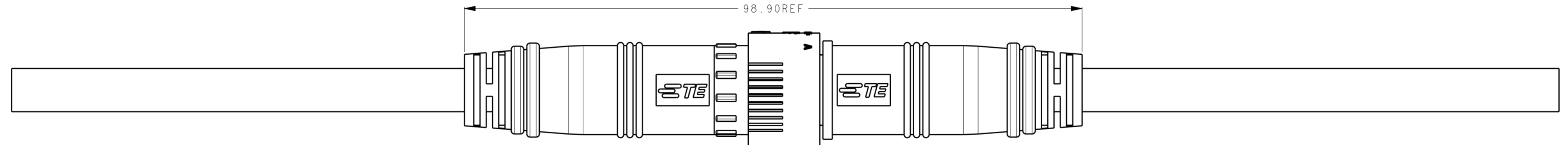
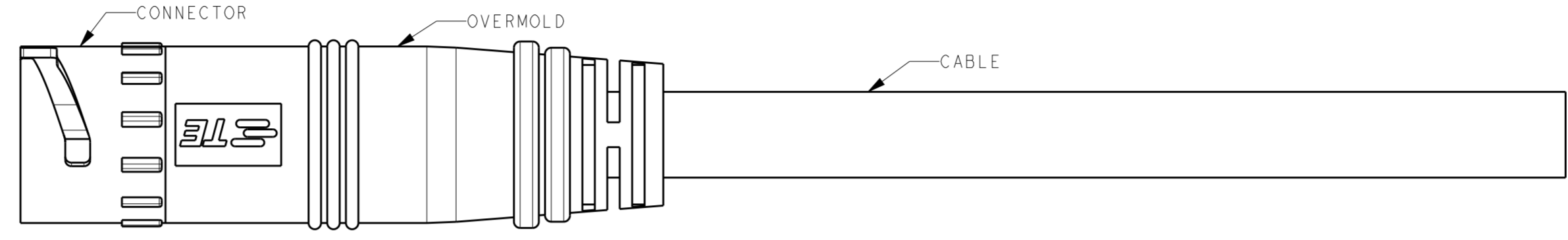
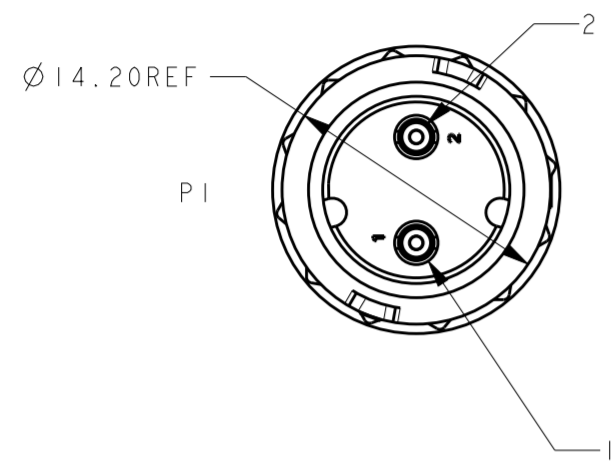


THIS DRAWING IS UNPUBLISHED. RELEASED FOR PUBLICATION 20
 © COPYRIGHT 20 BY - ALL RIGHTS RESERVED.

LOC	DIST	REVISIONS					
		P	LTR	DESCRIPTION	DATE	DWN	APVD
-	-	A		RELEASE	02APR2015	M.S	X.X
		AI		UPDATE TABLE	16APR2015	M.S	X.X
		B		ECR-16-015004	25OCT2016	M.S	X.X
		BI		ECR-17-000249	05JAN2017	M.S	X.X



MATE WITH 2834000 SERIES

PI	WIRE COLOR	P2
P1-1	WHITE	-
P1-2	BLACK	-

NOTES:
 1. MATE WITH 2834000 SERIES.
 2. RATINGS:
 VOLTAGE: 300V AC/DC
 CURRENT: 7A MAX.
 TEMPERATURE: 80°C

P/N	CABLE	DIM A	L (mm)
9-2834001-1	RUBBER (THERMOPLASTIC ELASTOMER TYPE)	Ø 7.6	150±5
9-2834001-2			250±10
9-2834001-3			500±15
9-2834001-4			1000±15

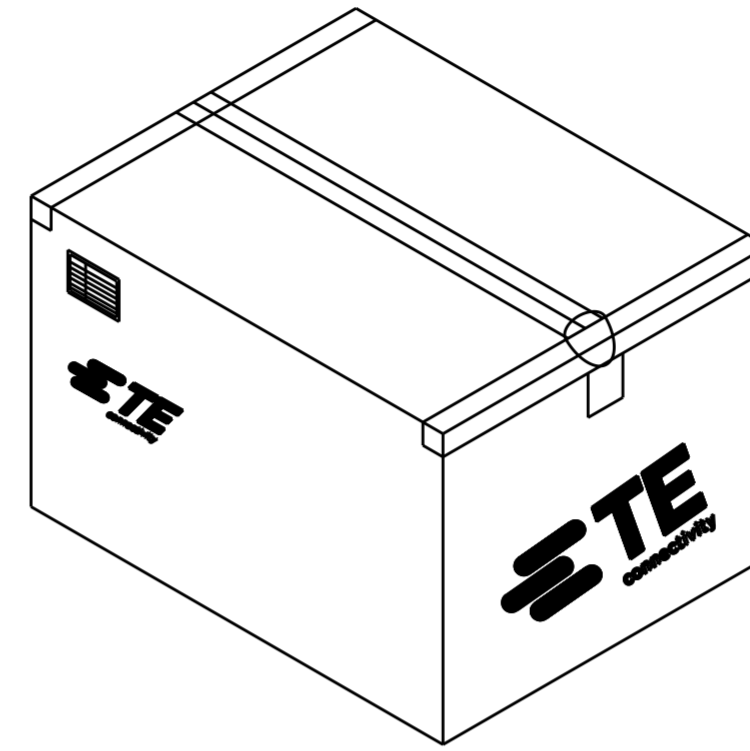
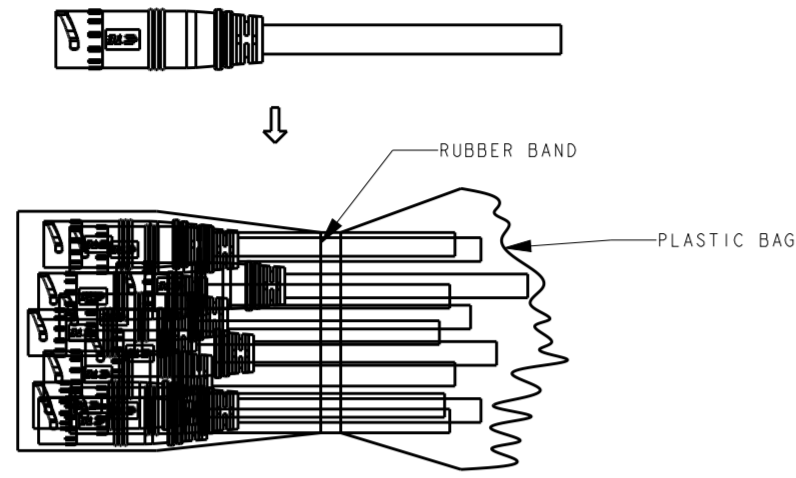
THIS DRAWING IS A CONTROLLED DOCUMENT.		DWN SHI MING 10SEP2014	STE TE Connectivity	
DIMENSIONS: mm		CHK SHI MING 10SEP2014		
TOLERANCES UNLESS OTHERWISE SPECIFIED: 0 PLC ±- 1 PLC ±1.0 2 PLC ±0.5 3 PLC ±0.3 4 PLC ± ANGLES ±- FINISH		APVD XU XIANG 10SEP2014	NAME 2P FEMALE CABLE ASSEMBLY CIRCULAR LIGHTING SEALED CONN.	
MATERIAL		PRODUCT SPEC 108-137041	SIZE A2	
		APPLICATION SPEC 114-137041	DRAWING NO C-2834001	
		WEIGHT	RESTRICTED TO	
		Customer Drawing	SCALE NTS SHEET 1 OF 2 REV BI	

THIS DRAWING IS UNPUBLISHED. RELEASED FOR PUBLICATION 20
 © COPYRIGHT 20 BY - ALL RIGHTS RESERVED.

LOC		DIST		REVISIONS			
P	LTR	DESCRIPTION	DATE	DWN	APVD		
-	-	SEE SHEET 1	-	-	-		

1. PUT PIECES OF PARTS INTO THE PLASTIC BAG, AND SEALED WITH RUBBER BAND AS 1 BUNCH.

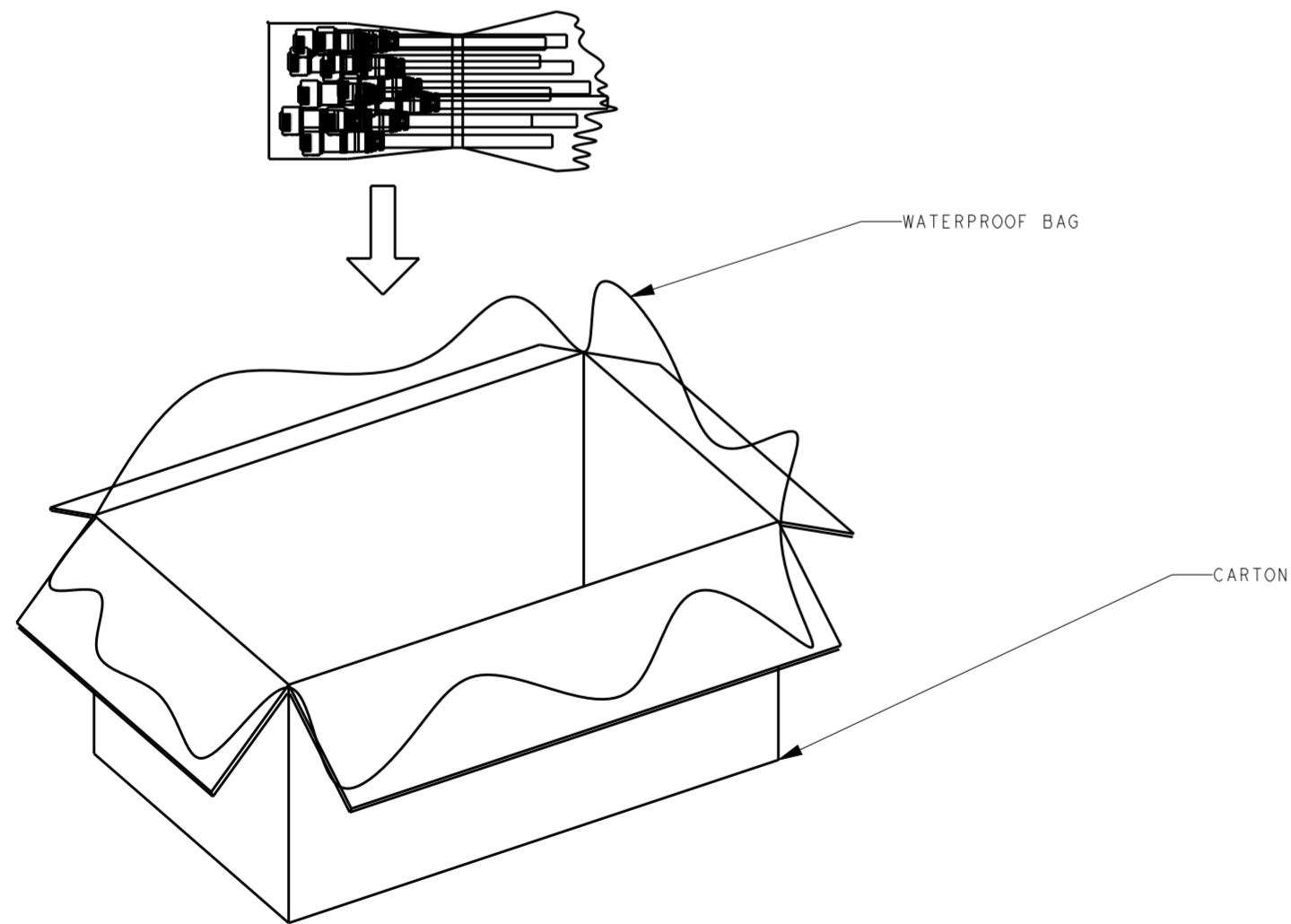
3. SEAL THE CARTON.



2. PUT BUNCHES OF PARTS INTO CARTON.

4. PACKAGING QUANTITIES(REFER TO SHEET 1 FOR PN DEFINITION):

P/N	PARTS PER CARTON (PCS)
9-2834001-1	500
9-2834001-2	260
9-2834001-3	90
9-2834001-4	60



THIS DRAWING IS A CONTROLLED DOCUMENT.		DWN SHI MING 10SEP2014																					
DIMENSIONS: mm		CHK SHI MING 10SEP2014																					
TOLERANCES UNLESS OTHERWISE SPECIFIED:		APVD XU XIANG 10SEP2014																					
<table border="0"> <tr><td>0 PLC</td><td>±</td><td>-</td></tr> <tr><td>1 PLC</td><td>±</td><td>1.0</td></tr> <tr><td>2 PLC</td><td>±</td><td>0.5</td></tr> <tr><td>3 PLC</td><td>±</td><td>0.3</td></tr> <tr><td>4 PLC</td><td>±</td><td>-</td></tr> <tr><td>ANGLES</td><td>±</td><td>-</td></tr> <tr><td>FINISH</td><td>±</td><td>-</td></tr> </table>		0 PLC			±	-	1 PLC	±	1.0	2 PLC	±	0.5	3 PLC	±	0.3	4 PLC	±	-	ANGLES	±	-	FINISH	±
0 PLC	±	-																					
1 PLC	±	1.0																					
2 PLC	±	0.5																					
3 PLC	±	0.3																					
4 PLC	±	-																					
ANGLES	±	-																					
FINISH	±	-																					
MATERIAL -		PRODUCT SPEC 108-137041	SIZE A2	CAGE CODE -	DRAWING NO C-2834001	RESTRICTED TO -																	
		APPLICATION SPEC 114-137041	SCALE NTS	SHEET 2	OF 2	REV B1																	
		WEIGHT -	Customer Drawing																				