

THIS DRAWING IS UNPUBLISHED.

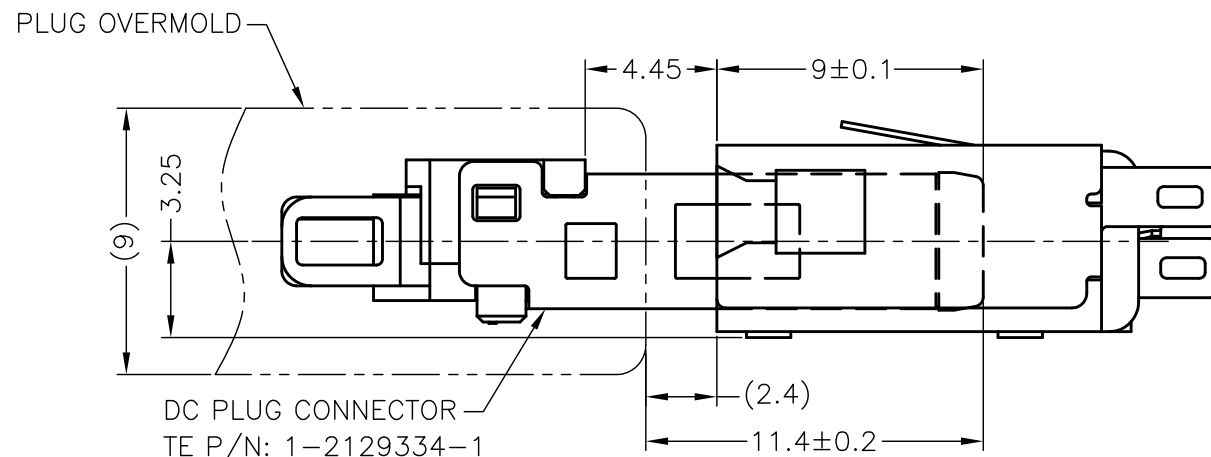
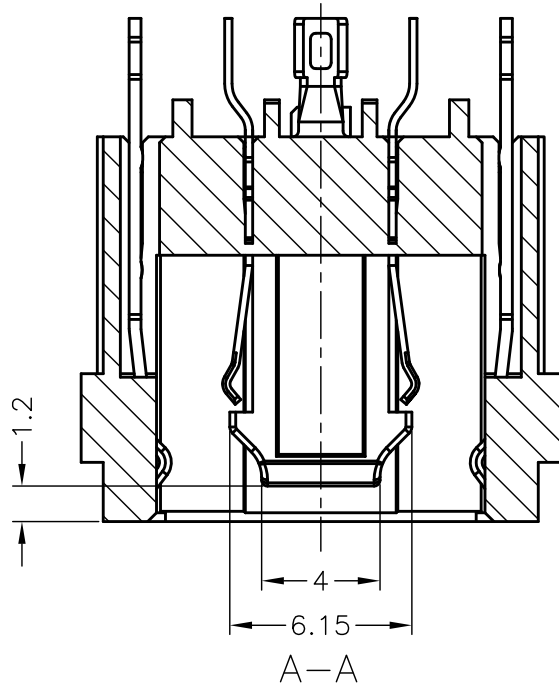
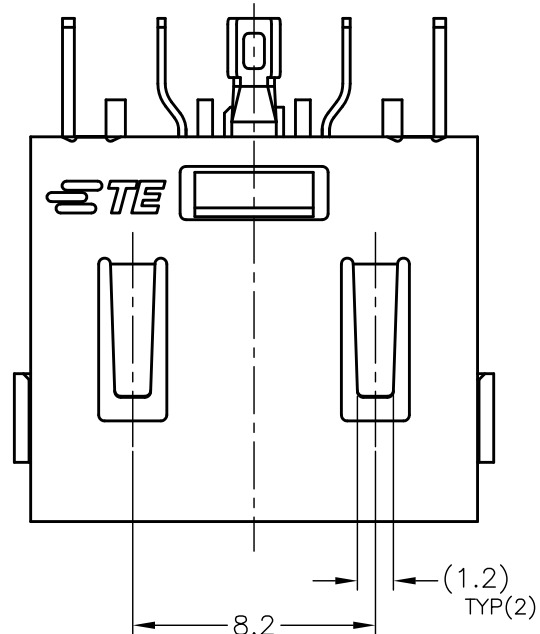
RELEASED FOR PUBLICATION

ALL RIGHTS RESERVED.

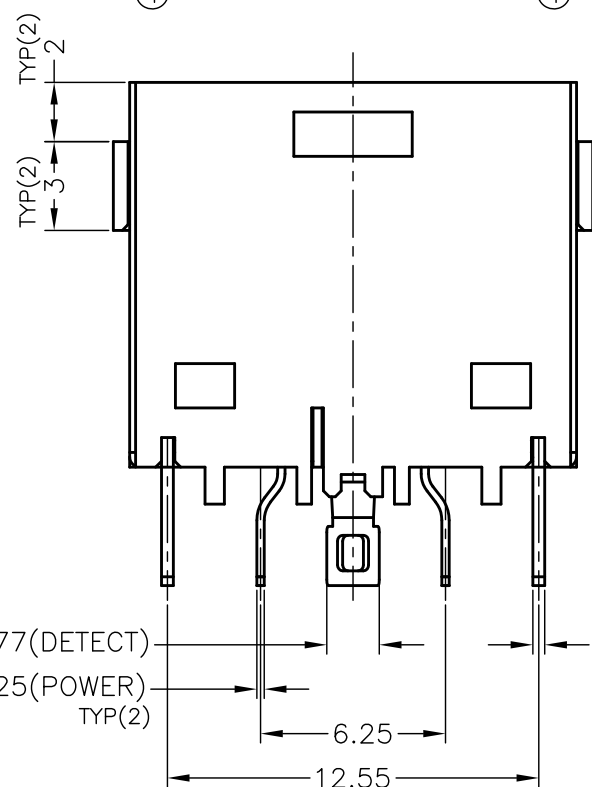
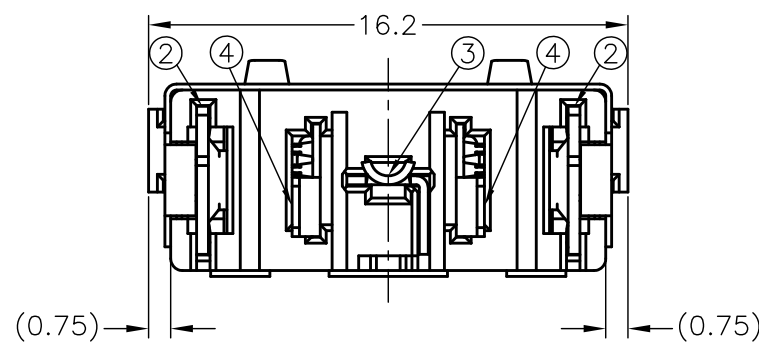
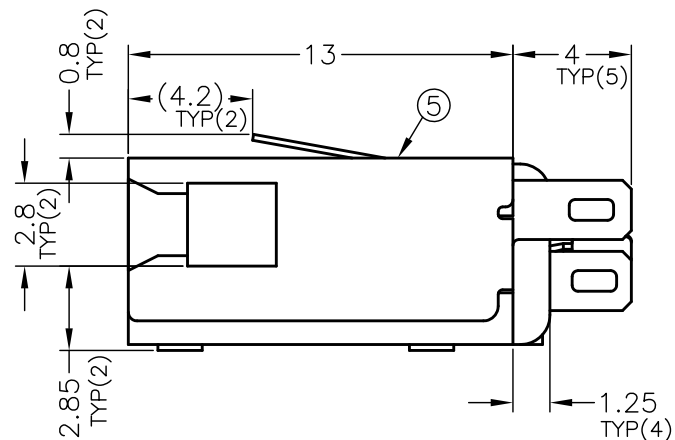
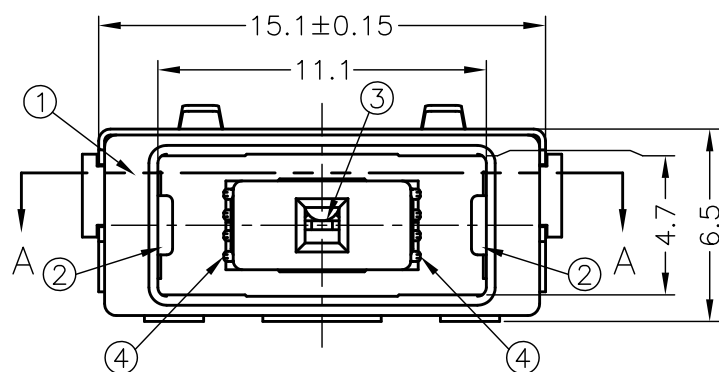
© COPYRIGHT - By -

LOC	DIST	REVISIONS			
P	LTR	DESCRIPTION	DATE	DWN	APVD
DW	/	A	RELEASED	14JUN13	S.H V.P

2129567-1; AS SHOWN



MATING CONDITION



1		STAINLESS STEEL	SHELL	⑤
2	0.0002mm GOLD PLATING ON CONTACT AREA, 0.002mm MATTE TIN PLATING ON SOLDER AREA, 0.002mm MIN. NICKEL UNDERPLATED ALL OVER	COPPER ALLOY	POWER CONTACT	④
1	0.0002mm GOLD PLATING ON CONTACT AREA, 0.002mm MATTE TIN PLATING ON SOLDER AREA, 0.002mm MIN. NICKEL UNDERPLATED ALL OVER	COPPER ALLOY	DETECT CONTACT	③
2	0.0002mm GOLD PLATING ON CONTACT AREA, 0.002mm MATTE TIN PLATING ON SOLDER AREA, 0.002mm MIN. NICKEL UNDERPLATED ALL OVER	COPPER ALLOY	GROUND CONTACT	②
1	BLACK	HIGH TEMP. THERMO-PLASTIC(UL94V-0)	HOUSING	①
Q'TY	FINISH/COLOR	MATERIAL	PART NAME	NO.

THIS DRAWING IS A CONTROLLED DOCUMENT.		DWN S.HUANG 14JUN2013	TE Connectivity	
		CHK V.PENG 14JUN2013		
		APVD V.PENG 14JUN2013	NAME	
DIMENSIONS: mm		PRODUCT SPEC		DC POWER JACK CONNECTOR CABLE TYPE, 10.7A
		108-99040		
TOLERANCES UNLESS OTHERWISE SPECIFIED:		APPLICATION SPEC		RESTRICTED TO
0 PLC ± 1 PLC ± 2 PLC ± ±0.25 3 PLC ± ±3° 4 PLC ± ANGLES ±		WEIGHT		
MATERIAL SEE TABLE		CUSTOMER DRAWING		SIZE A3
		CAGE CODE 00779		DRAWING NO. 2129567
		SCALE 4:1		SHEET 1 OF 2
				REV A

4

3

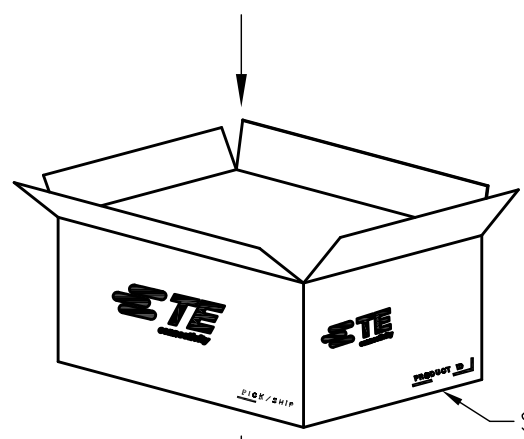
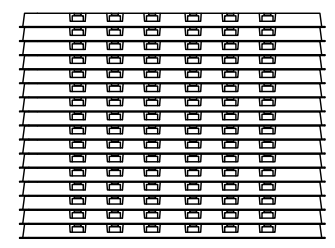
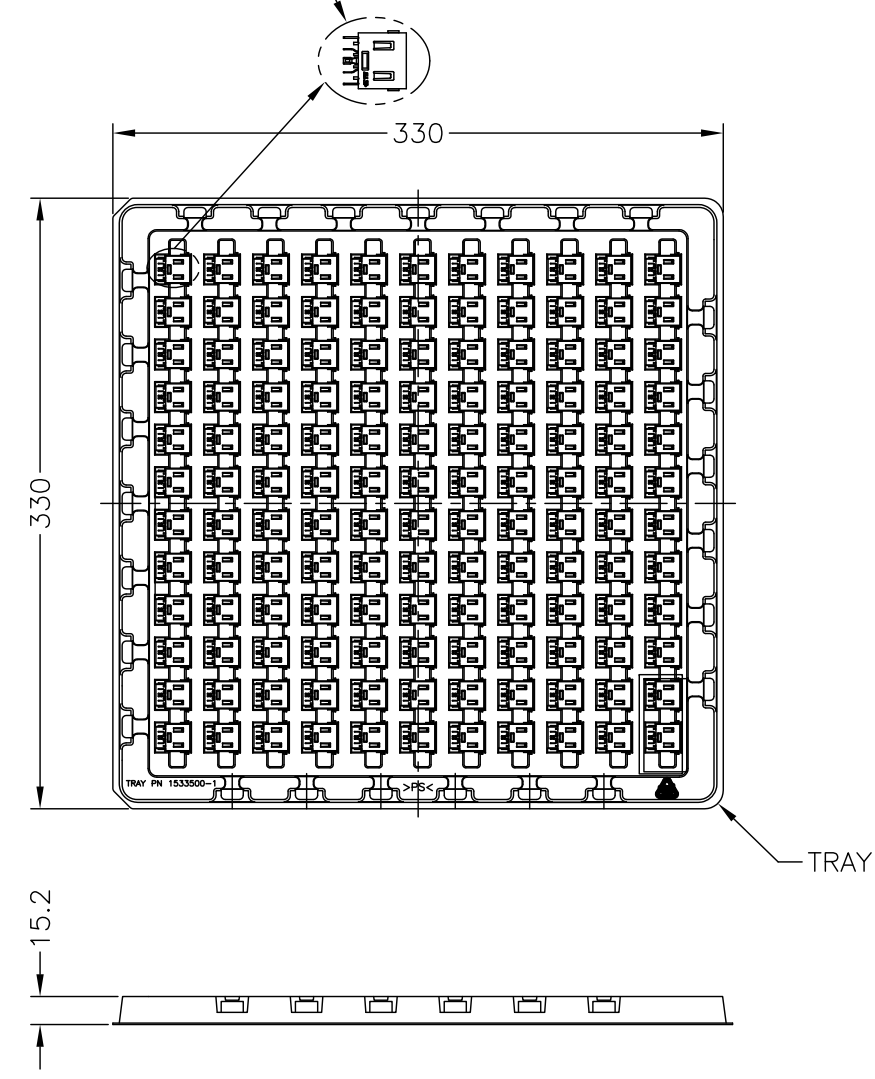
2

1

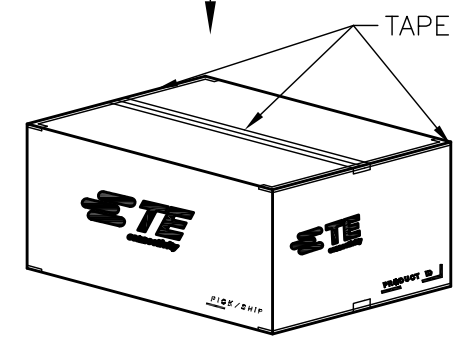
THIS DRAWING IS UNPUBLISHED. RELEASED FOR PUBLICATION
 © COPYRIGHT - By - ALL RIGHTS RESERVED.

LOC	DIST	REVISIONS				
P	LTR	DESCRIPTION	DATE	DWN	APVD	
DW	/	SEE SHEET 1	-	-	-	

DC POWER JACK CONNECTOR
 TE P/N: 2129567-1



SHIPPING BOX



TAPE

1. EU ROHS-RELATED RESTRICTED SUBSTANCE SPEC IN HOMOGENEOUS MATERIAL REFER TO TEC-138-702 REV.G:
 LEAD < 1000PPM, CADMIUM < 100PPM, MERCURY < 1000PPM
 CHROMIUM VI < 1000PPM, PBB <1000PPM, PBDE < 1000PPM
2. HALOGEN FREE SPEC:
 CHLORINE (Cl): 900 ppm MAX.
 BROMINE (Br): 900 ppm MAX.
 CHLORINE (Cl) + BROMINE (Br): 1500 ppm MAX.
3. SHIPPING BOX DIMENSION: 445mmX445mmX270mm

132	25	3300
PCS/TRAY	TRAY/SHIPPING BOX	TOTAL Q'TY

THIS DRAWING IS A CONTROLLED DOCUMENT.		DWN		TE Connectivity	
DIMENSIONS: mm		CHK			
		APVD		NAME	
TOLERANCES UNLESS OTHERWISE SPECIFIED:		PRODUCT SPEC		DC POWER JACK CONNECTOR	
0 PLC ± -		APPLICATION SPEC		CABLE TYPE, 10.7A	
1 PLC ± -		WEIGHT		SIZE	
2 PLC ± - ±0.25		CUSTOMER DRAWING		CAGE CODE	
3 PLC ± - ±3'				DRAWING NO	
4 PLC ± -				RESTRICTED TO	
ANGLES ± -				A3 00779	
MATERIAL				C-2129567	
FINISH				SCALE	
				NA	
				SHEET	
				2 OF 2	
				REV	
				A	