

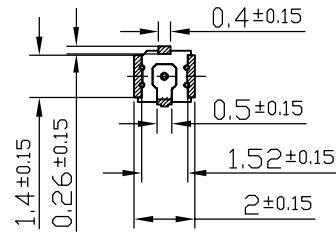
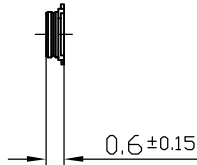
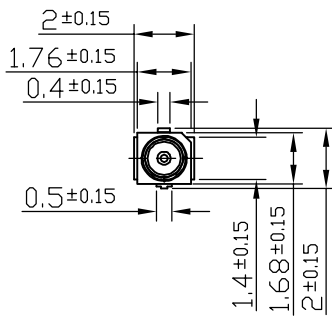
ISO NO: EDW-11-8-647

REV	ZONE	DESCRIPTION	ENG	APPROVED	ISSUED DATE
△	ALL	Initial Design	Kiwi		2011/11/7

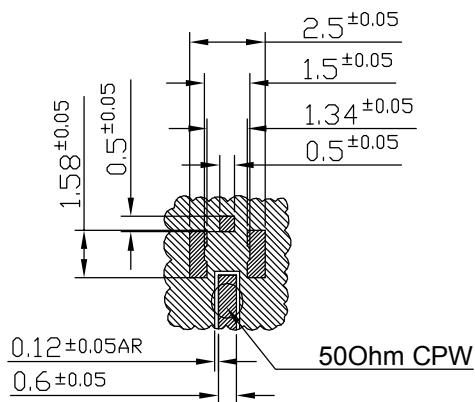
Top

Side

Bottom



PCB Footprint

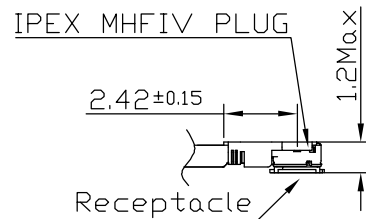


- Note:
- 1. Soldered Area
 - 2. Solder Mask
 - 3. Clearance Area
 - 4. PCB Thickness 0.4mm

Note:

1. BOM No: 204411K0000XXA

Mated View



UNLESS OTHERWISE SPECIFIED TOLERANCES ON:	
.XX ± 5.0	.X ± 1.0
X ± 3.0	.XX ± 0.5
	.XXX ± 0.1

DATE: 2011/11/7	MAT'L: Brass
UNIT: mm	FINISH: Gold
THIRD ANGLE PROJECTION	SCALE: 4/1

APPROVED BY:	CHECKED BY:	DRAWN BY:	CUSTOMERS SIGNATURE / DATE
		Kiwi	

taoglas
antenna solutions
TW Design Centre
This drawing and its inherent design concepts are property of Taoglas. Not to be copied or given to third parties without the written consent of Taoglas.

REV	A
-----	---

TITLE: IPEX MHFIV Receptacle

PART NO: RECE.20449.001E.01