



Main

| | |
|----------------------|------------------------|
| Range of product | Magelis XBTR |
| Display resolution | 122 x 32 pixels |
| Software type | Configuration software |
| Software designation | Vijeo Designer Lite |
| Operating system | Windows |

Complementary

| | |
|-----------------------------|---|
| Display type | Matrix backlit LCD |
| Character font | Chinese (simplified Chinese) Cyrillic Greek Katakana Latin |
| Supply voltage limits | 18...30 V |
| Residual ripple | <= 1200 MV |
| Power consumption in W | <= 5 W |
| Number of key | 20 |
| Number of fixed keys | 8 |
| Number of customisable keys | 12 |
| Local signalling | 16 LEDs |
| Number of pages | 200 application pages 256 alarm pages |
| Memory type | Flash |
| Memory capacity | 512 kB |
| Integrated connection type | Serial link : female SUB-D 25, asynchronous transmission mode (RS232C/RS485) multidrop topology Power supply : removable screw terminal block Printer port : female mini DIN |
| Realtime clock | Access to the PLC real-time clock |
| Range compatibility | Modicon M340 Modicon Momentum Modicon Premium Modicon Quantum Modicon TSX Micro Twido |
| Product mounting | Flush mounting |
| Fixing mode | By 4 spring clips |
| Display material | Polyester |
| Front material | PPT |
| Keypad material | Polyester |
| Marking | CE |
| Height | 4.65 in (118 mm) |
| Width | 5.39 in (137 mm) |
| Depth | 1.54 in (39 mm) |
| Cut-out dimensions | 119.6 (+/- 0.5) x 105.2 (+/- 0.4) mm |
| Product weight | 1.21 lb(US) (0.55 kg) |

Environment

| | |
|---------------------------------------|---|
| product or component type | Small panel with keypad |
| display colour | Green Orange Red |
| messages display capacity | 1 line of 5 characters minimum 4 lines of 20 characters maximum |
| [Us] rated supply voltage | 24 V DC |
| supply | External source |
| downloadable protocols | Modbus Third party protocols Uni-TE |
| standards | IEC 60068-2-27 IEC 60068-2-6 IEC 61131-2 UL 508 CSA C22.2 No 14 |
| product certifications | ATEX zone 2/22 CSA Class 1 Division 2 UL Class 1 Division 2 UL 1604 |
| ambient air temperature for operation | 32...131 °F (0...55 °C) |
| ambient air temperature for storage | -4...140 °F (-20...60 °C) |
| relative humidity | 0...85 % without condensation |
| IP degree of protection | IP20 (rear panel) conforming to IEC 60529 IP65 (front panel) conforming to IEC 60529 |
| NEMA degree of protection | NEMA 4X (front panel) outdoor use |
| shock resistance | 15 gn 11 ms |
| vibration resistance | +/- 3.5 mm (f = 2...8.45 Hz) 1 gn (f = 8.45...150 Hz) |

Offer Sustainability

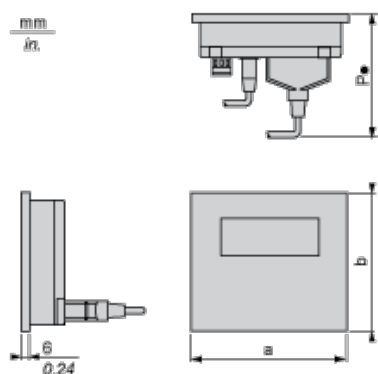
WARNING: Cancer and Reproductive Harm -
www.P65Warnings.ca.gov

WARNING: Cancer and Reproductive Harm - www.P65Warnings.ca.gov

Contractual warranty

| | |
|-----------------|-----------|
| Warranty period | 18 months |
|-----------------|-----------|

Dimensions



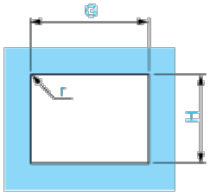
| a | | a1 (1) | | b | | b1 (1) | | P3 (2) | | P4 (3) | |
|-----|------|--------|------|-----|-----|--------|-----|--------|------|--------|------|
| mm | in. | mm | in. | mm | in. | mm | in. | mm | in. | mm | in. |
| 137 | 5.39 | 160 | 6.29 | 118 | 5 | 146 | 6 | 58 | 2.28 | 104 | 4.09 |

(1) With fixing clips (included with product)

(2) P3: depth with 25-way SUB-D angled cable XBTZ9680 (for Twido, TSX Micro and Premium) or XBTZ998 (for Modicon STB)

(3) P4: depth with 25-way SUB-D cable XBTZ68/Z9681 (for Twido, TSX Micro and Premium)

Cut-out for Flush Mounting



Panel thickness = 1.5...6 mm / 0.05...0.23 in.

| H | | G | | r max. | |
|---------|-----------|---------|-----------|--------|------|
| ±0.4 mm | ±0.02 in. | ±0.5 mm | ±0.02 in. | mm | in. |
| 105.2 | 4.14 | 119.6 | 5 | 1.5 | 0.05 |